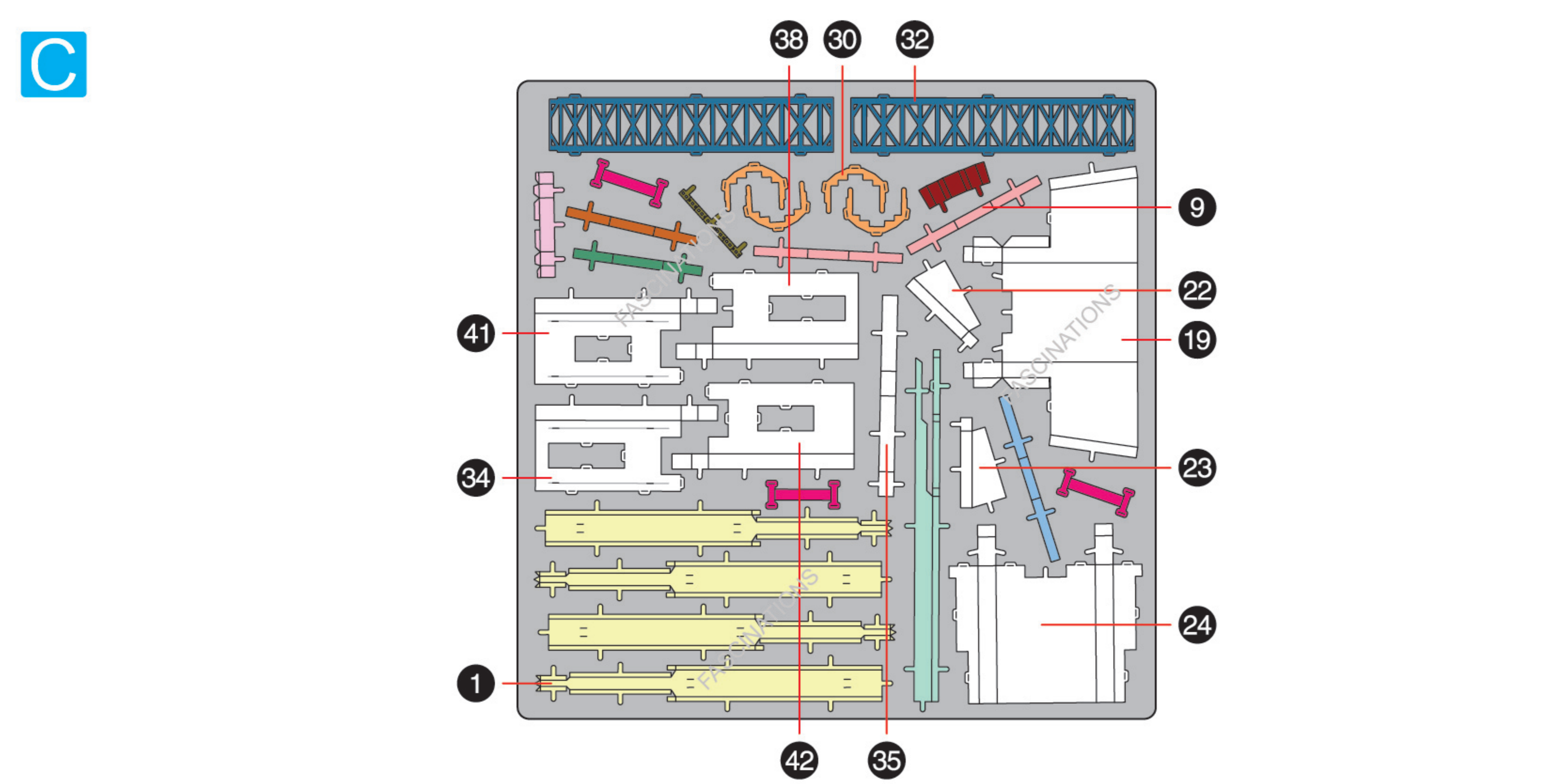
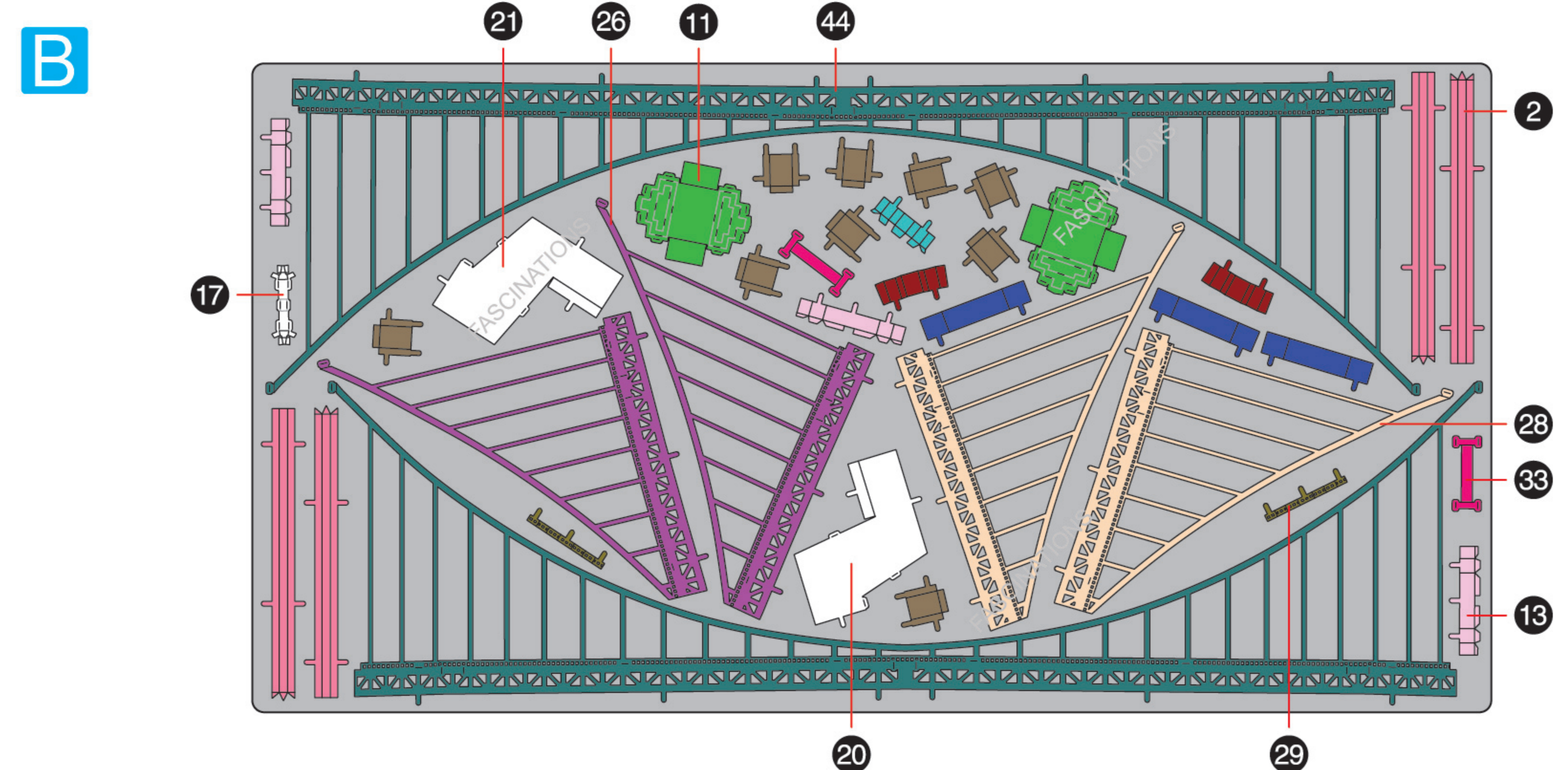
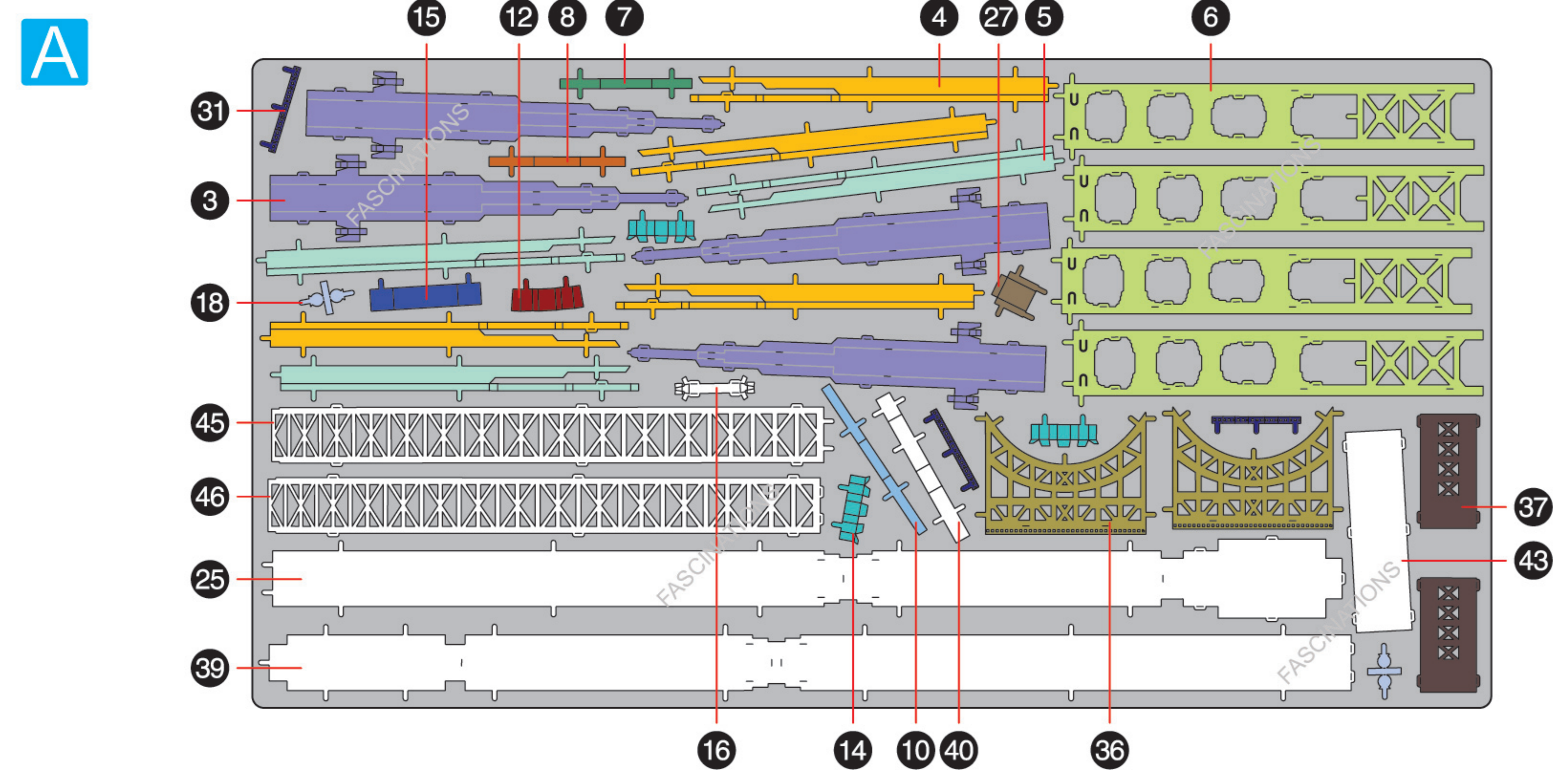


Go to www.metalearth.com/360/PS2013 to see the zoomable PDF version of this instruction sheet

METAL SHEETS

Parts with same color are duplicates



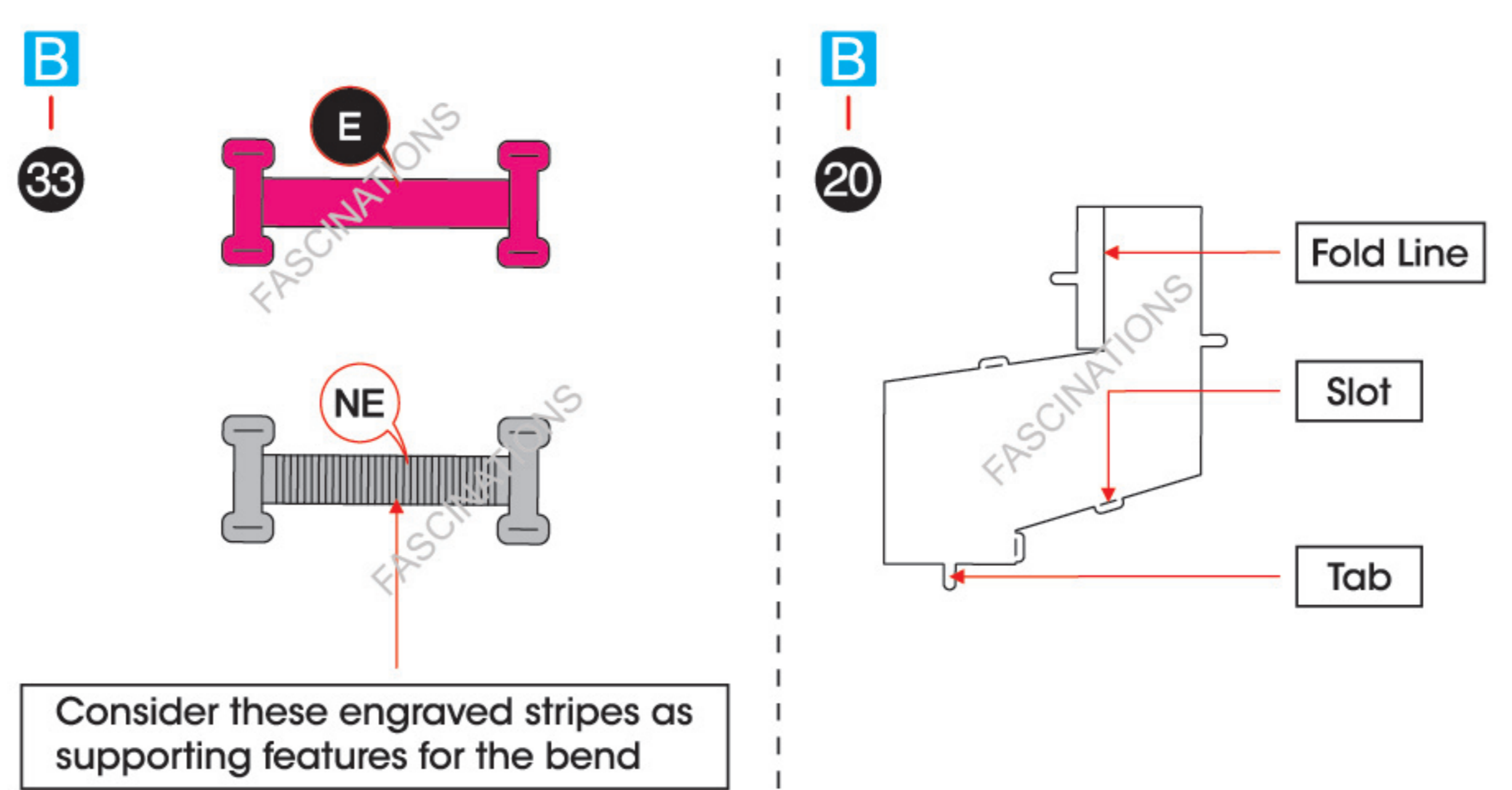
It is highly recommended that you visit www.metalearth.com/360/PS2013 to see the completed model before assembling your own

Premium Series

PS2013 GOLDEN GATE BRIDGE



TO CREATE THE BEST CONNECTIONS



Consider these engraved stripes as supporting features for the bend

! In order to avoid possible injury from sharp edges, please carefully discard the metal sheets after parts have been removed.

Legends:

- E** Engraved / Color side
- NE** Non - engraved / Silver side
- !** Attention point
- Insert tab and bend 90 degrees
- ▲** Insert tab and twist 90 degrees

Assembly tip:

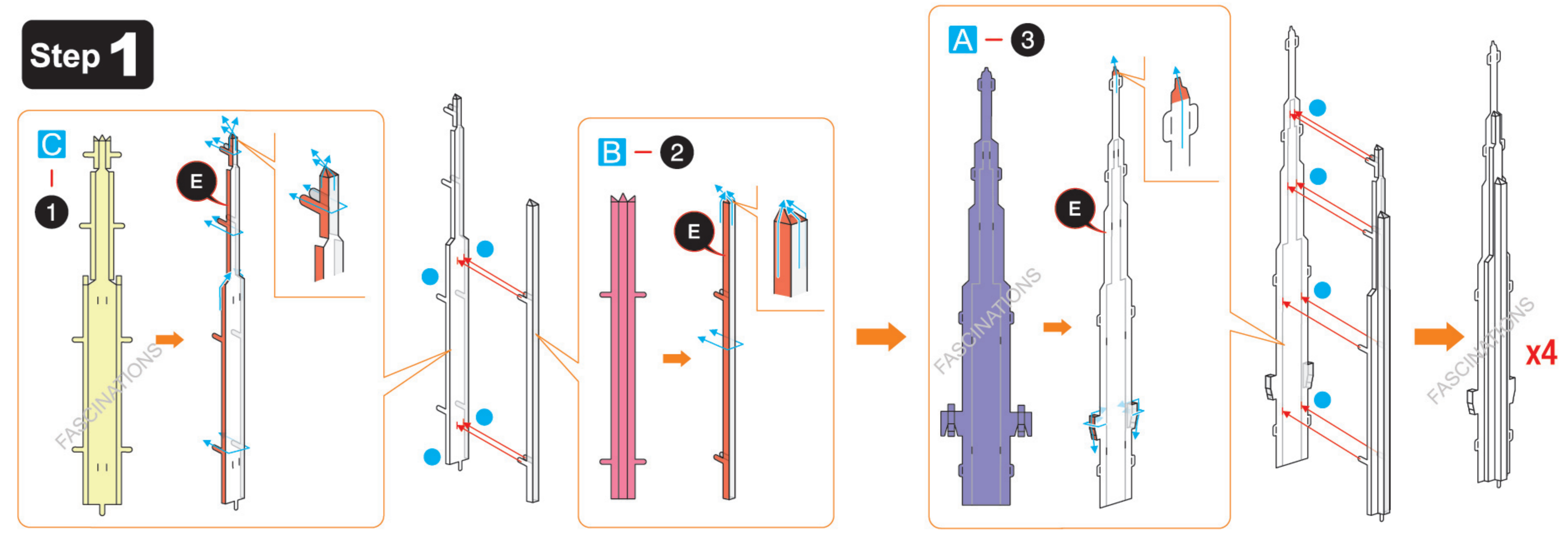
If needed, slightly twist tabs to hold parts together then untwist and bend them down for a nice finish.

- Yellow** areas should be curled
- Red** areas should be folded

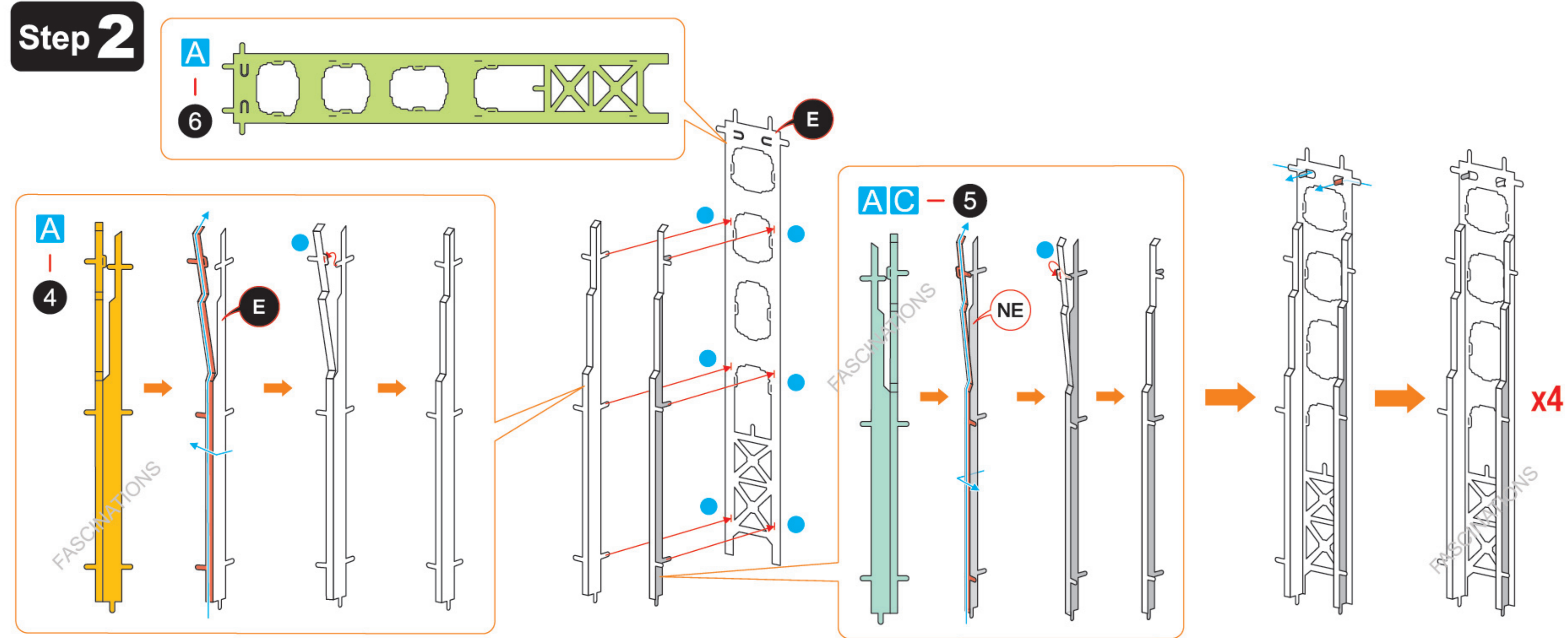
Recommended tools:

- Wire cutters: helpful for taking parts from the metal sheets.
- Tweezers or needle nose pliers: helpful for folding parts, bending and twisting tabs.

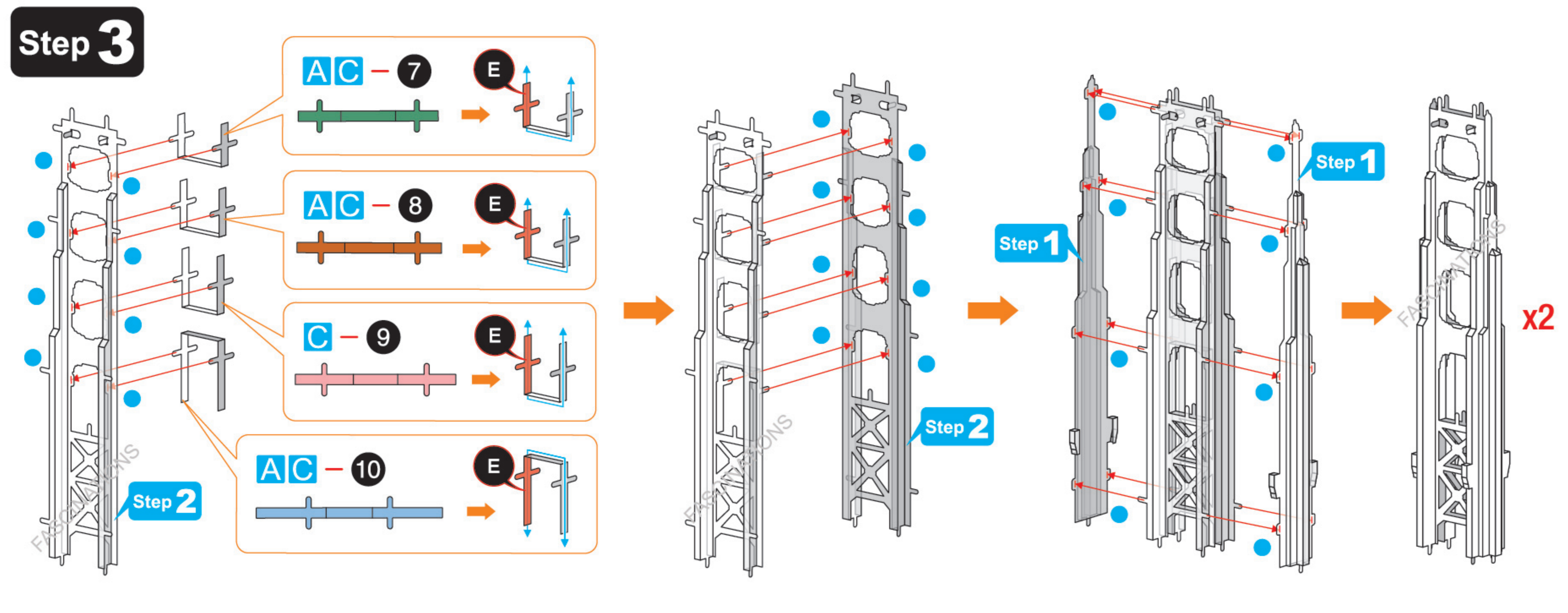
ASSEMBLY FLOW CHART



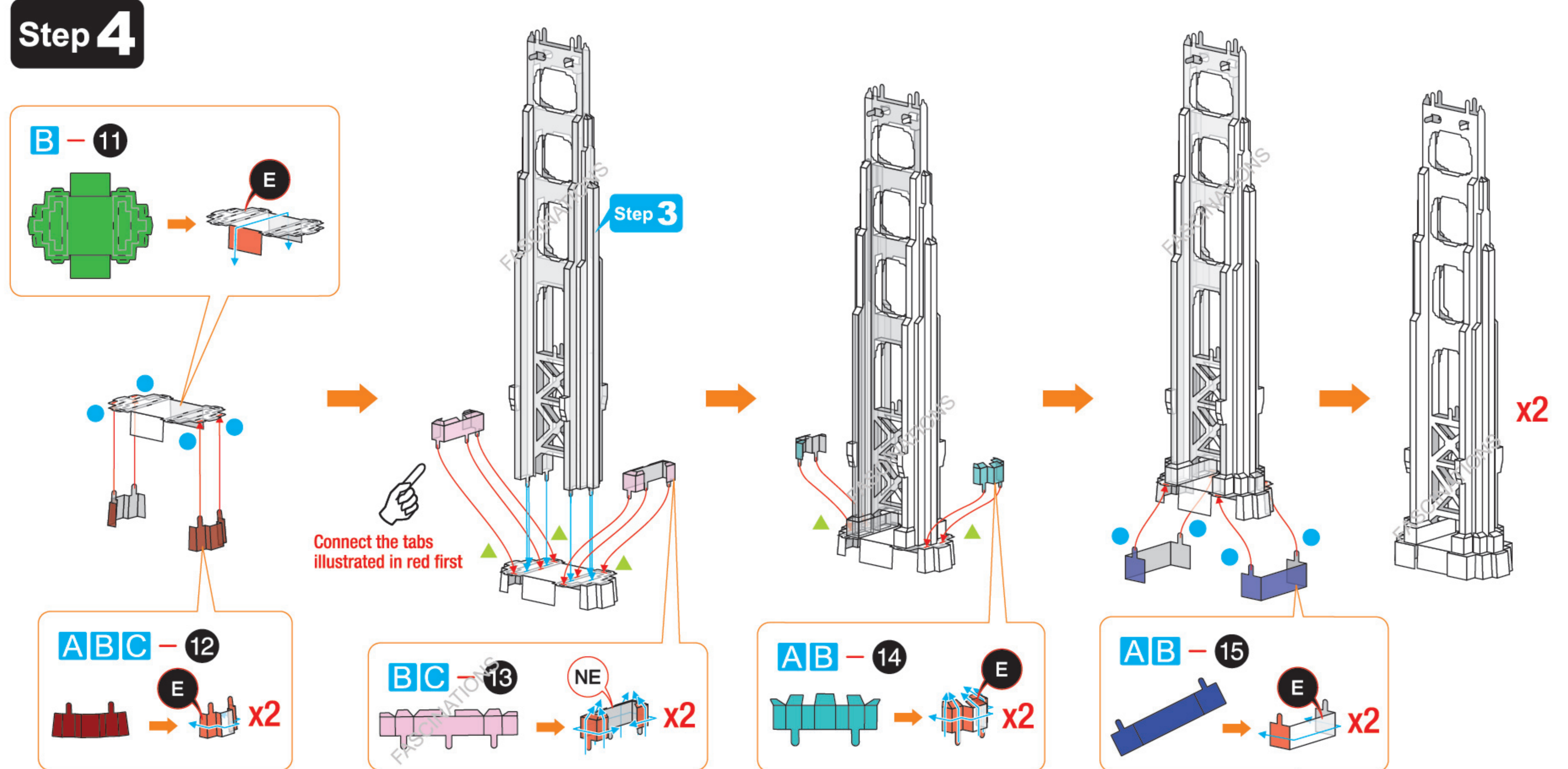
Step 2



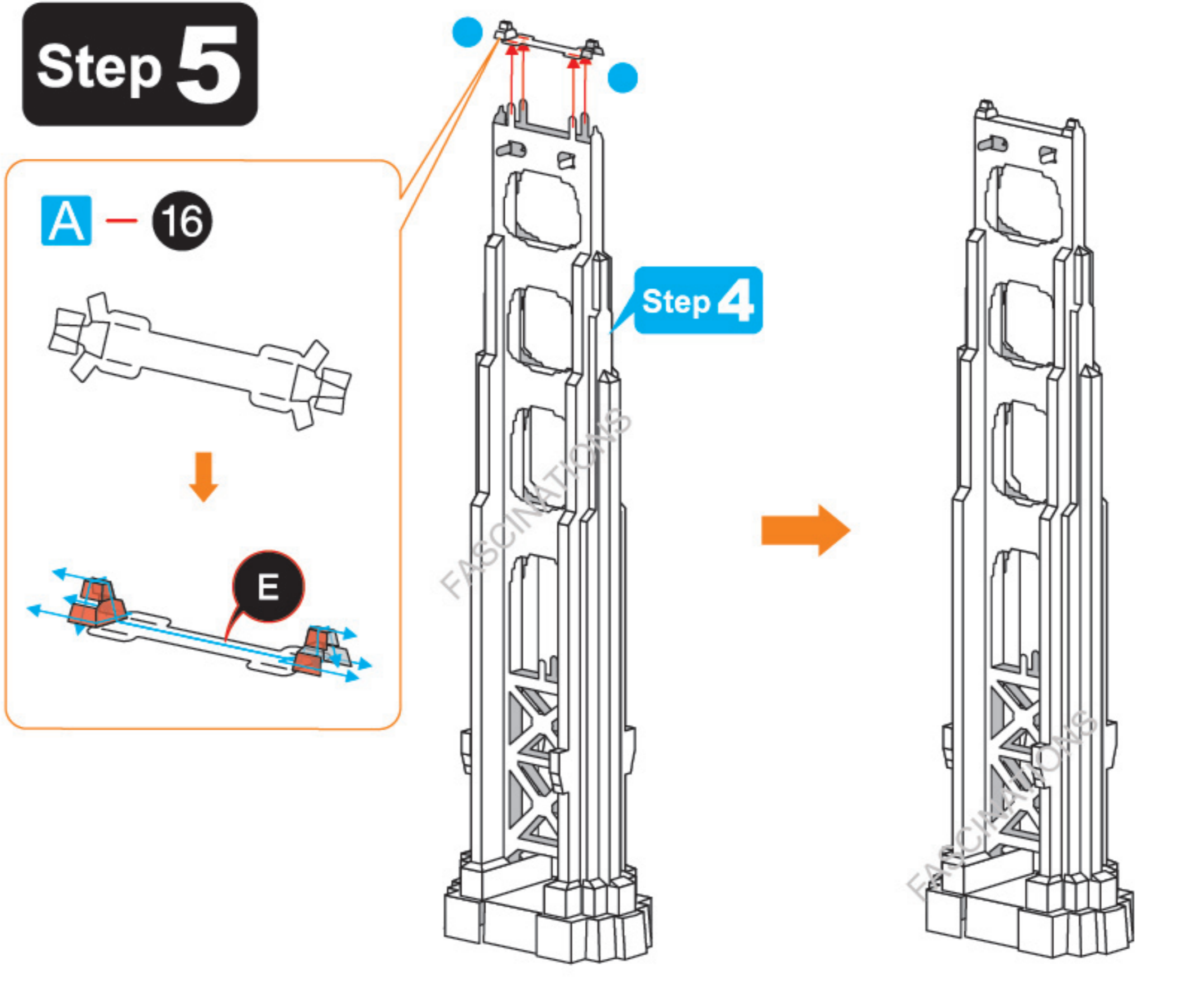
Step 3



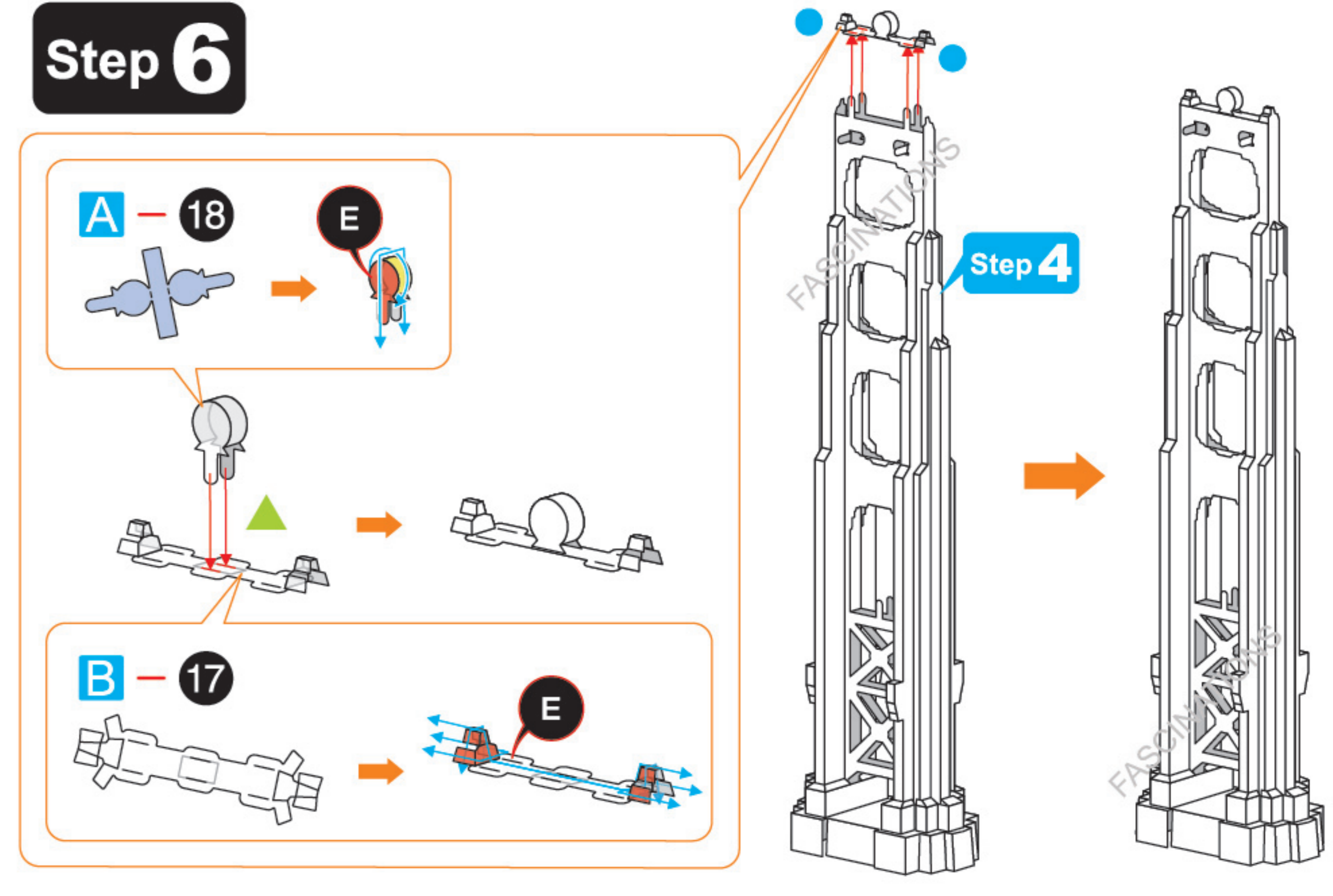
Step 4



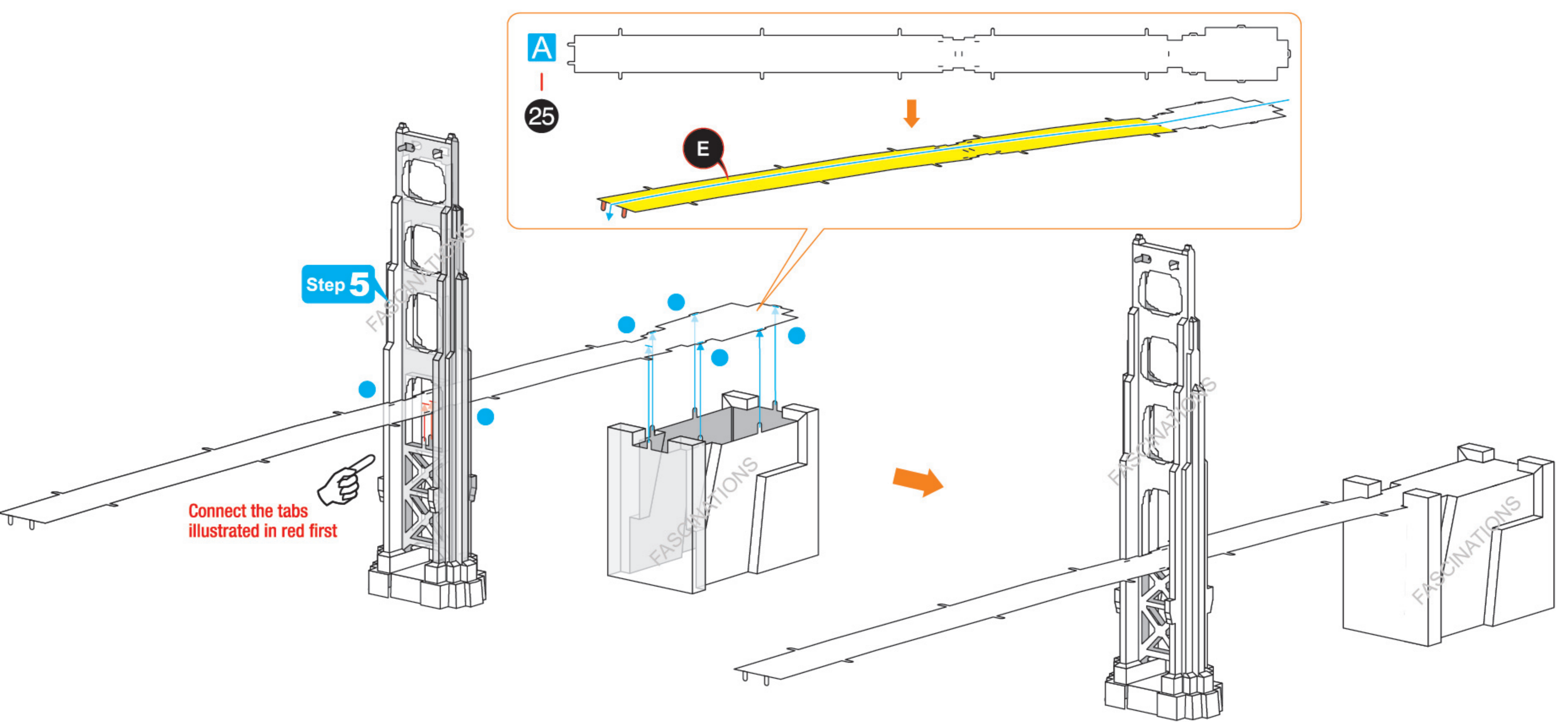
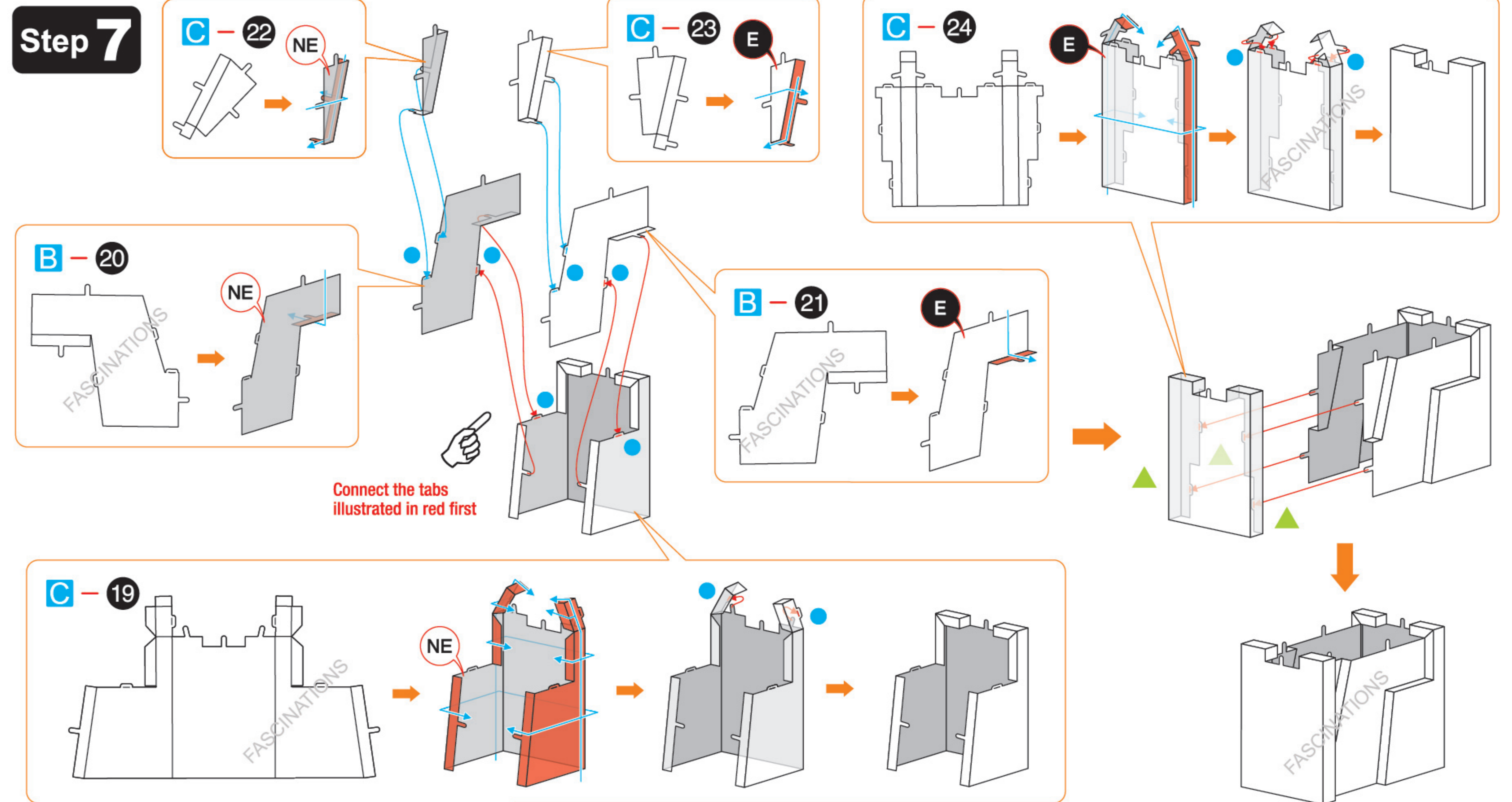
Step 5



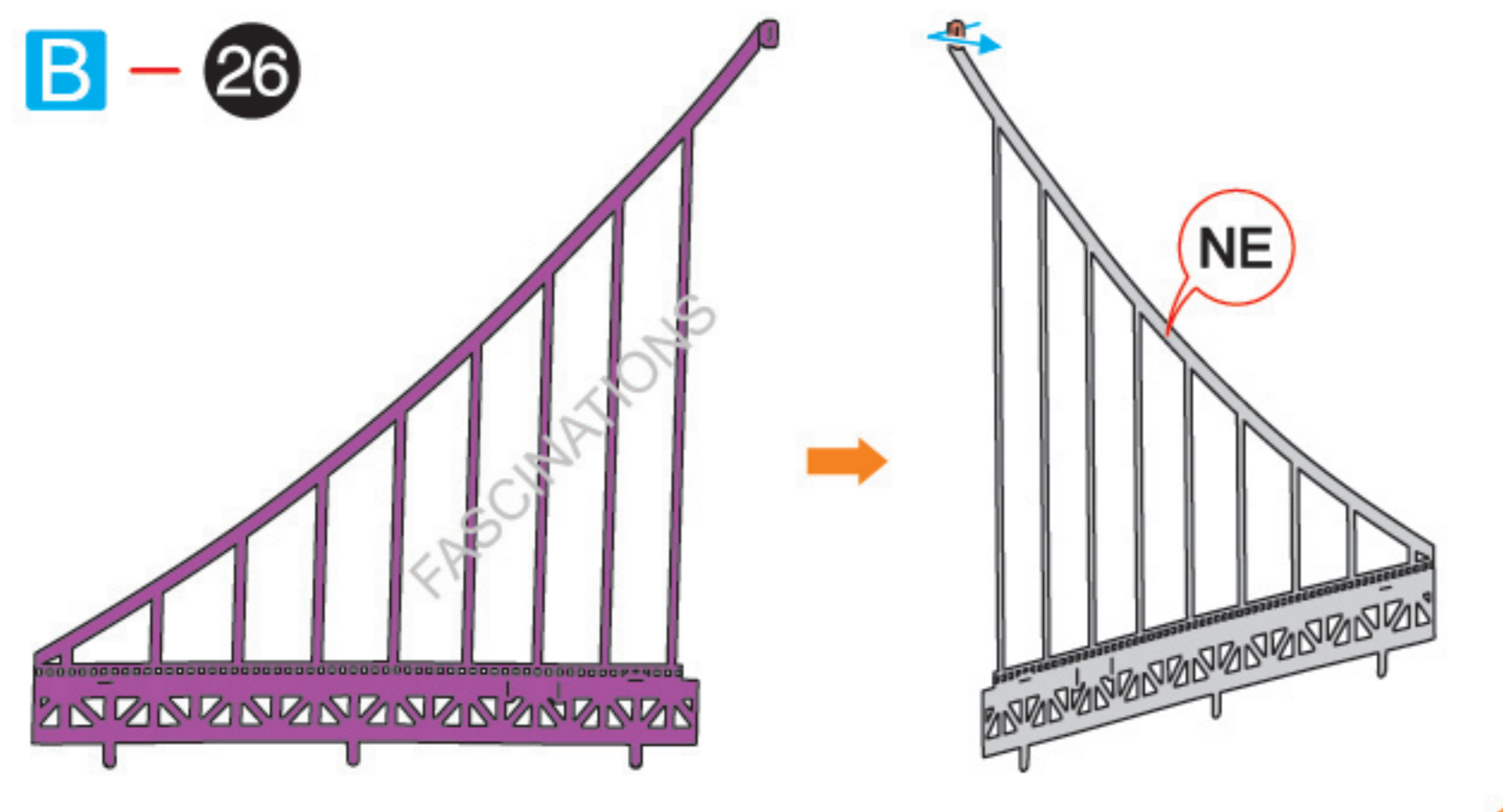
Step 6



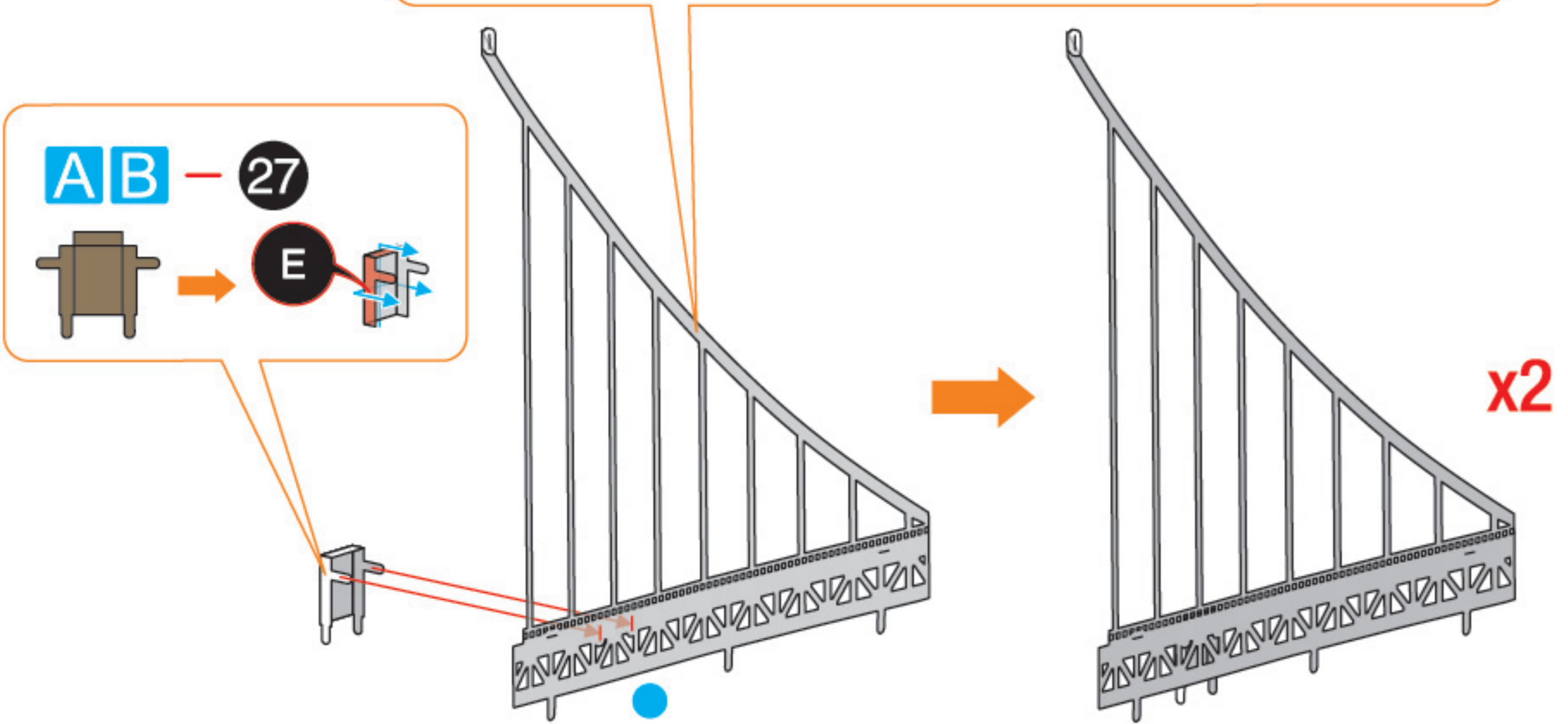
Step 7



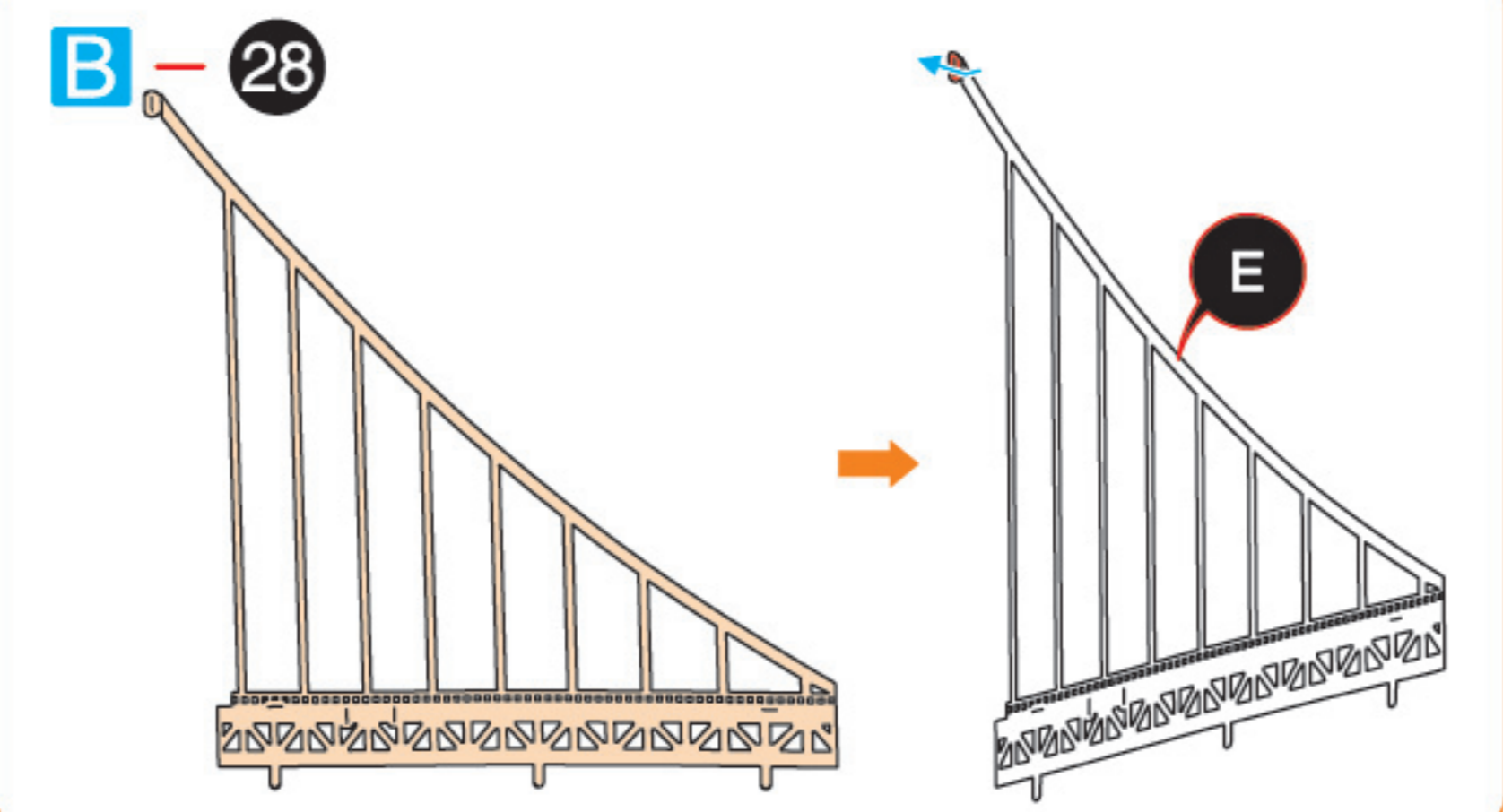
Step 8



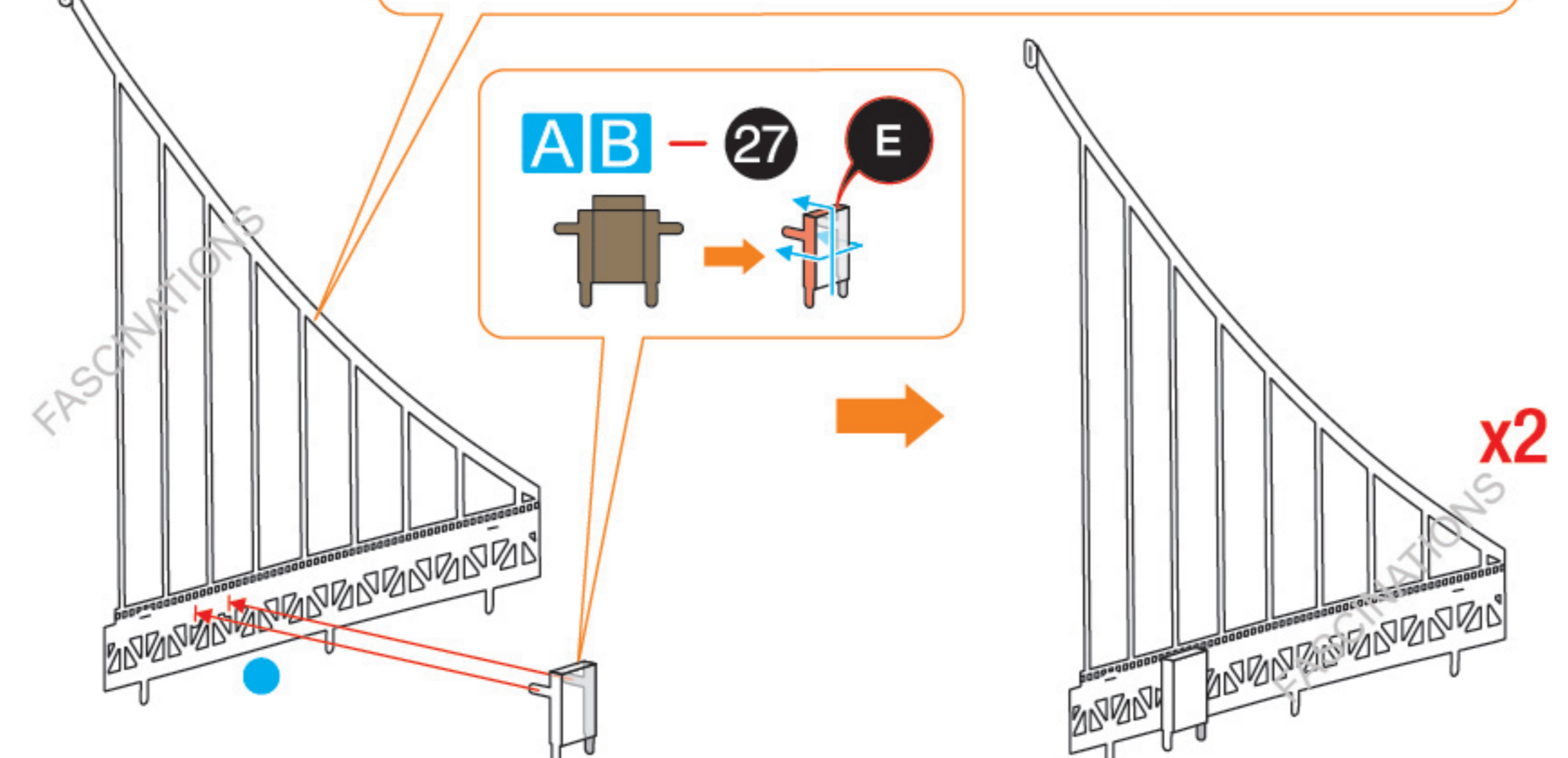
AB-27



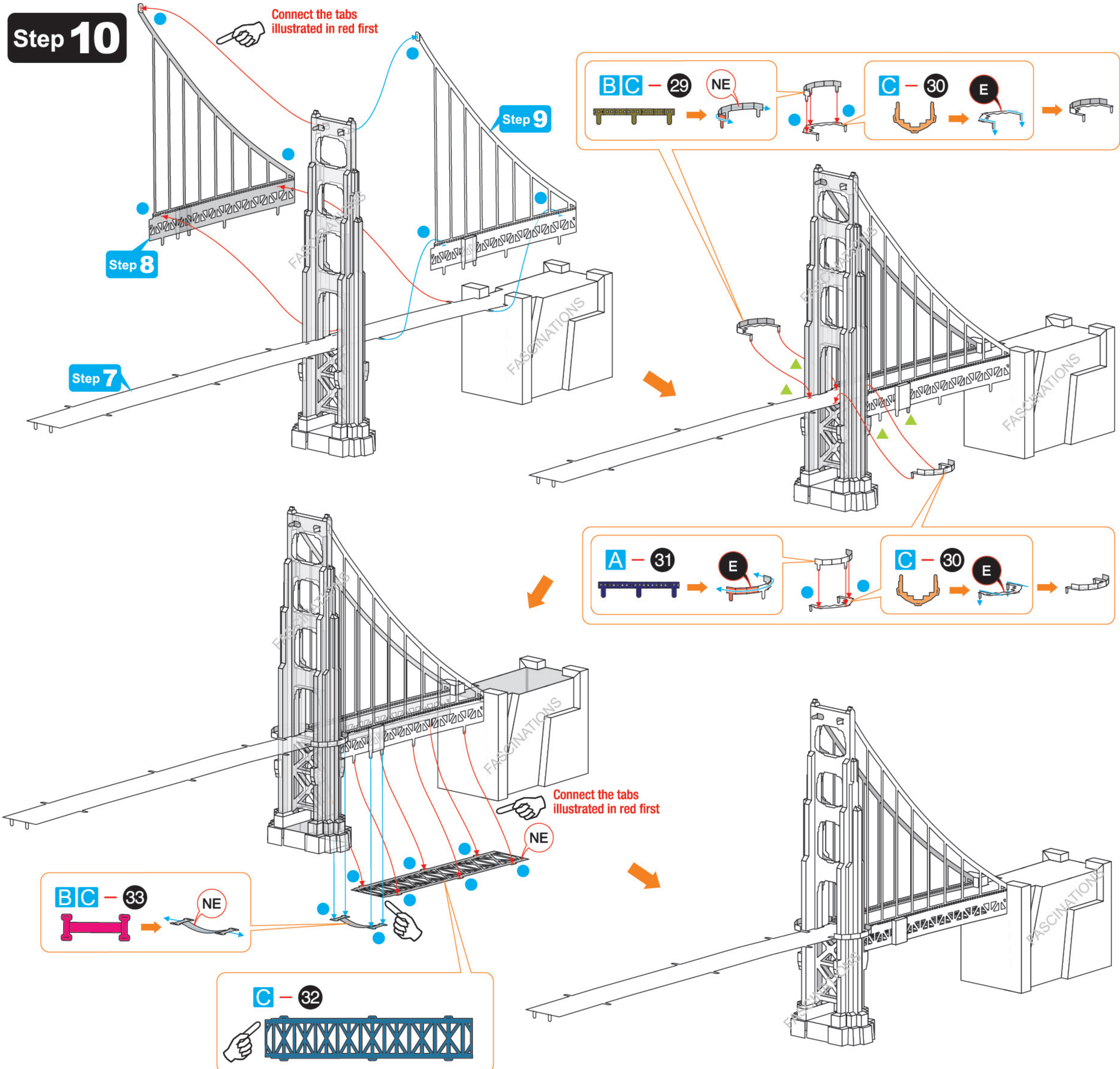
Step 9



AB-27



Step 10



Step 11

