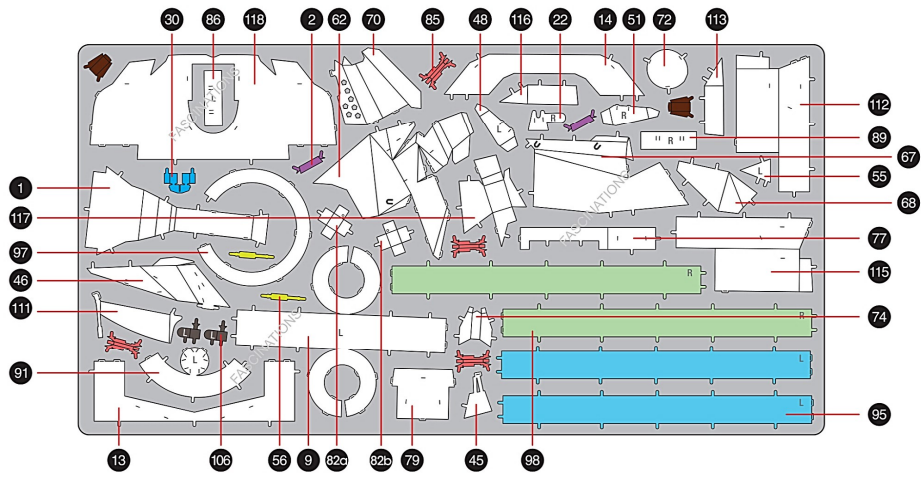


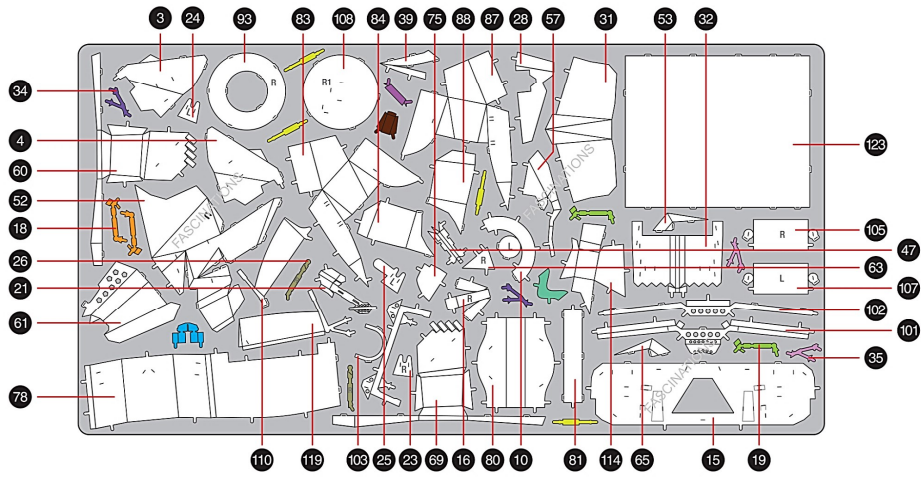
METAL SHEETS

Parts with same color are duplicates

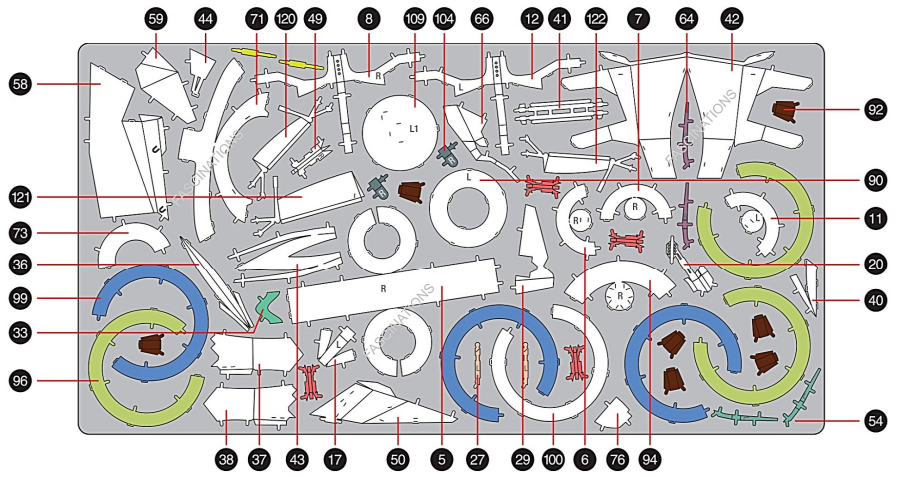
A



B



C



Metal Earth

360° view

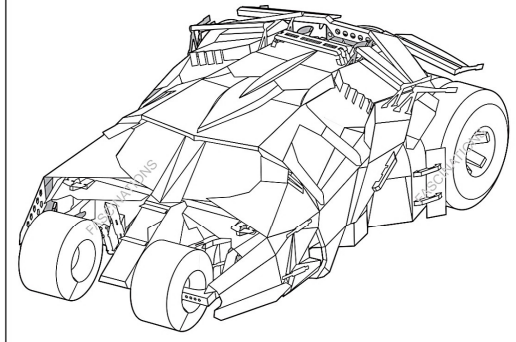


It is highly recommended that you visit www.metal-earth.com/360/PS2006 to see the completed model before assembling your own

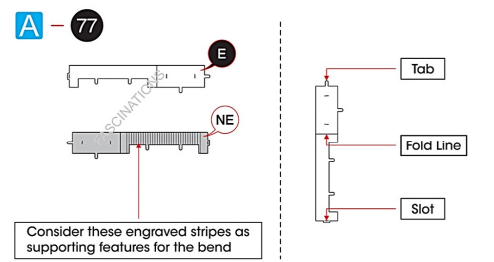


Premium Series

PS2006 BATMAN TUMBLER™

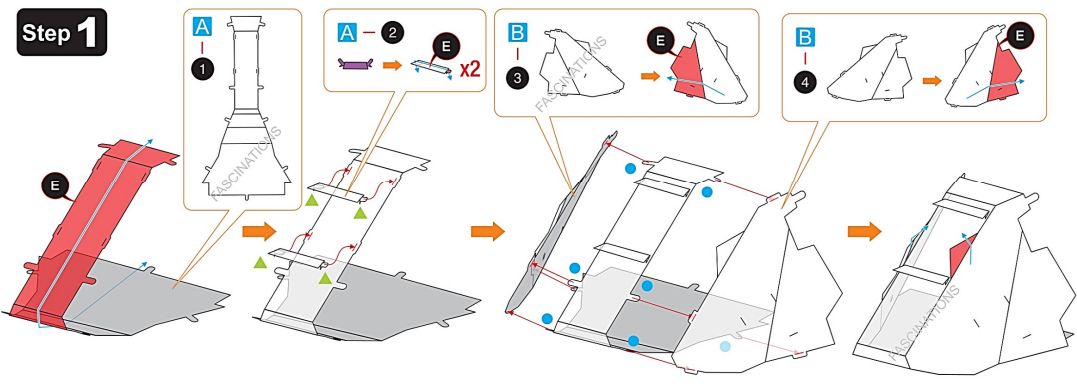


TO CREATE THE BEST CONNECTIONS

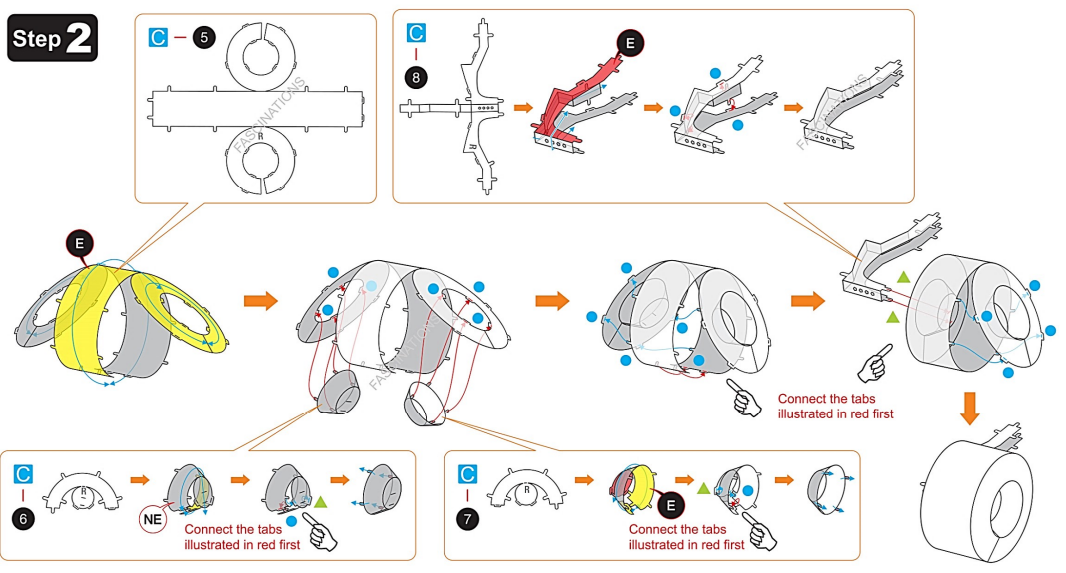


- Legends:**
- E** Engraved/ Color side
 - NE** Non - engraved/ Silver side
 - Attention point**
 - Insert tab and bend 90 degrees**
 - Insert tab and twist 90 degrees**
- Recommended tools:**
- Wire cutters: helpful for taking parts from the metal sheets.
 - Tweezers or needle nose pliers: helpful for folding parts, bending and twisting tabs.
- Assembly tip:**
- Yellow areas should be curled
 - Red areas should be folded
- Warning:** In order to avoid possible injury from sharp edges, please carefully discard the metal sheets after parts have been removed.

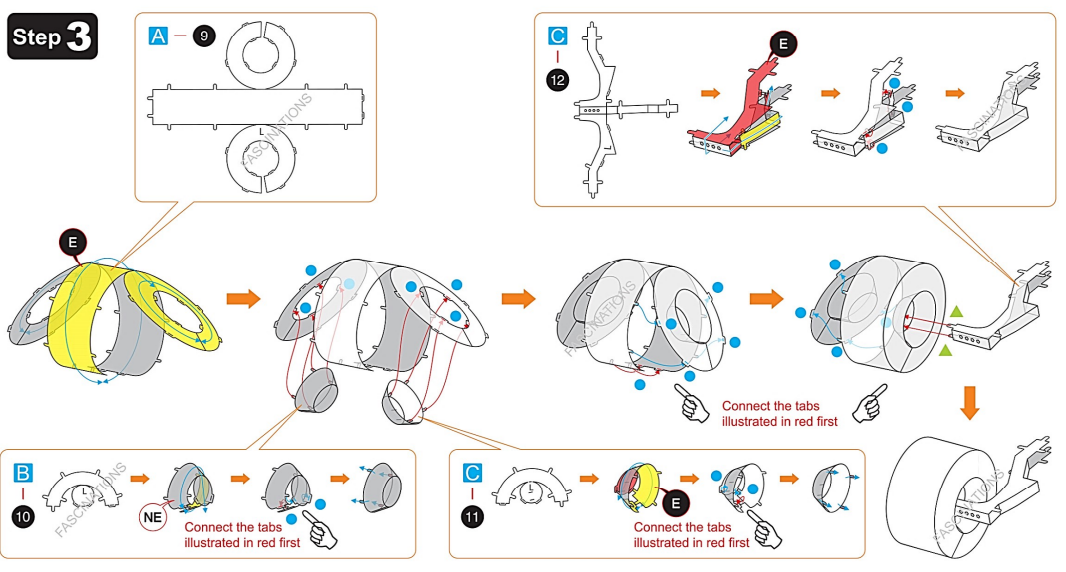
ASSEMBLY STEPS



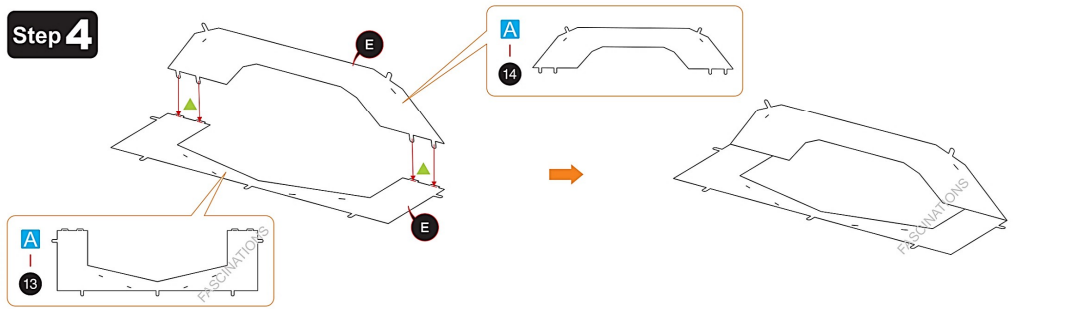
Step 2



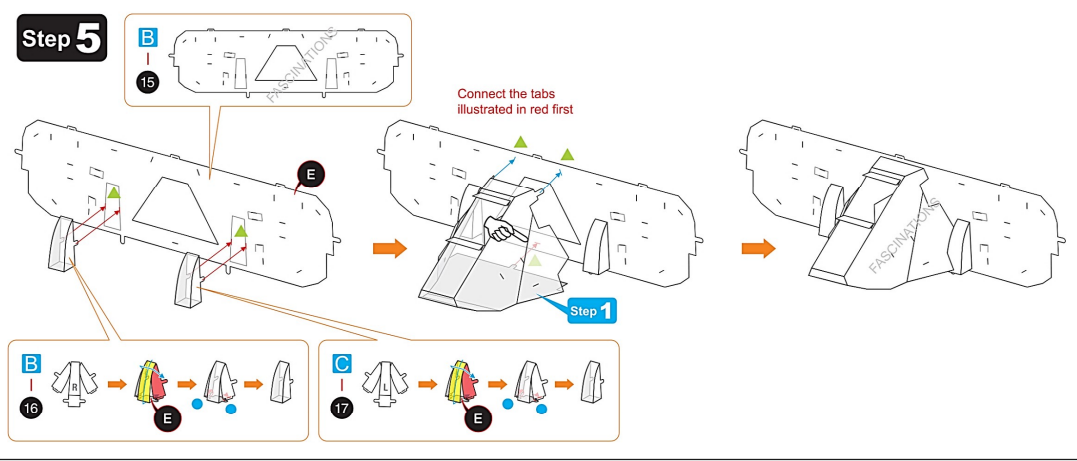
Step 3



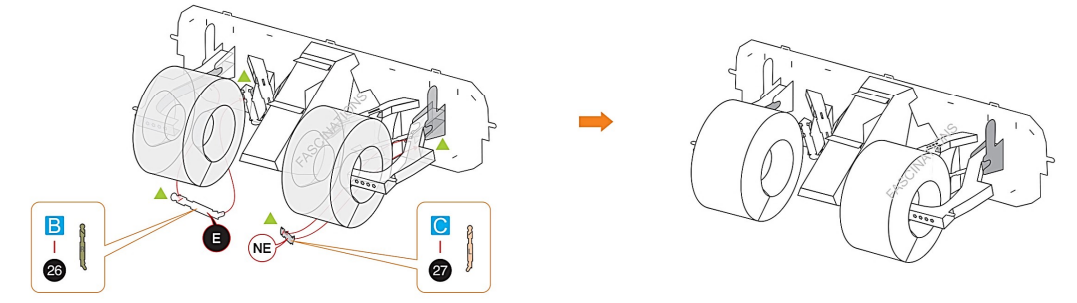
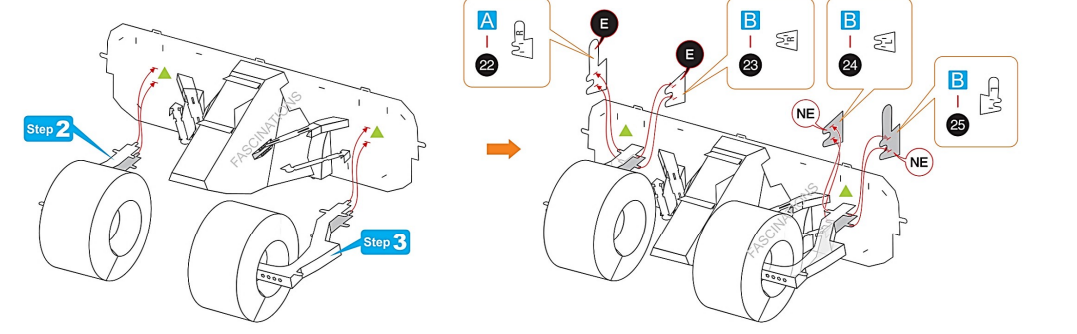
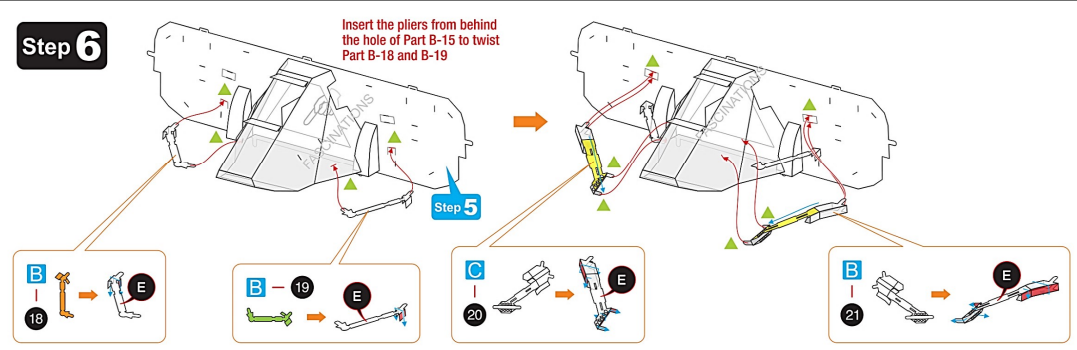
Step 4



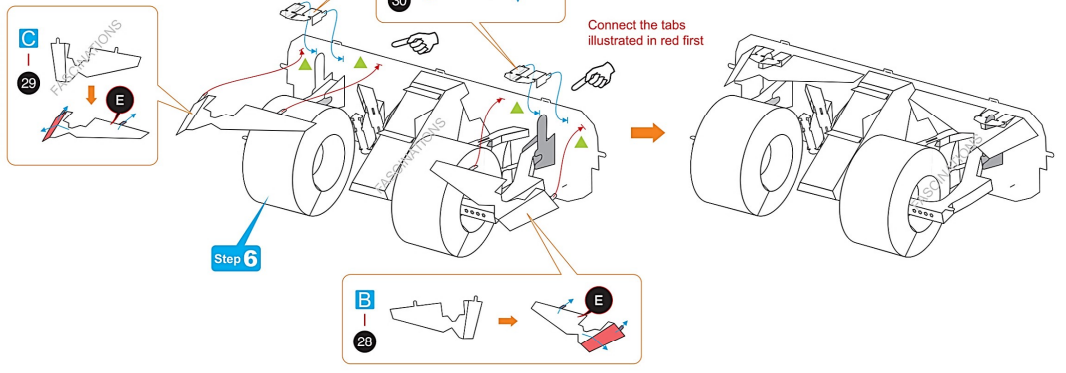
Step 5



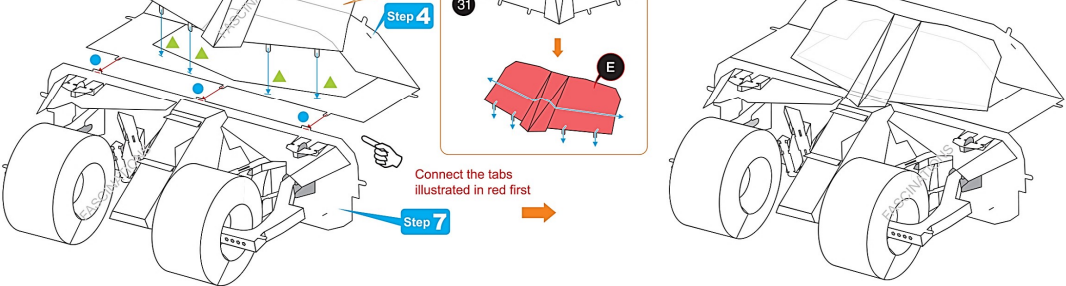
Step 6



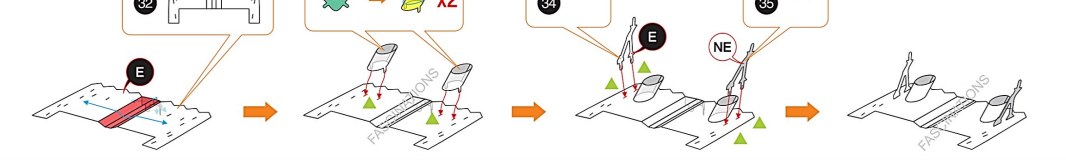
Step 7



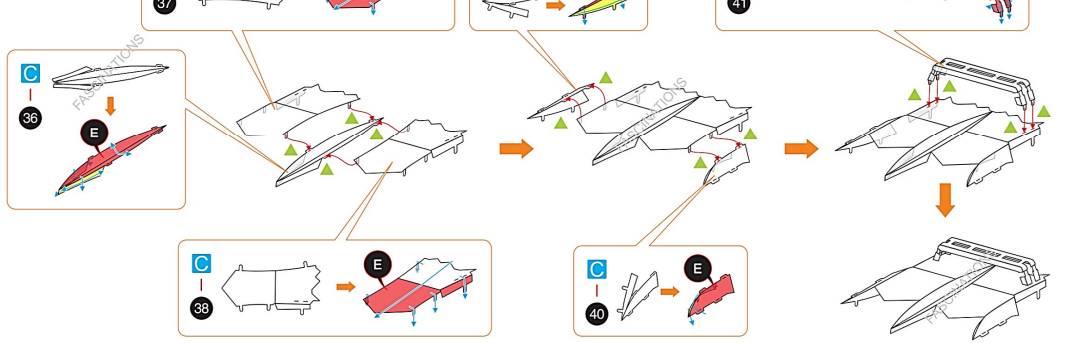
Step 8



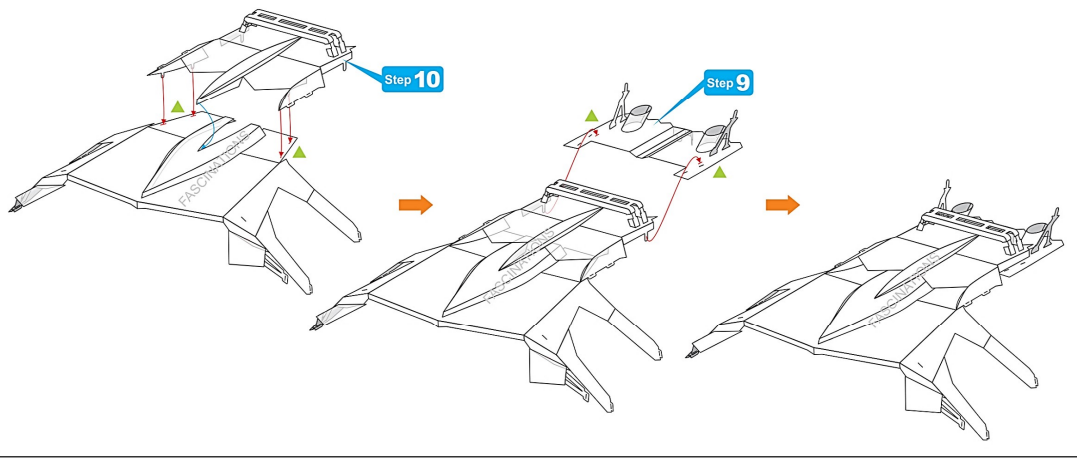
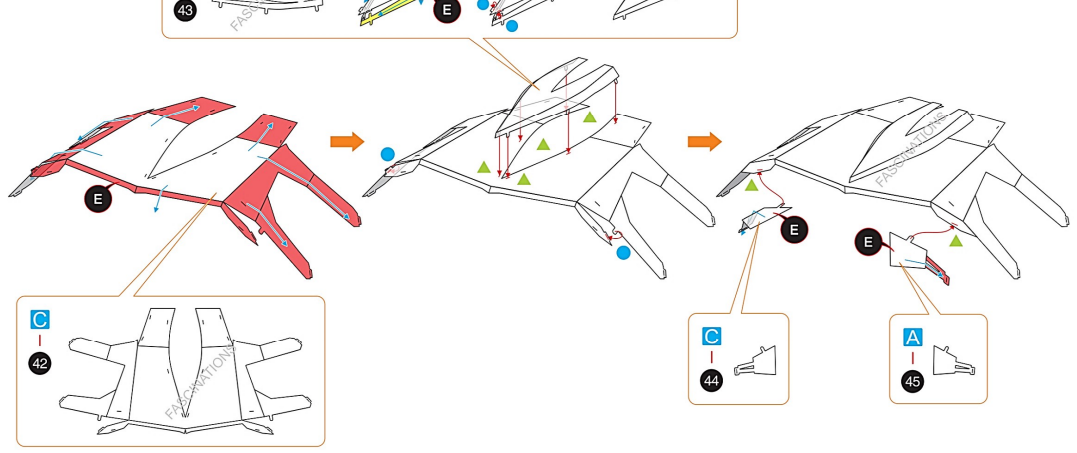
Step 9



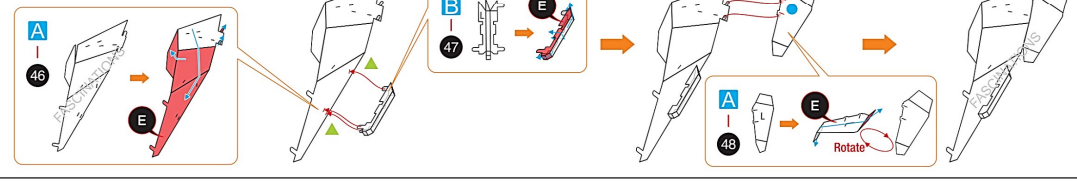
Step 10



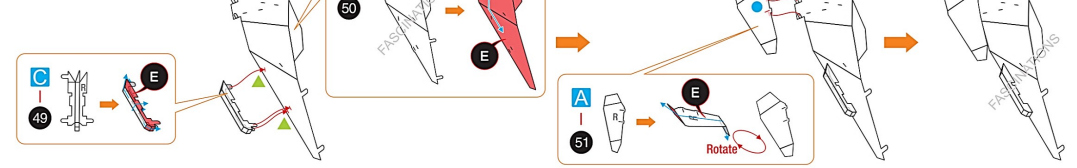
Step 11



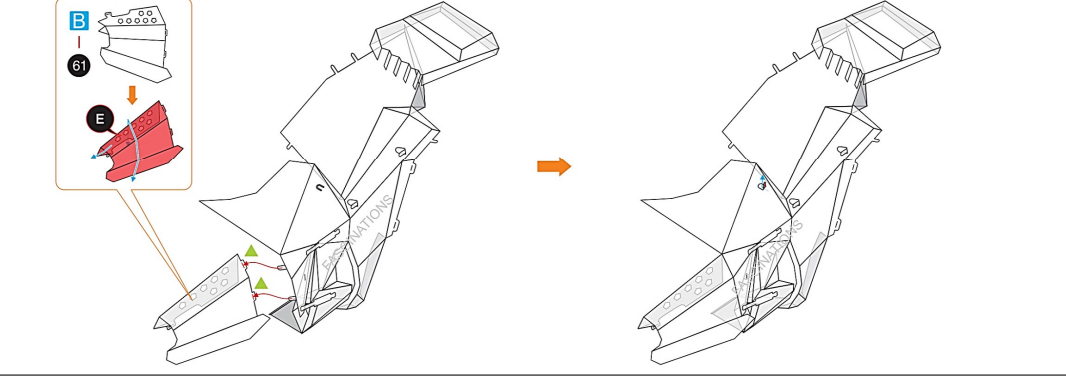
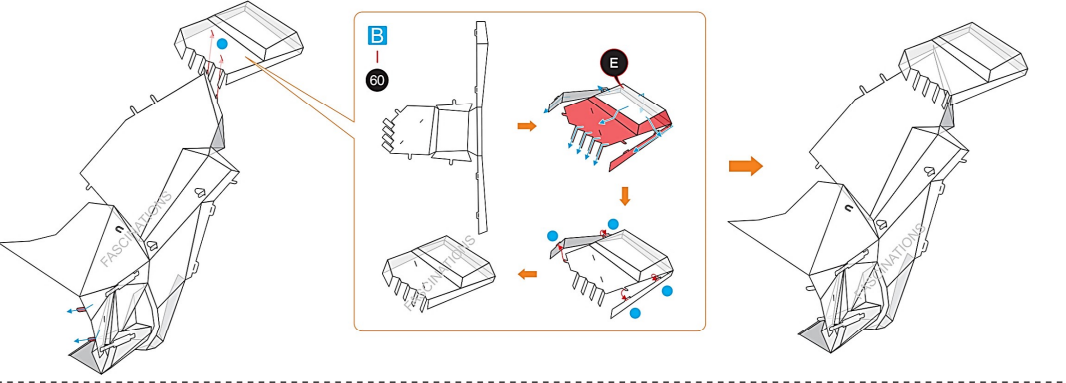
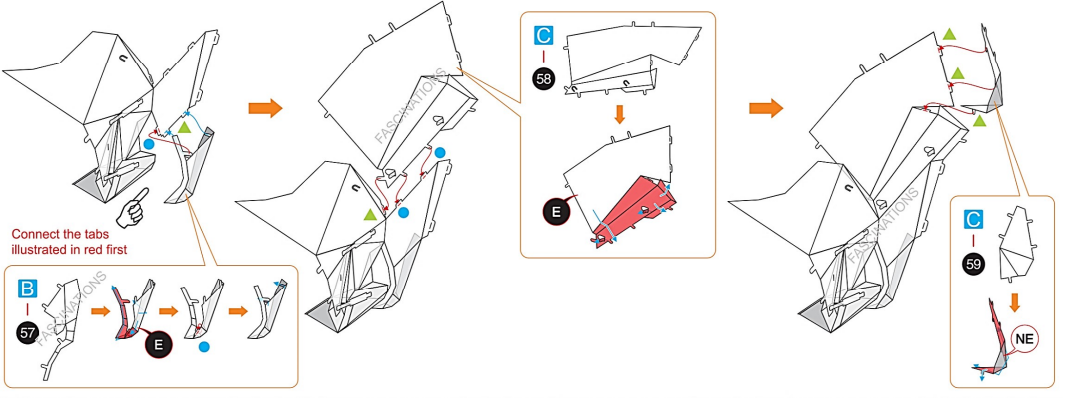
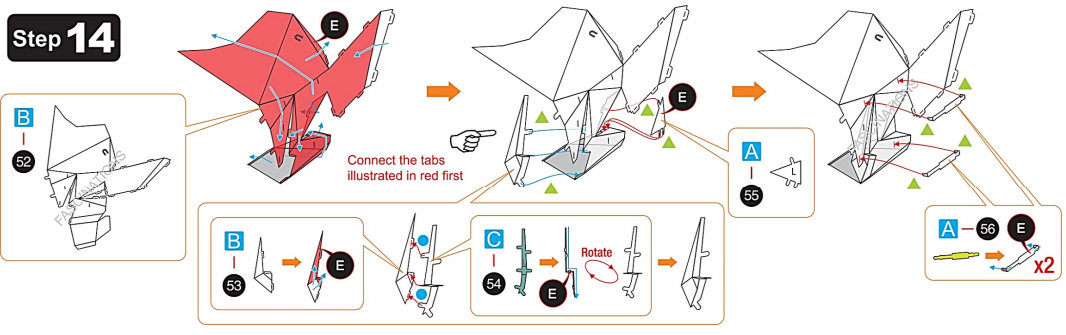
Step 12



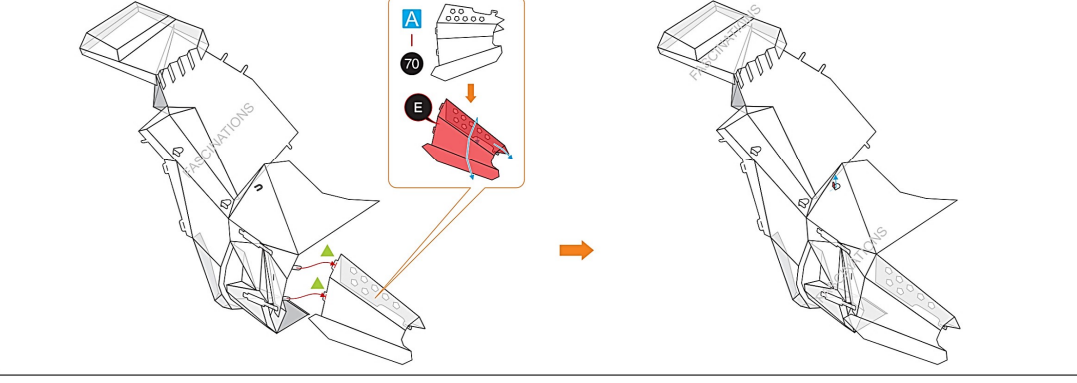
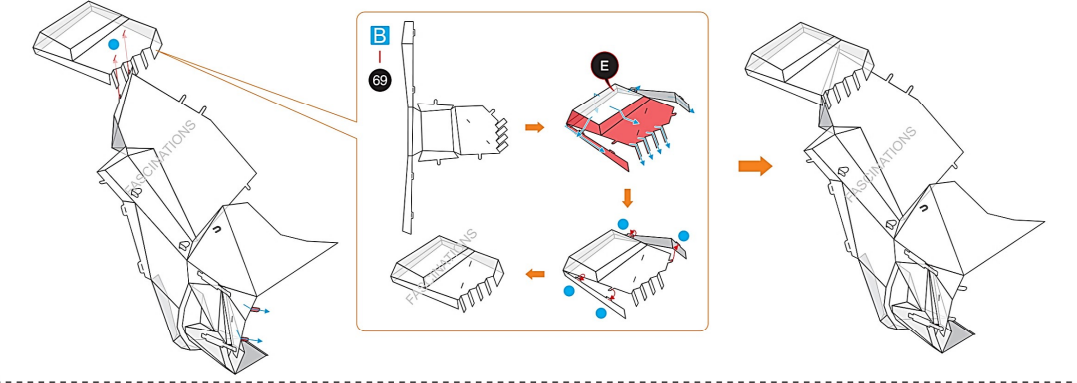
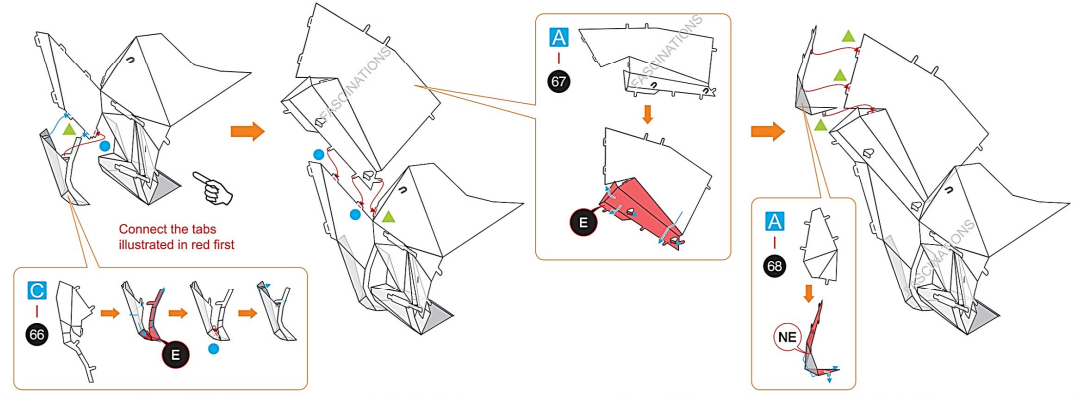
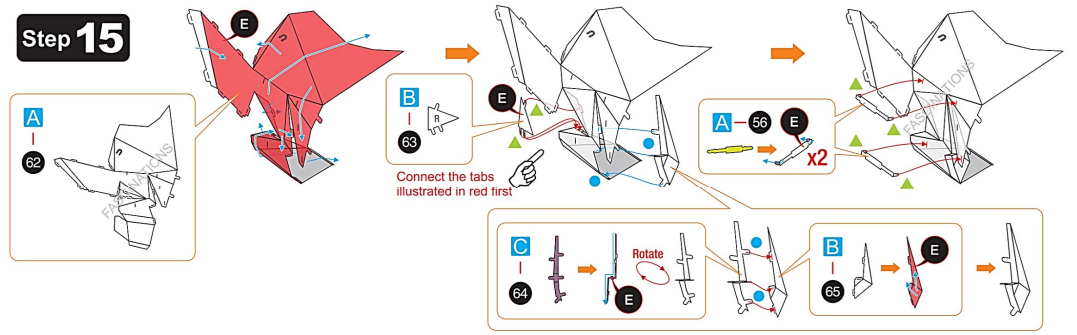
Step 13



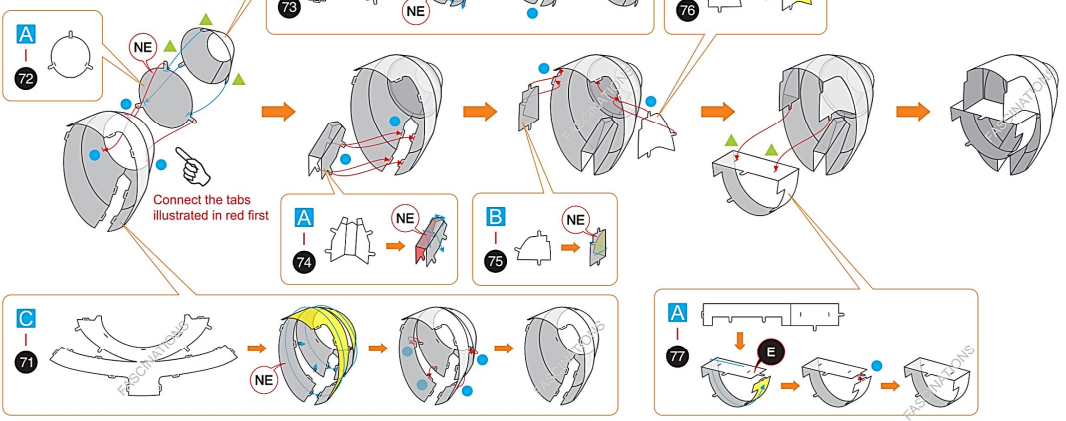
Step 14



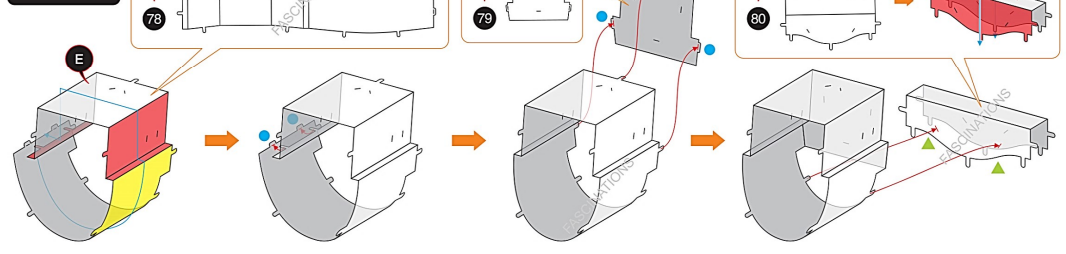
Step 15



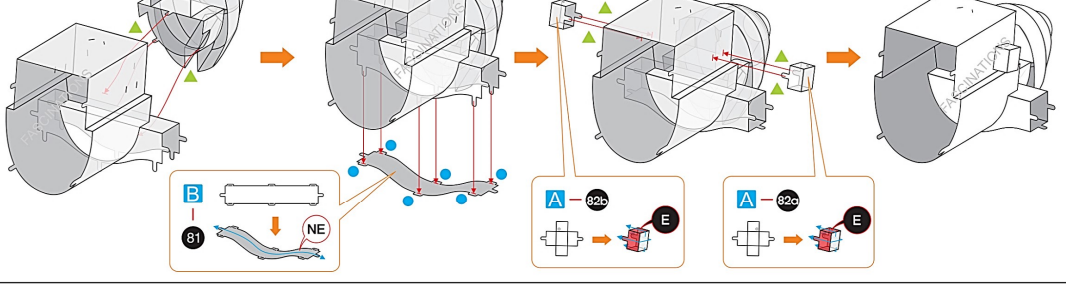
Step 16



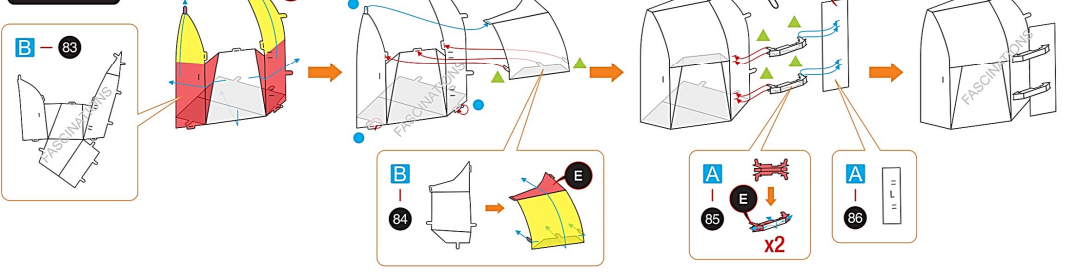
Step 17



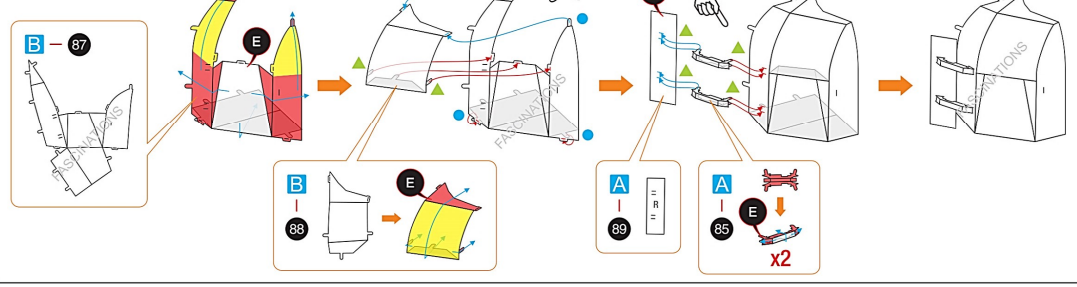
Step 16



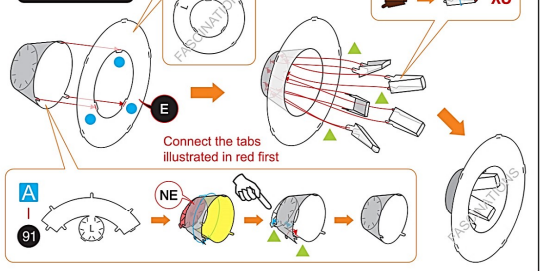
Step 18



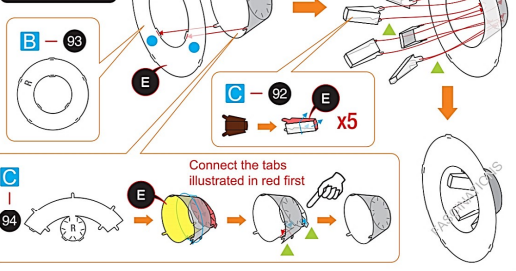
Step 19



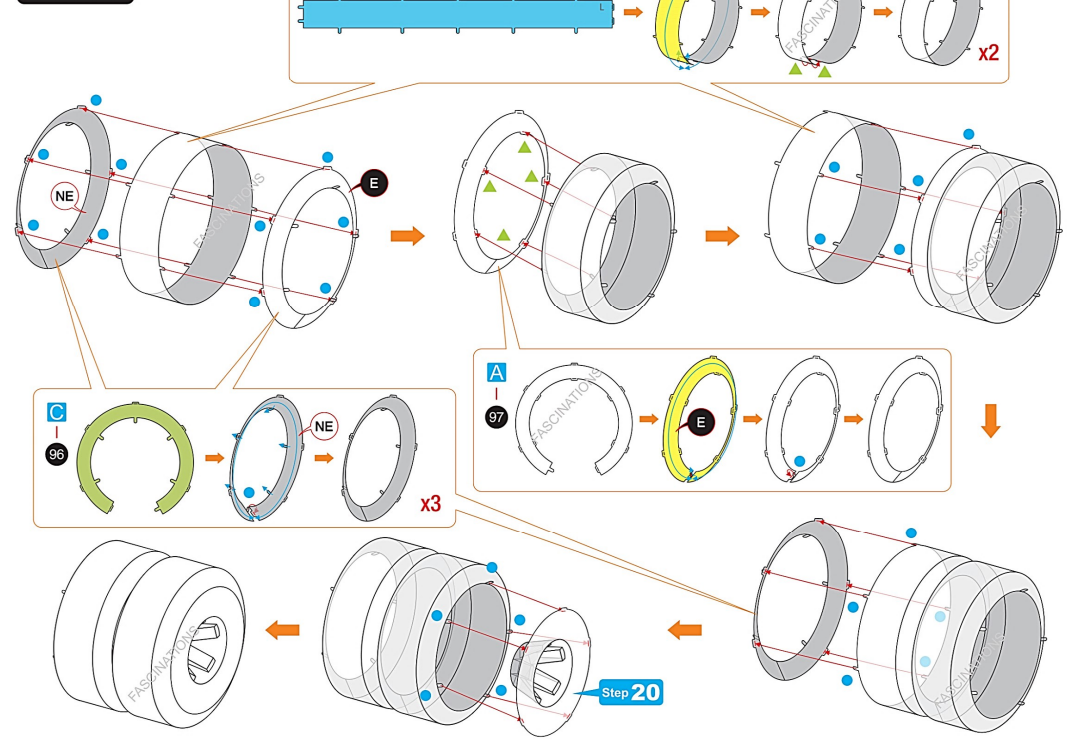
Step 20



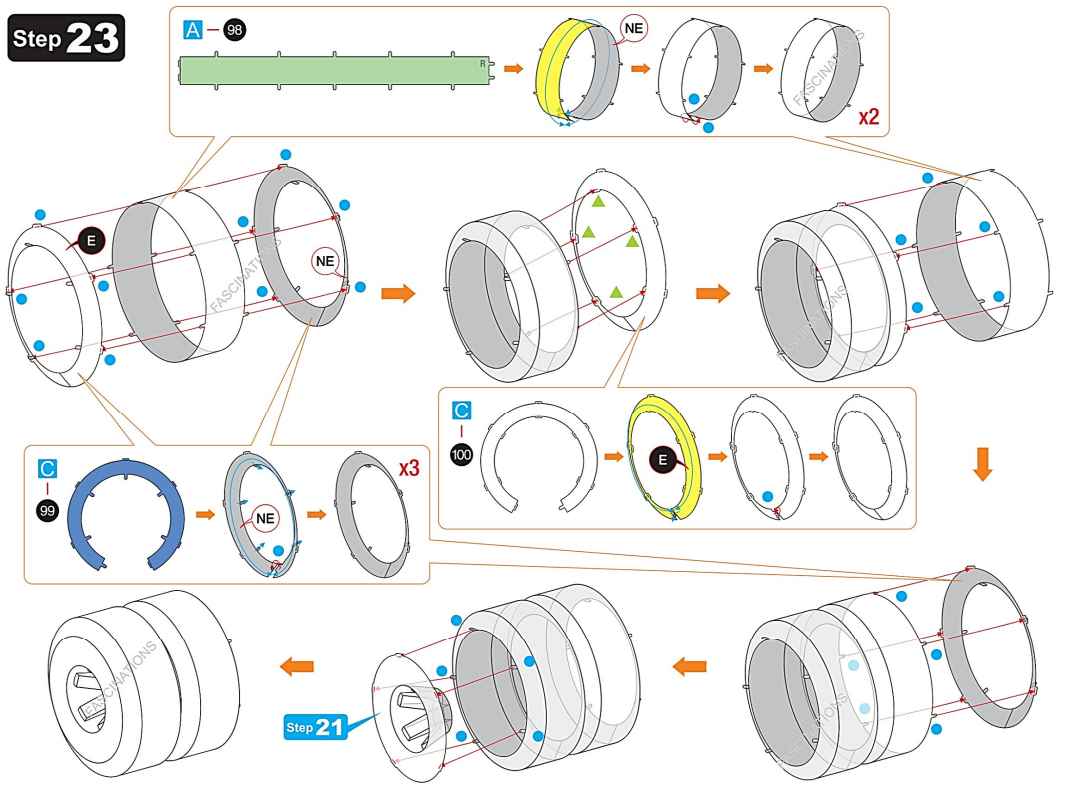
Step 21



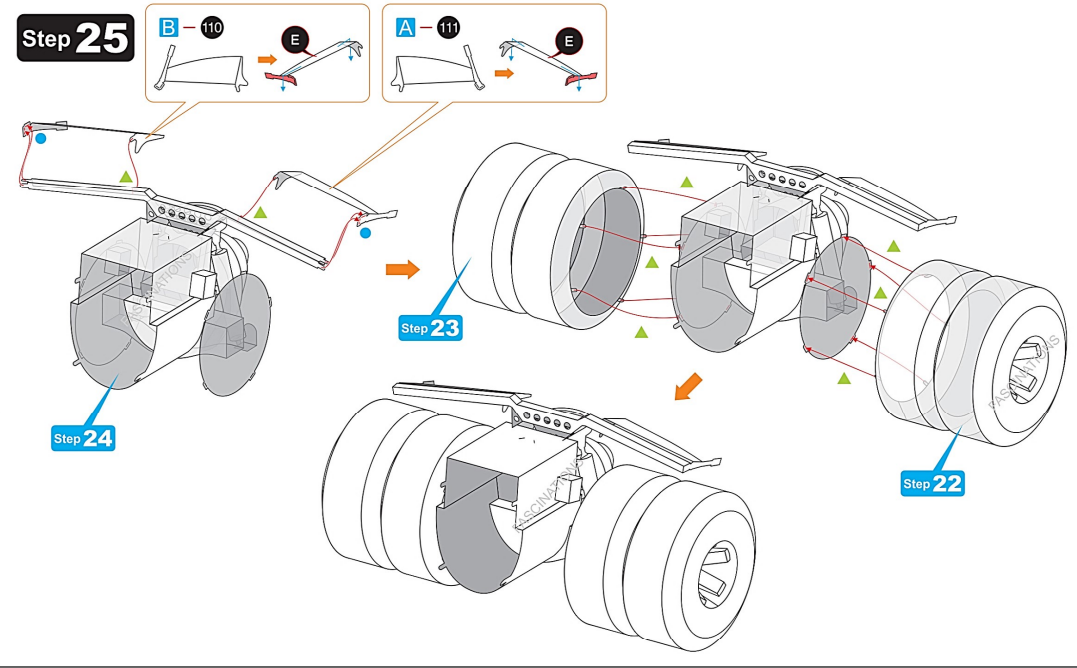
Step 22



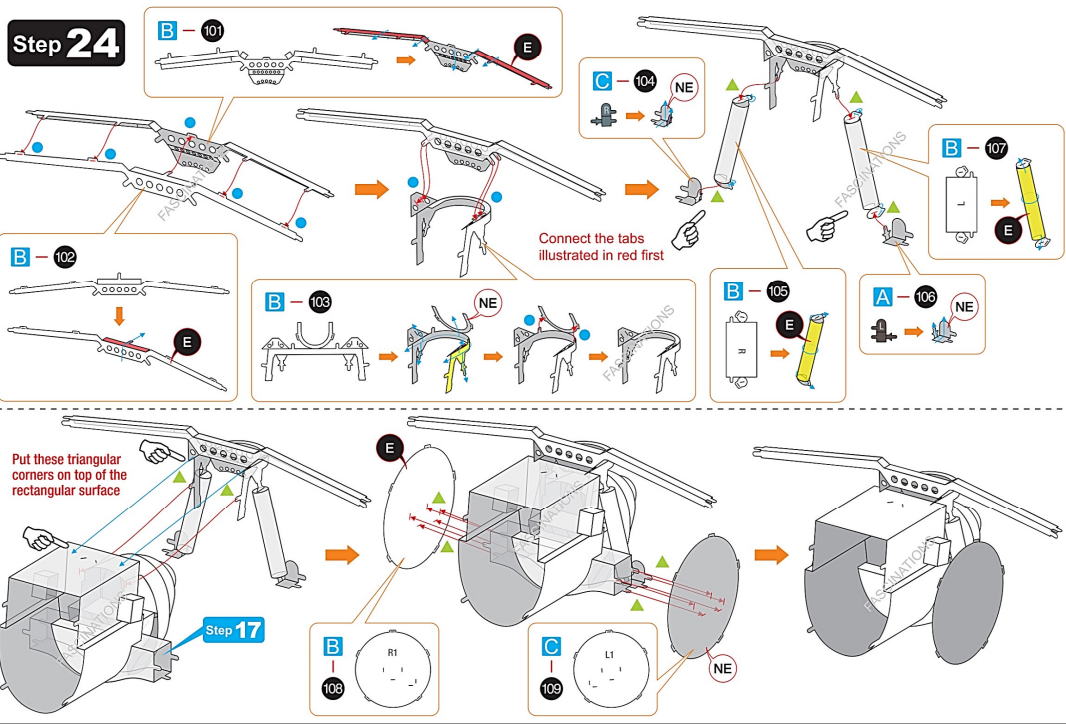
Step 23



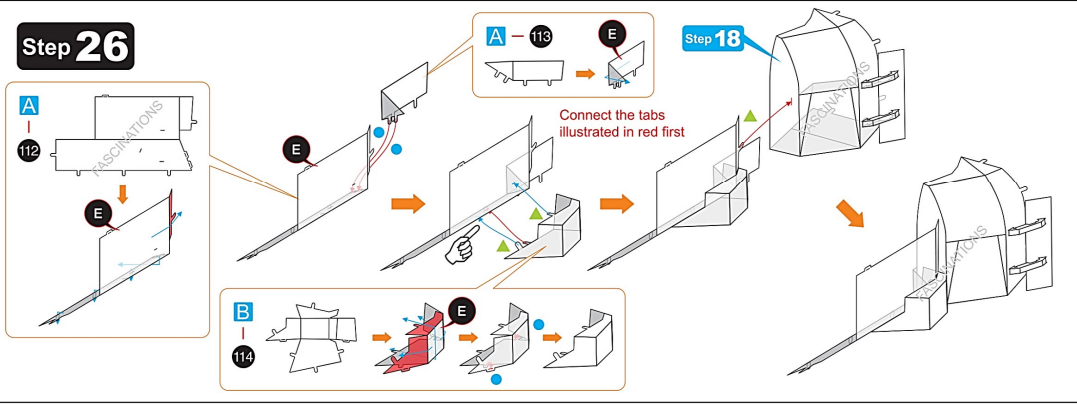
Step 25



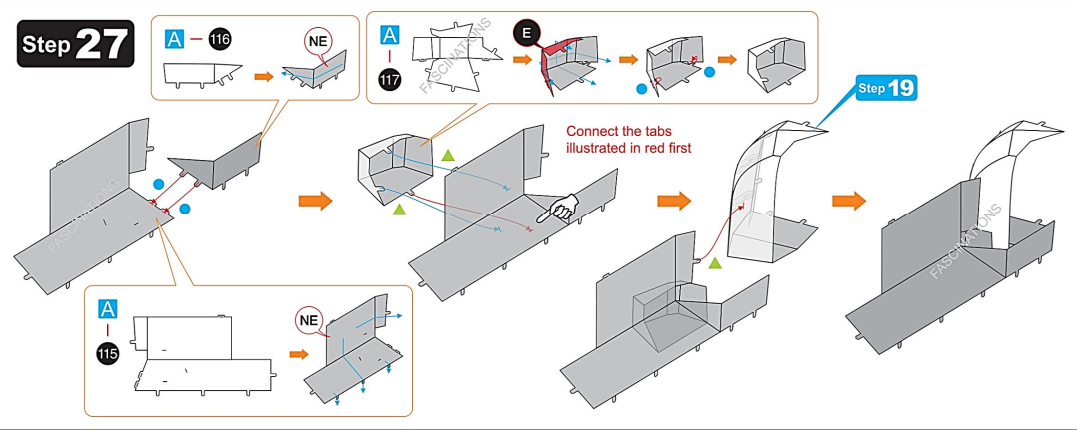
Step 24



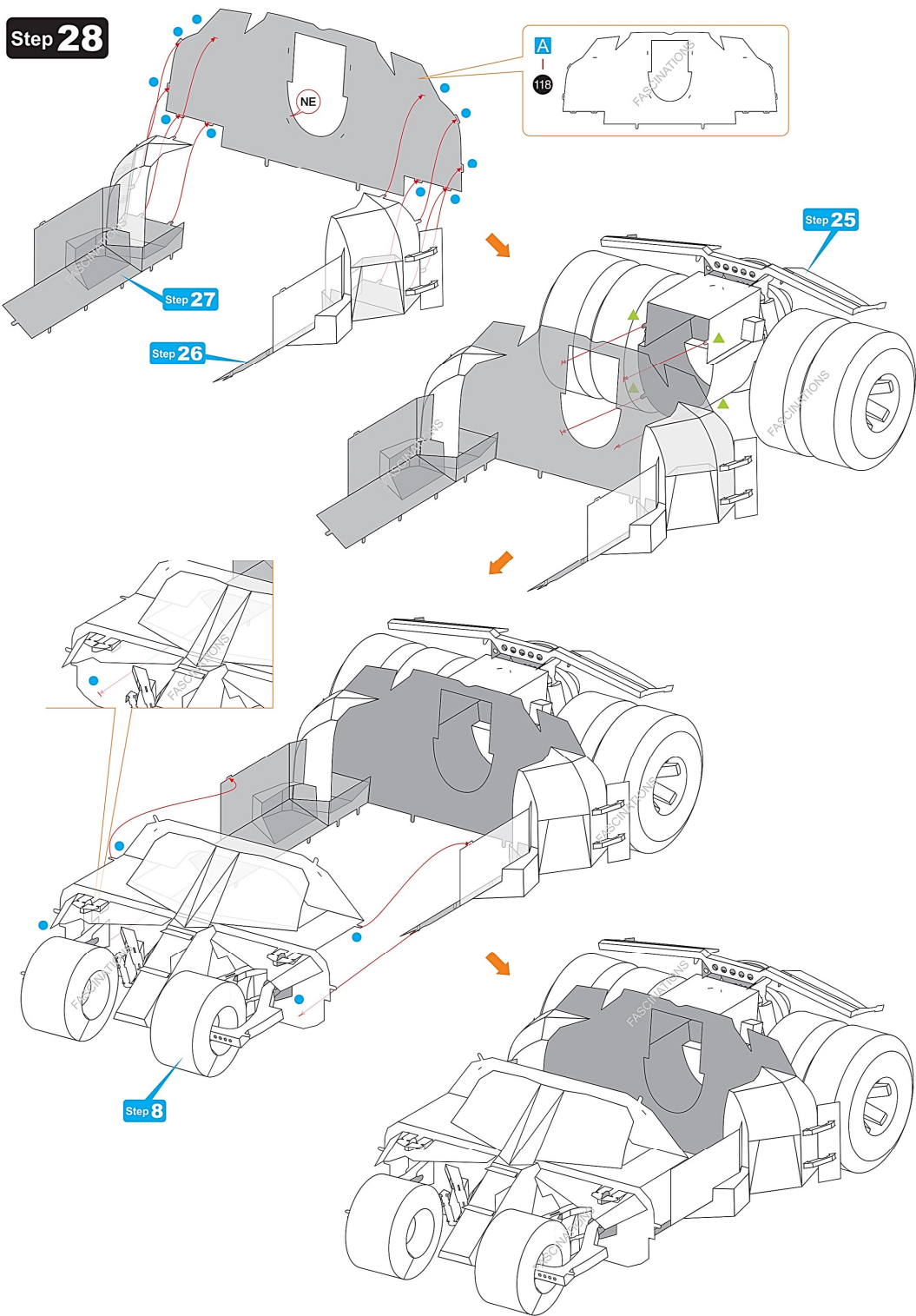
Step 26



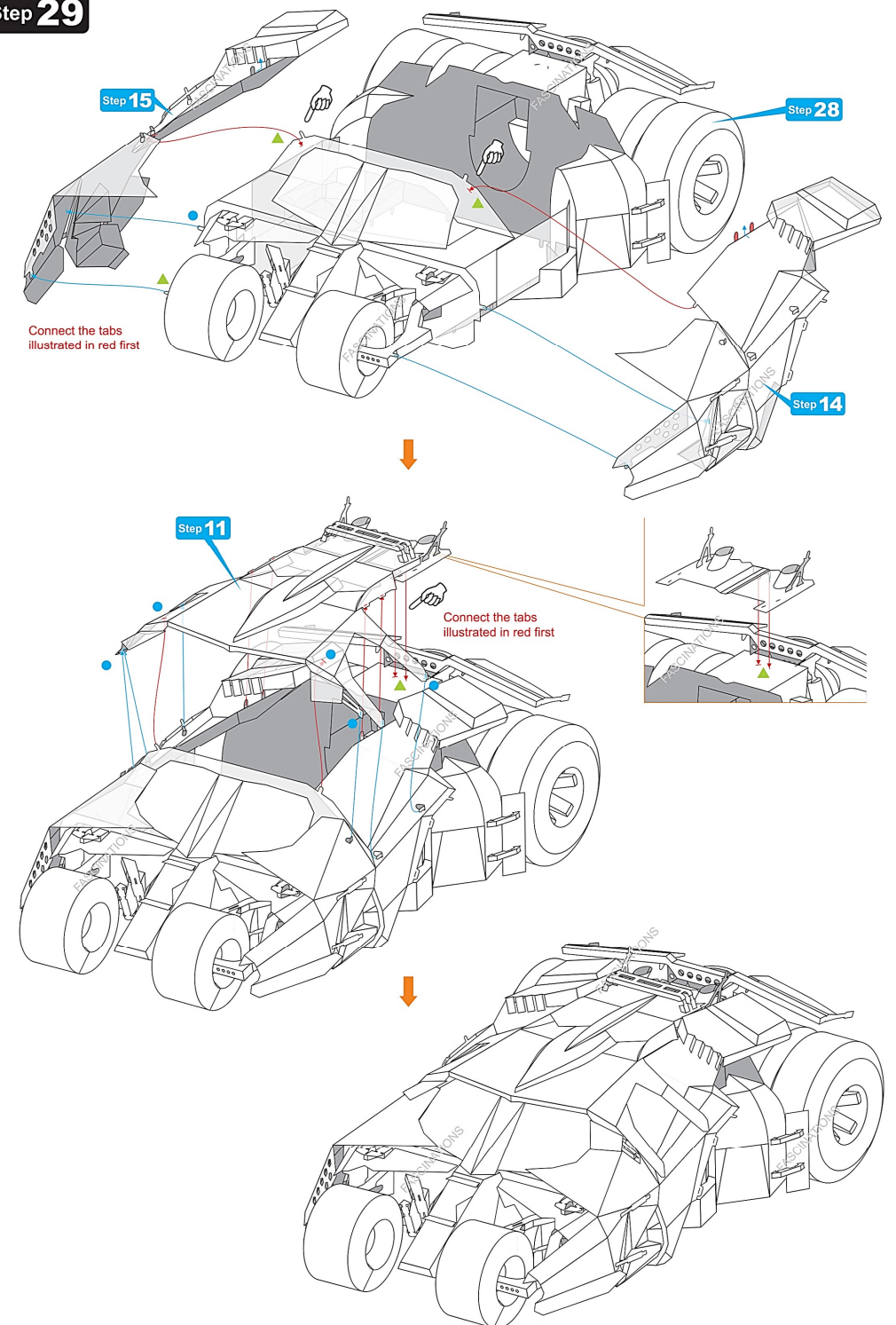
Step 27



Step 28

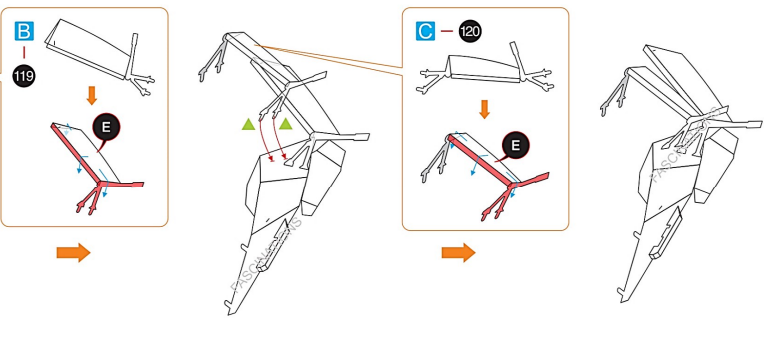


Step 29



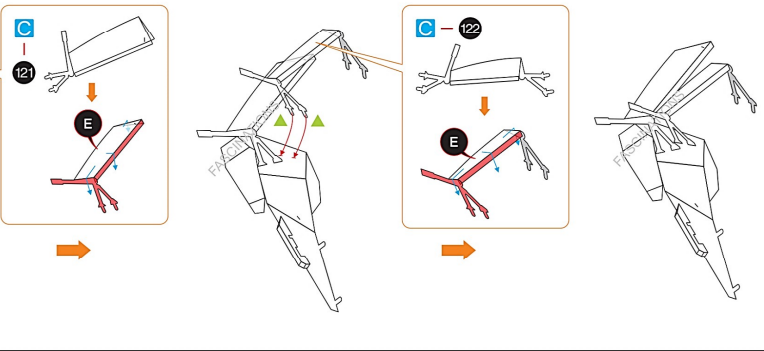
Step 30

Step 12



Step 31

Step 13



Step 32

