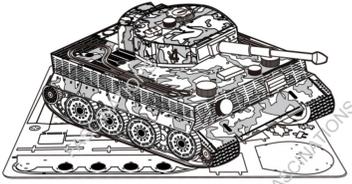


Metal Earth

3D METAL MODEL KITS



Tiger I Tank
Item No. MMS203



It is highly recommended that you visit www.metalearth.com/360/mms203 to see the completed model before assembling your own

Legends:

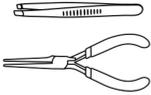
- E** Engraved side
- NE** Non-engraved side
- Attention point
- Insert tab and bend 90 degrees
- Insert tab and twist 90 degrees

Recommended tools:

-Wire cutters: helpful for taking parts from the metal sheets.

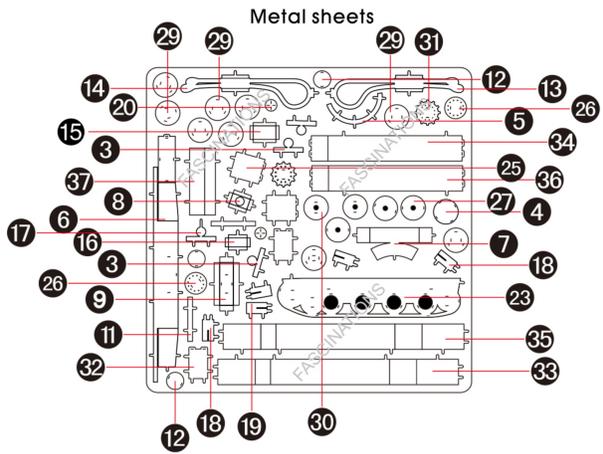
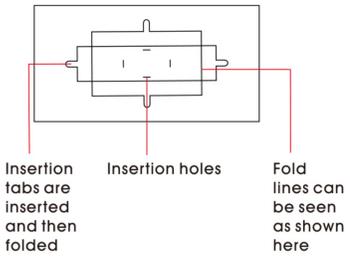


-Tweezers or needle nose pliers: helpful for folding parts, bending and twisting tabs.

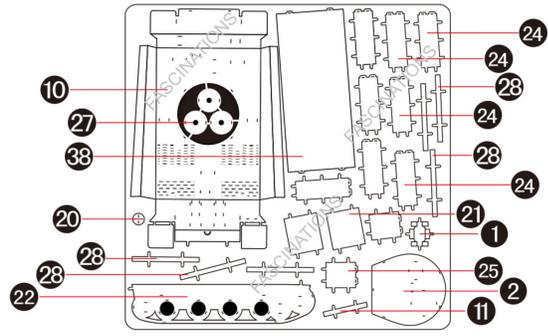


Assembly tip:

If needed, slightly twist tabs to hold parts together then untwist and bend them down for a nice finish



In order to avoid possible injury from sharp edges, please carefully discard the metal sheet after parts have been removed



Assembly Flow Chart

