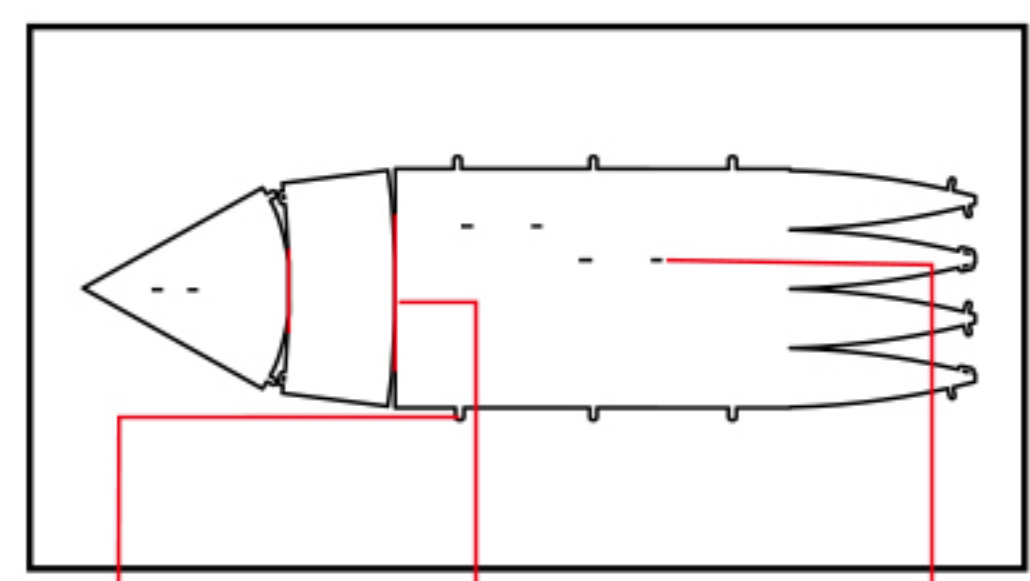


Graf Zeppelin  
Item No. MMS063



It is highly recommended that you visit [www.metalearth.com/360/mms063](http://www.metalearth.com/360/mms063) to see the completed model before assembling your own



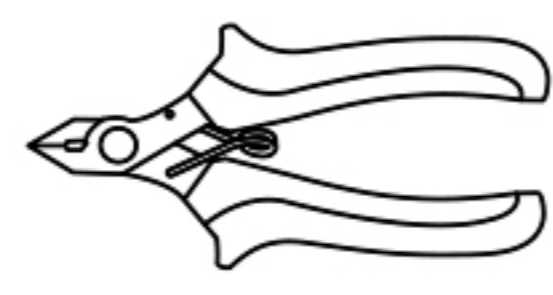
Insertion tabs are inserted and then folded  
Fold lines can be seen as shown here  
Insertion holes

**Legends:**

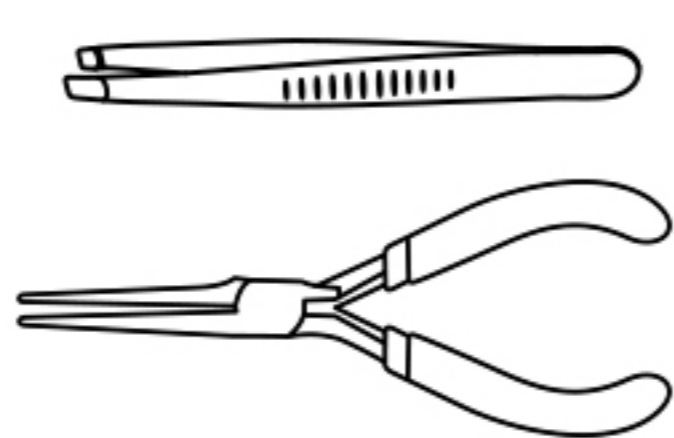
- Engraved side
- Non-engraved side
- Attention point
- Insert tab and bend 90 degrees
- Insert tab and twist 90 degrees

**Recommended tools:**

-Wire cutters: helpful for taking parts from the metal sheets.



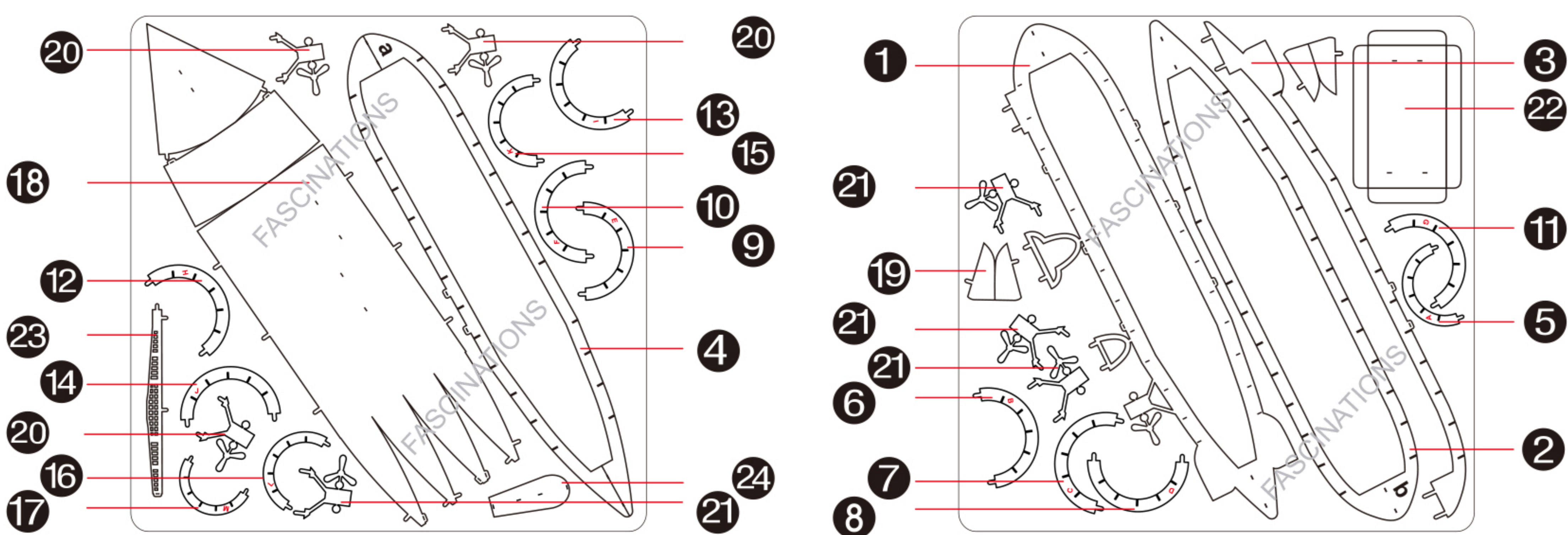
-Tweezers or needle nose pliers: helpful for folding parts, bending and twisting tabs.



**Assembly tip:**

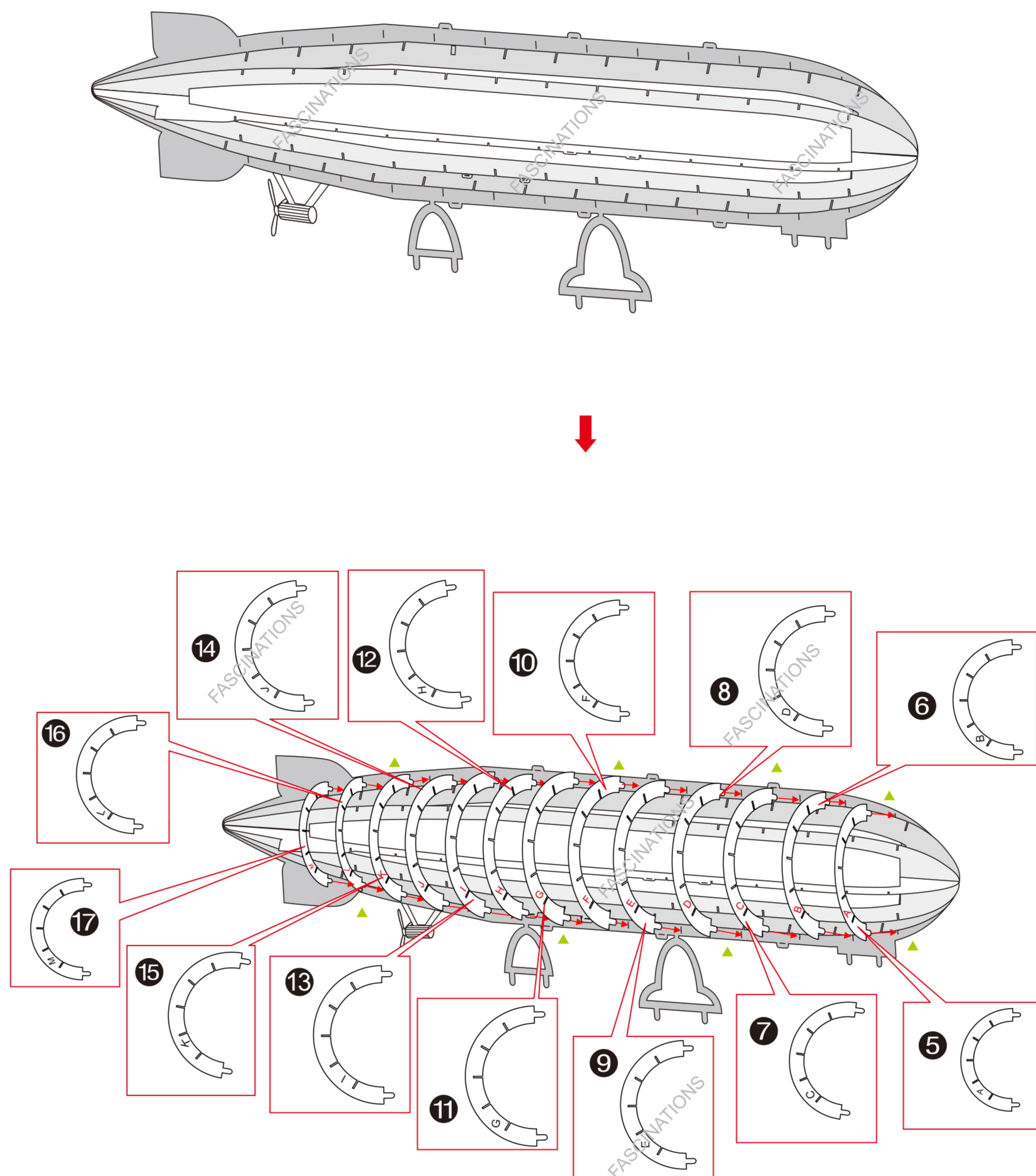
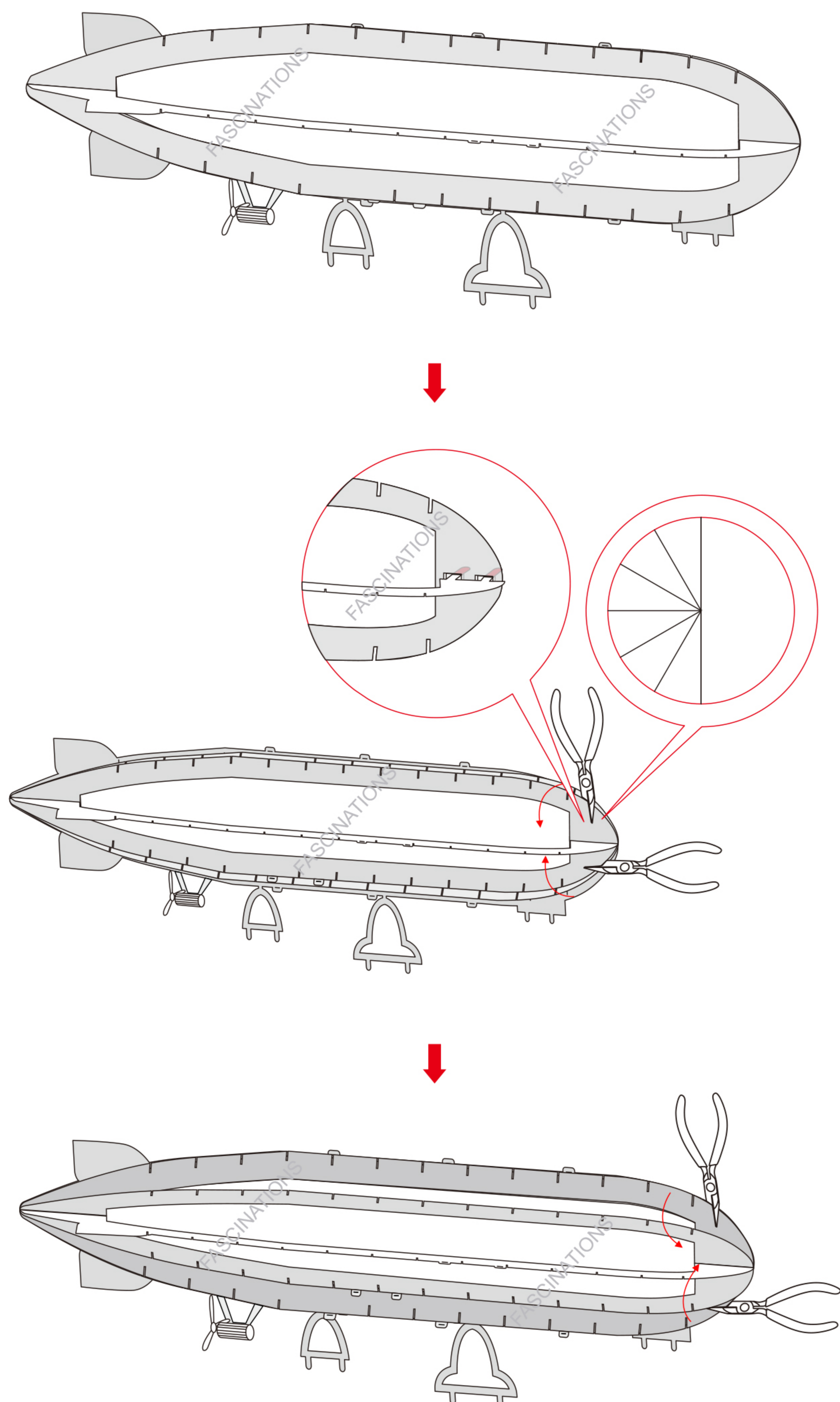
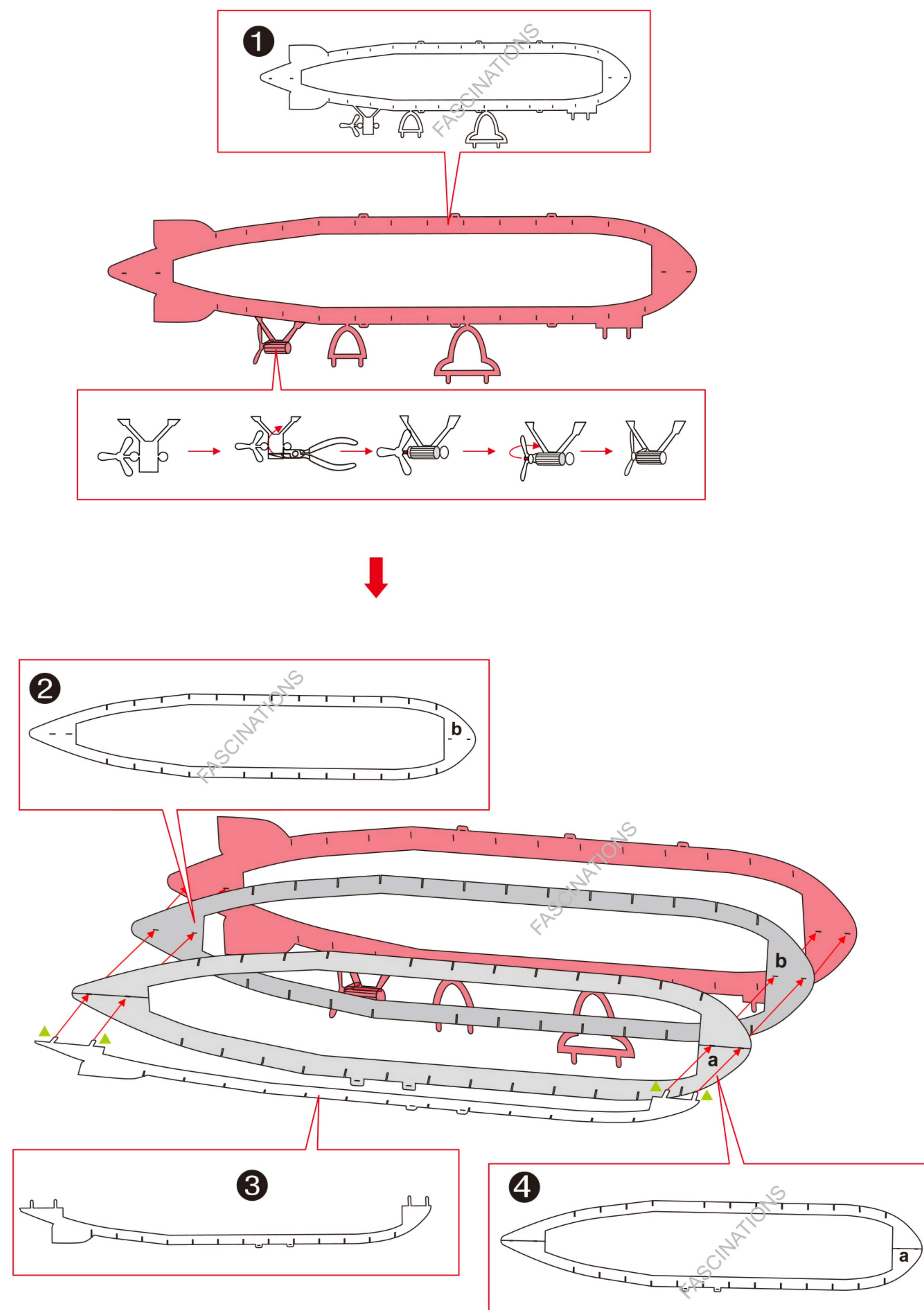
If needed, slightly twist tabs to hold parts together then untwist and bend them down for a nice finish

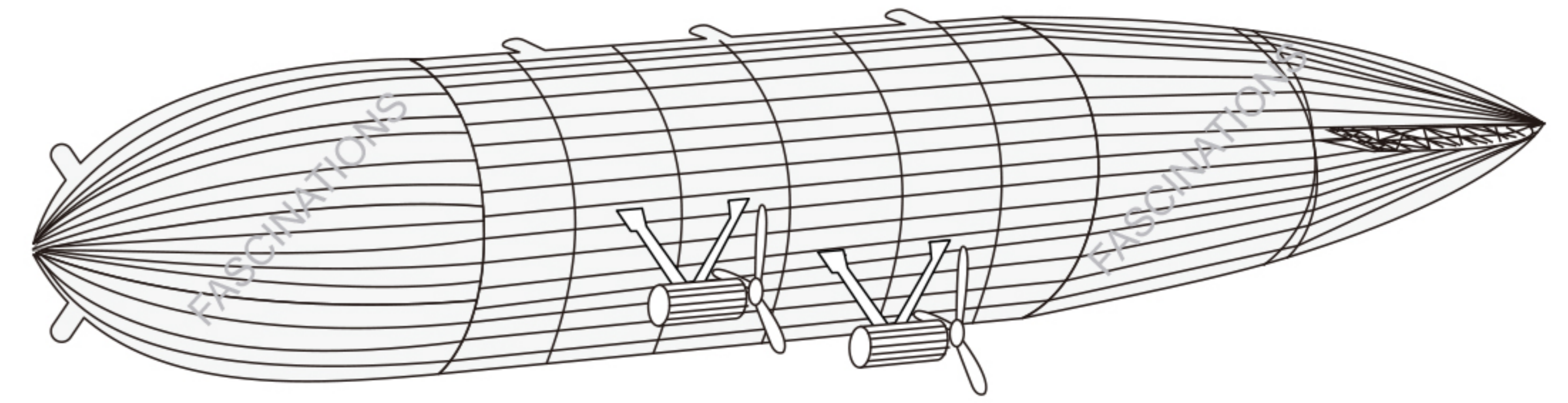
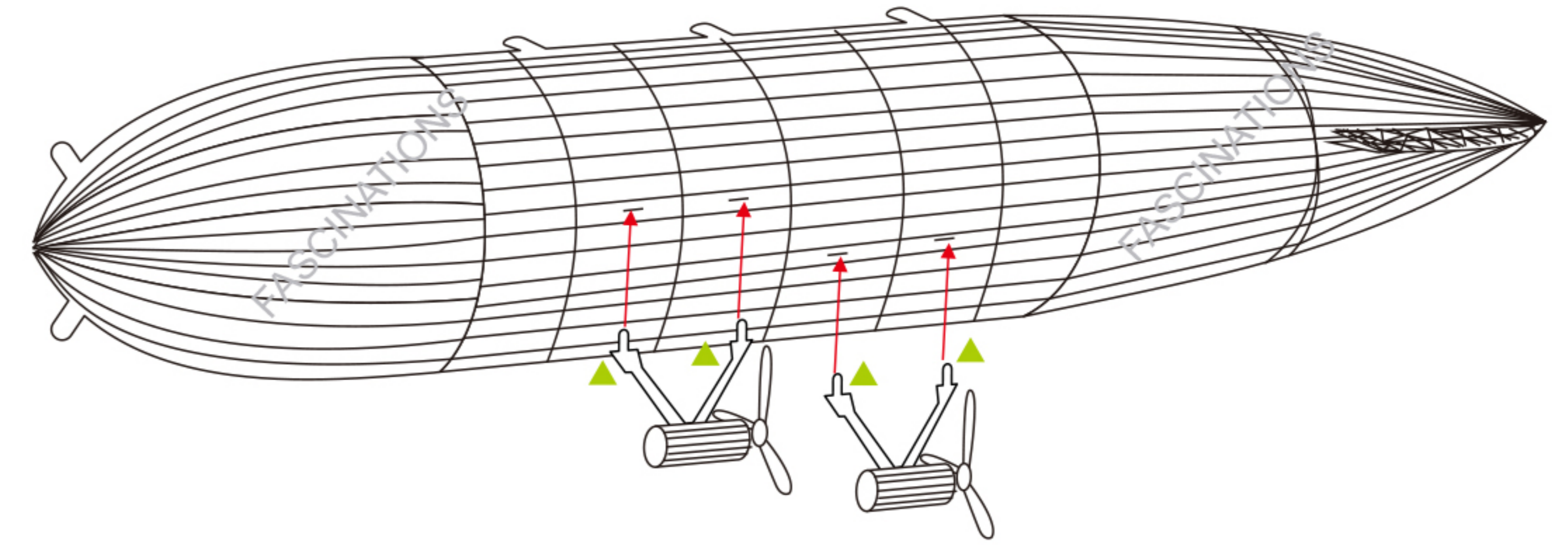
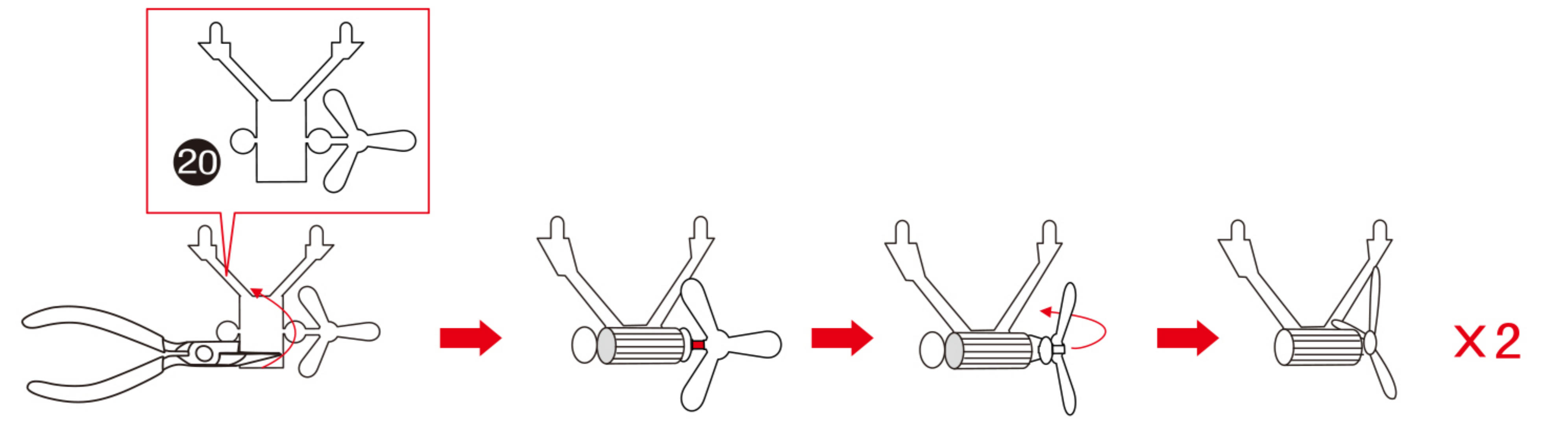
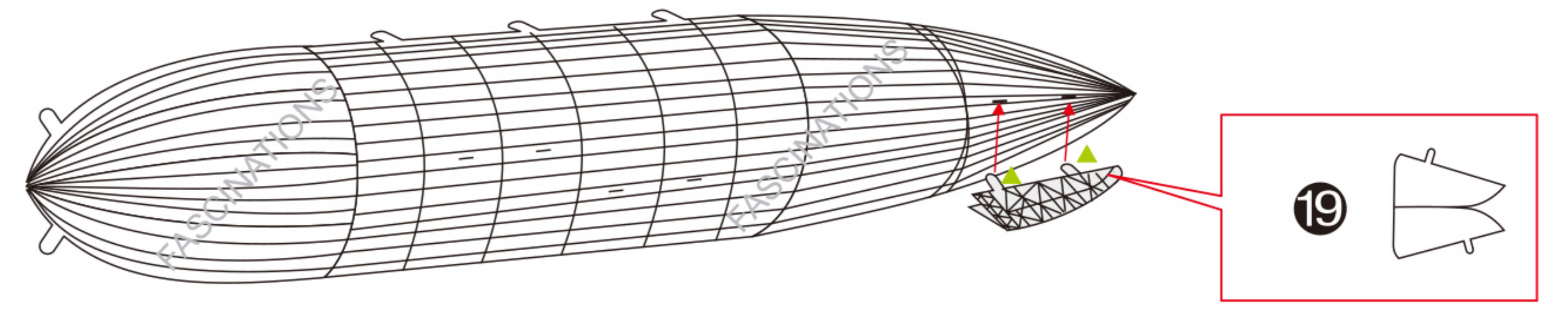
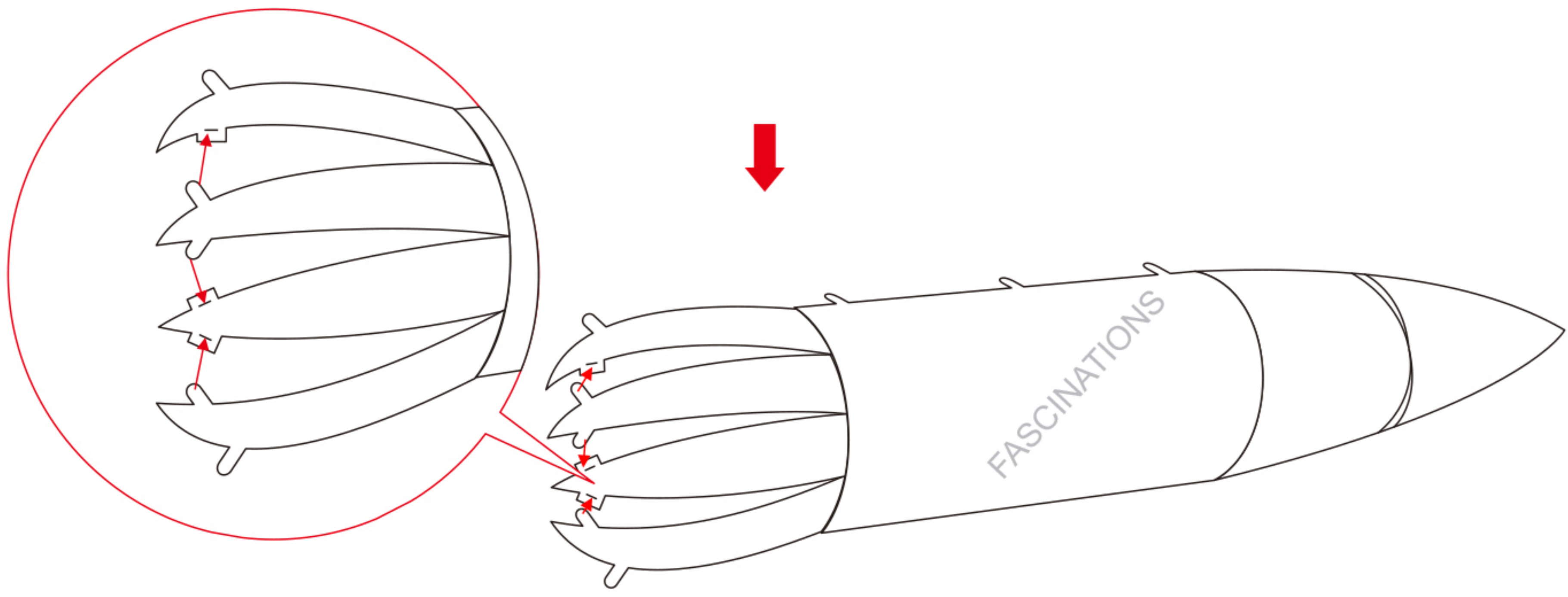
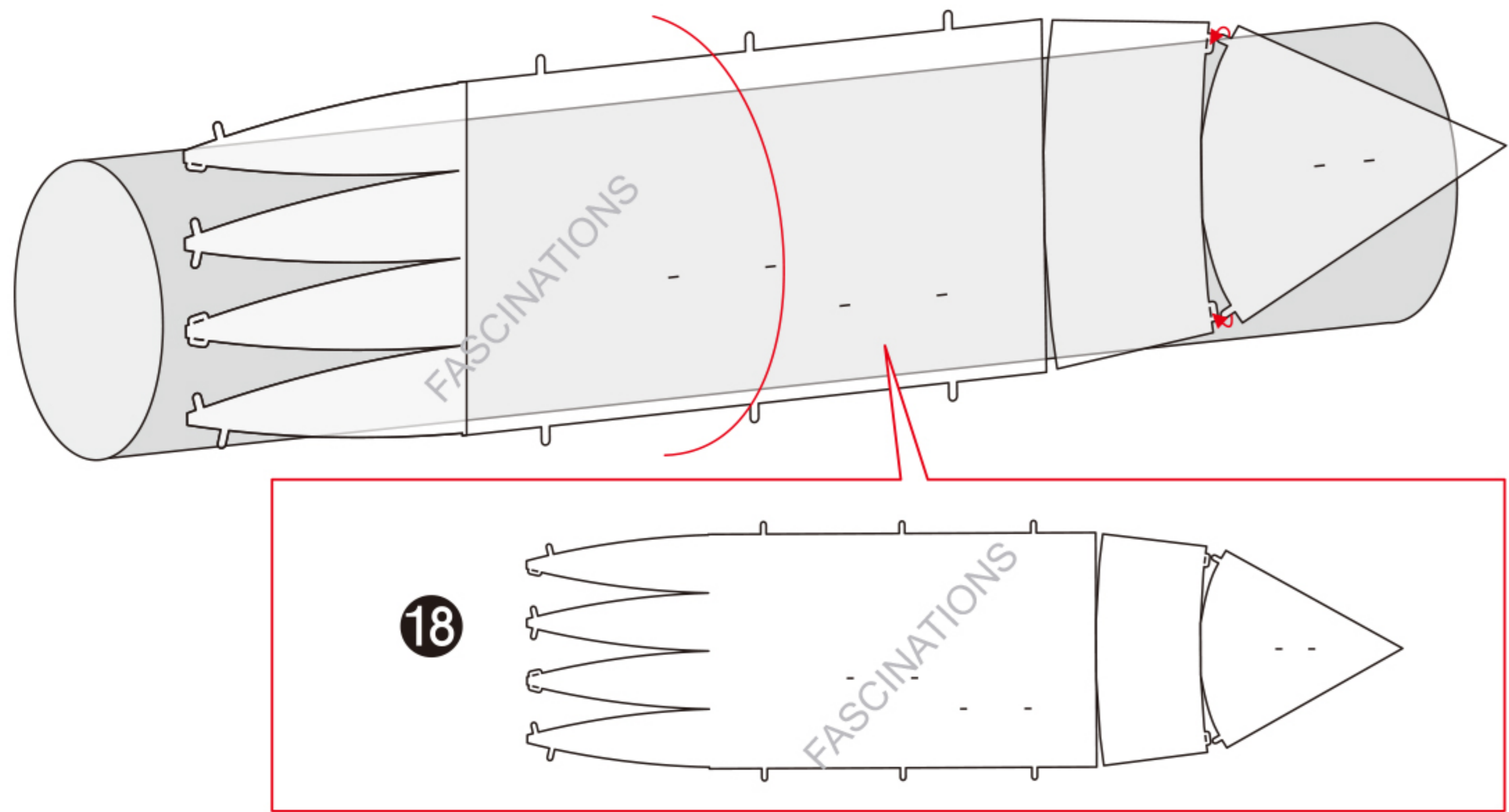
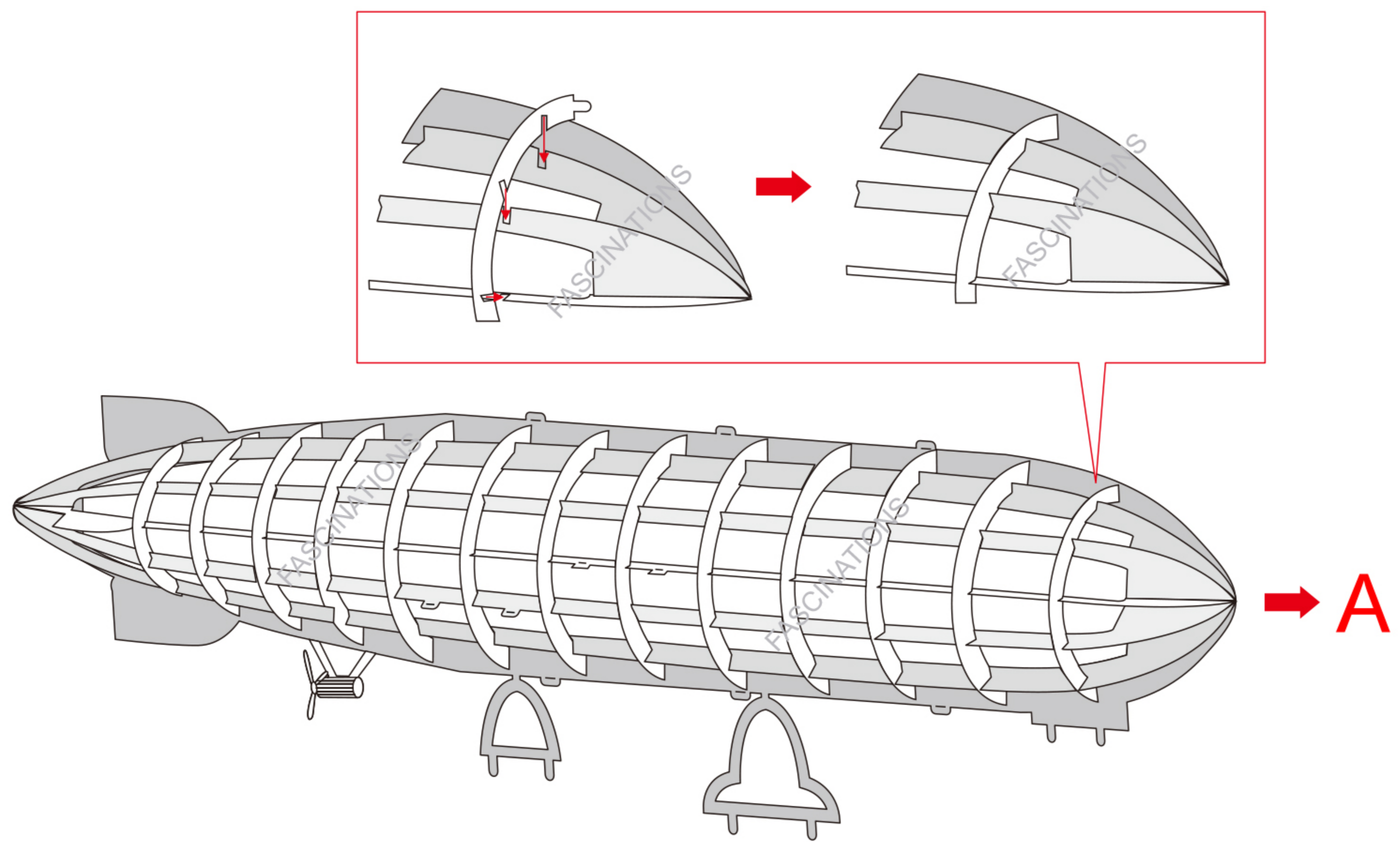
**Metal sheets**



In order to avoid possible injury from sharp edges, please carefully discard the metal sheet after parts have been removed

## Assembly Flow Chart





B

