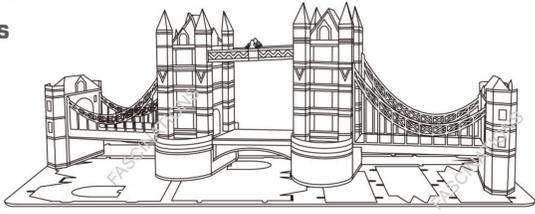


# Metal Earth

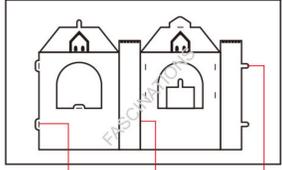
3D METAL MODEL KITS



London Tower Bridge  
Item No. MMS022



It is highly recommended that you visit [www.metalearth.com/360/mms022](http://www.metalearth.com/360/mms022) to see the completed model before assembling your own



Insertion holes  
Fold lines can be seen as shown here  
Insertion tabs are inserted and then folded

**Legends:**

- Engraved side
- Non-engraved side
- Attention point
- Insert tab and bend 90 degrees
- Insert tab and twist 90 degrees

**Assembly tip:**

If needed, slightly twist tabs to hold parts together then untwist and bend them down for a nice finish

**Recommended tools:**

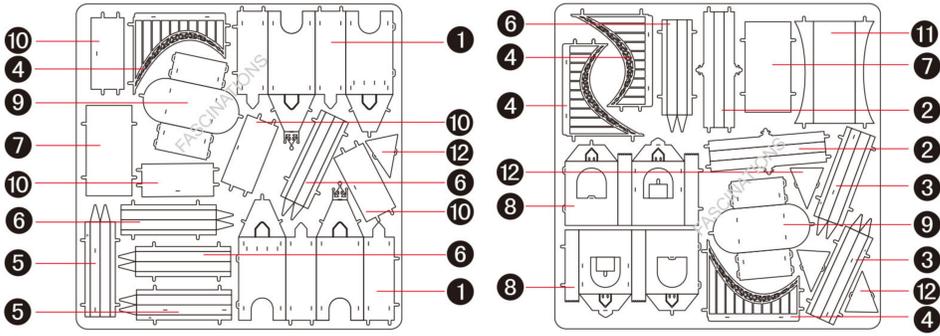
-Wire cutters: helpful for taking parts from the metal sheets.



-Tweezers or needle nose pliers: helpful for folding parts, bending and twisting tabs.

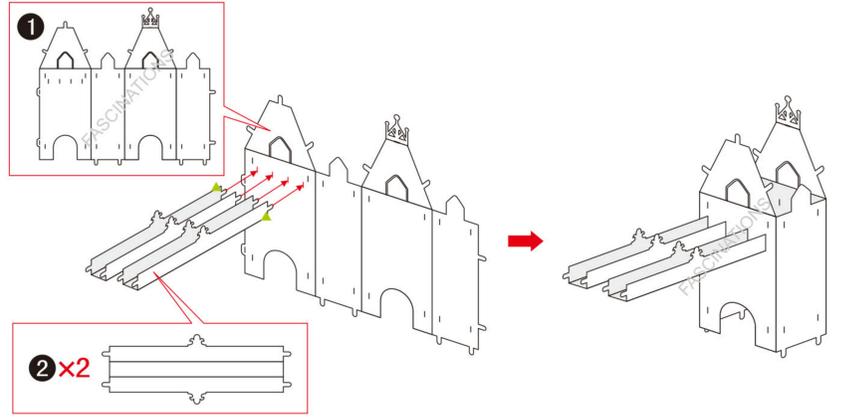


**Metal sheets**

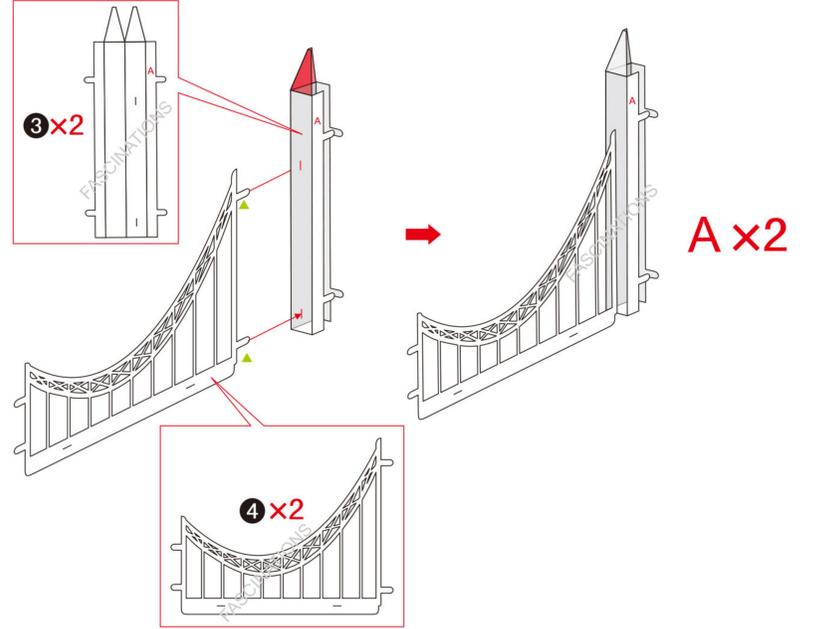


In order to avoid possible injury from sharp edges, please carefully discard the metal sheets after parts have been removed

## Assembly Flow Chart



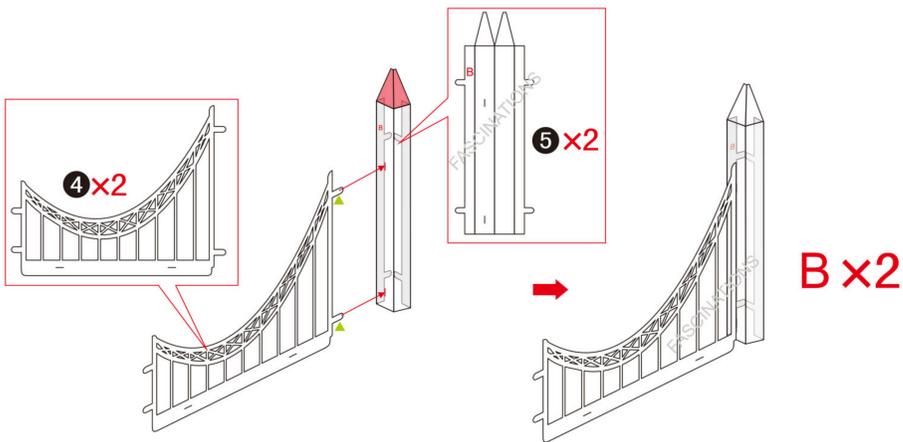
2 x 2



3 x 2

4 x 2

A x 2



B x 2

