

Mustang P-51  
Item No. MMS003



It is highly recommended that you visit [www.metalearth.com/360/mms003](http://www.metalearth.com/360/mms003) to see the completed model before assembling your own

**Legends:**

- E** Engraved side
- NE** Non-engraved side
- Hand icon** Attention point
- Blue dot** Insert tab and bend 90 degrees
- Yellow triangle** Insert tab and twist 90 degrees

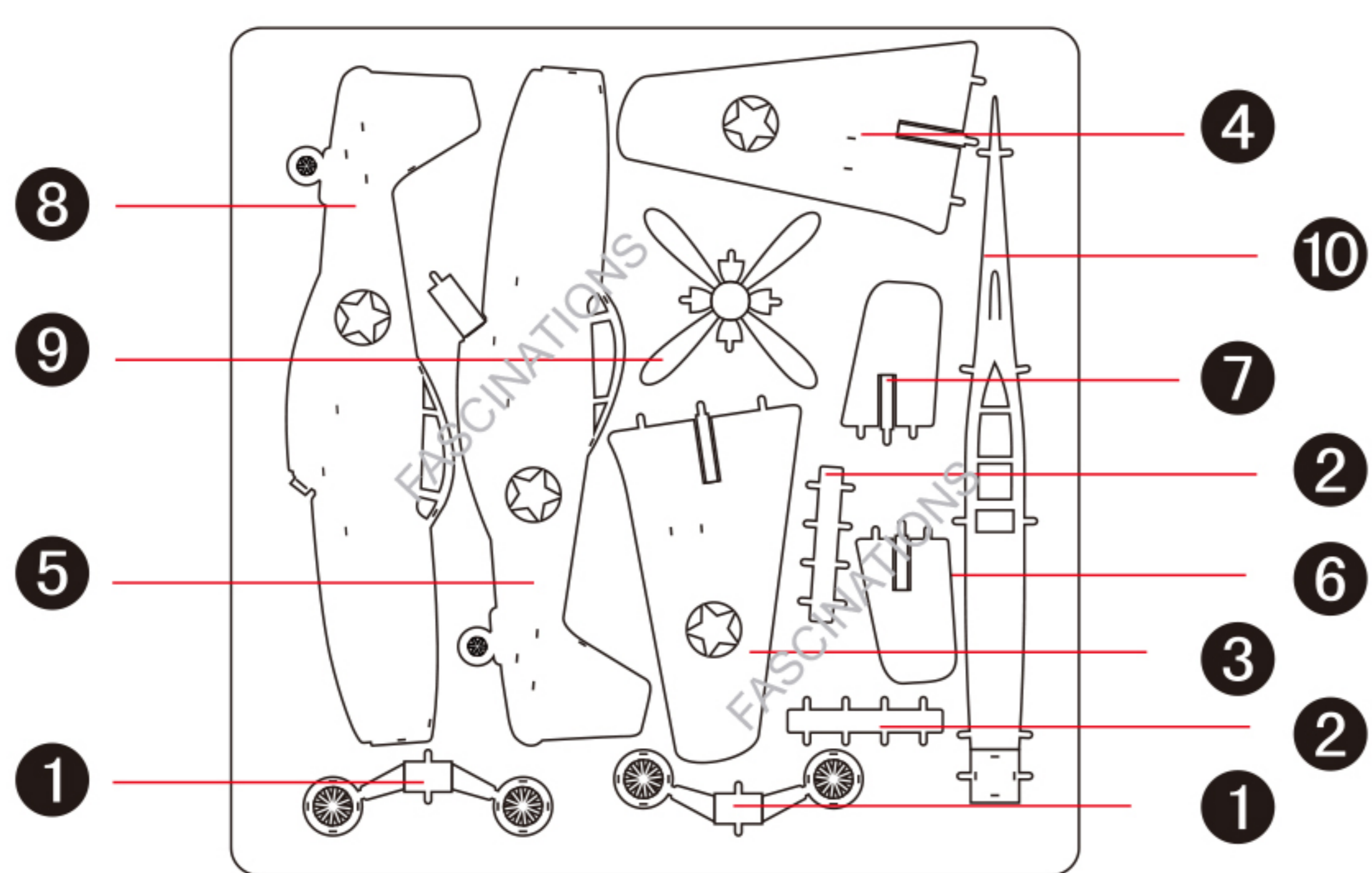
**Recommended tools:**

- Wire cutters: helpful for taking parts from the metal sheets.
- Tweezers or needle nose pliers: helpful for folding parts, bending and twisting tabs.

**Assembly tip:**  
If needed, slightly twist tabs to hold parts together then untwist and bend them down for a nice finish

Insertion tabs are inserted and then folded  
Insertion holes  
Fold lines can be seen as shown here

### Metal sheet



**!** In order to avoid possible injury from sharp edges, please carefully discard the metal sheet after parts have been removed

### Assembly Flow Chart

