

LEGENDS



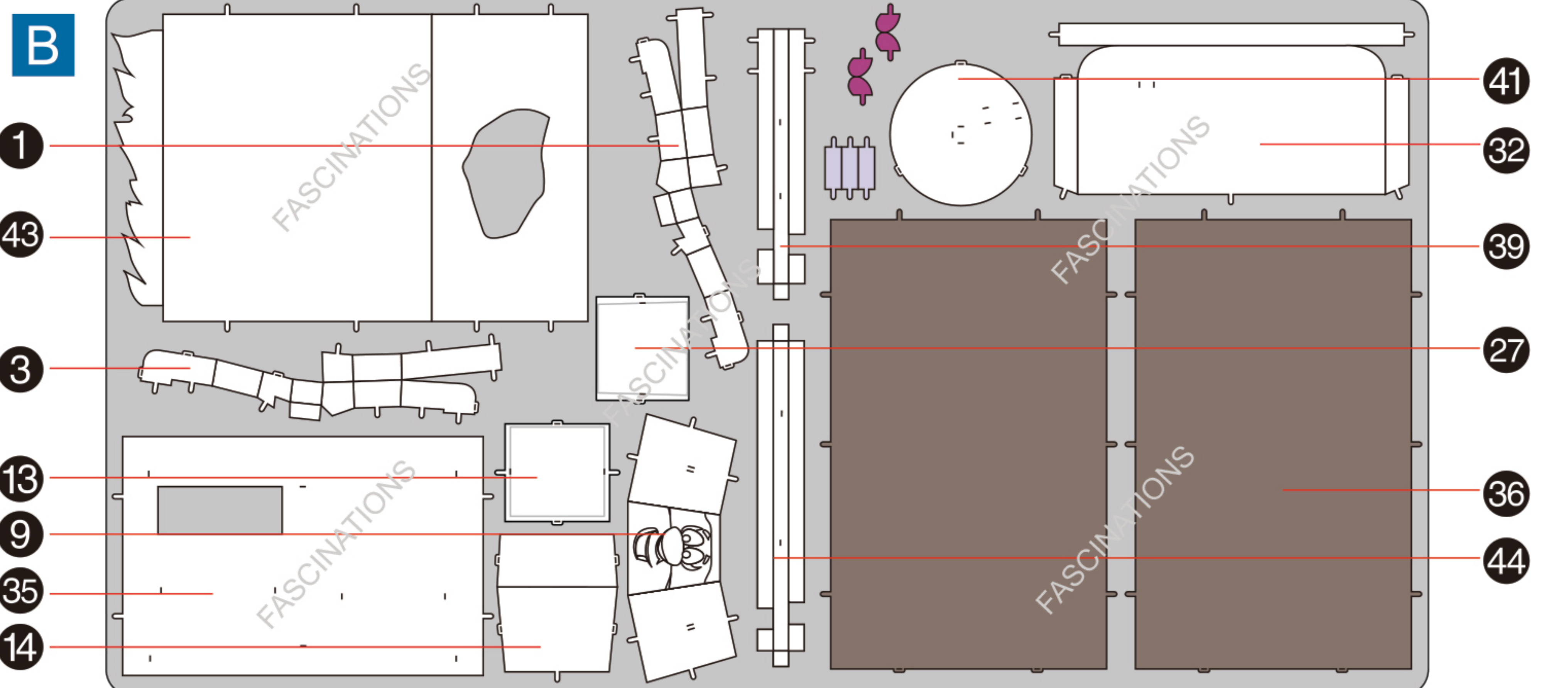
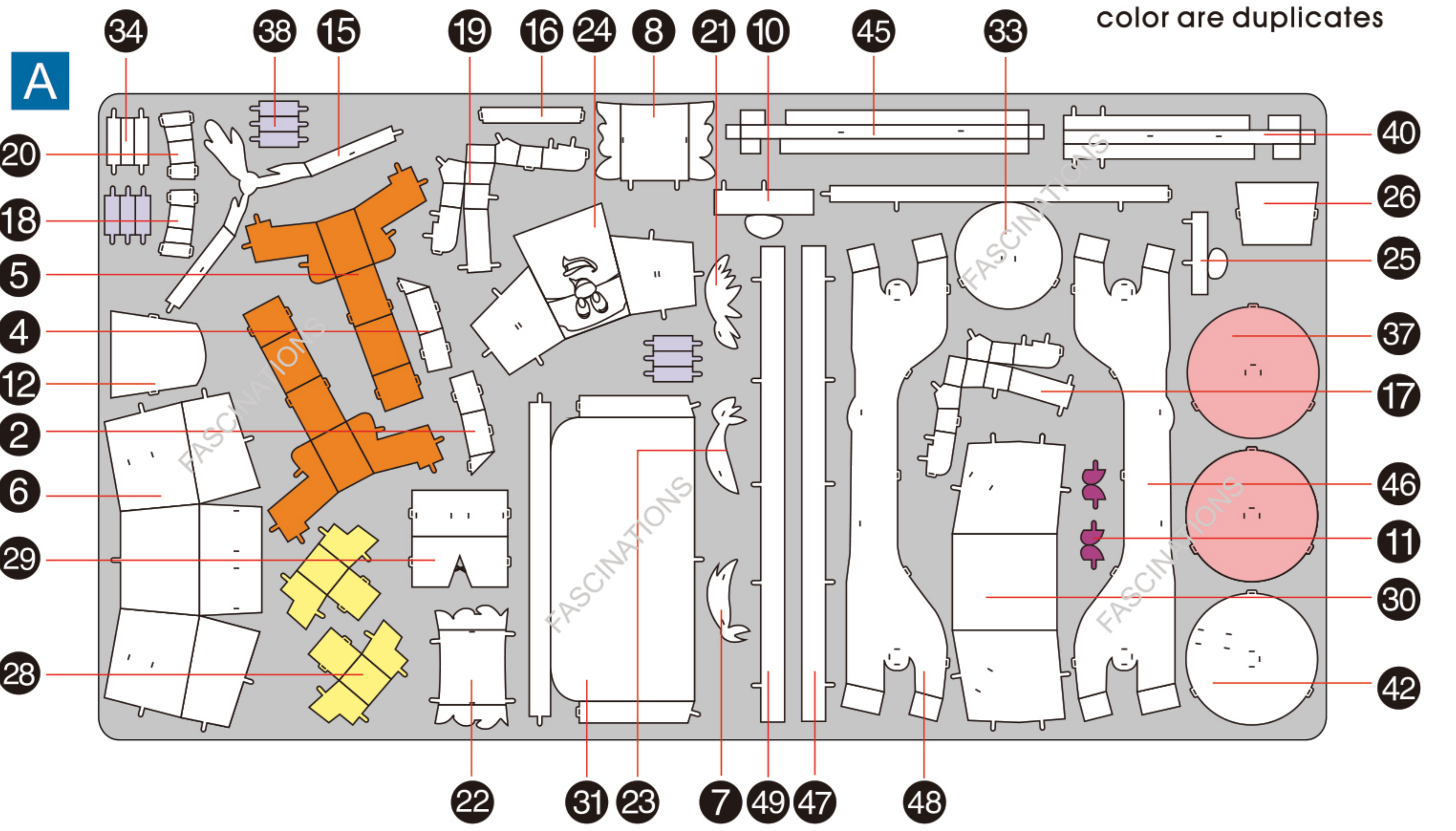
It is highly recommended that you visit www.metalearth.com/360/mem065 to see the completed model before assembling your own

Metal Earth

3D METAL MODEL KITS

METAL SHEETS

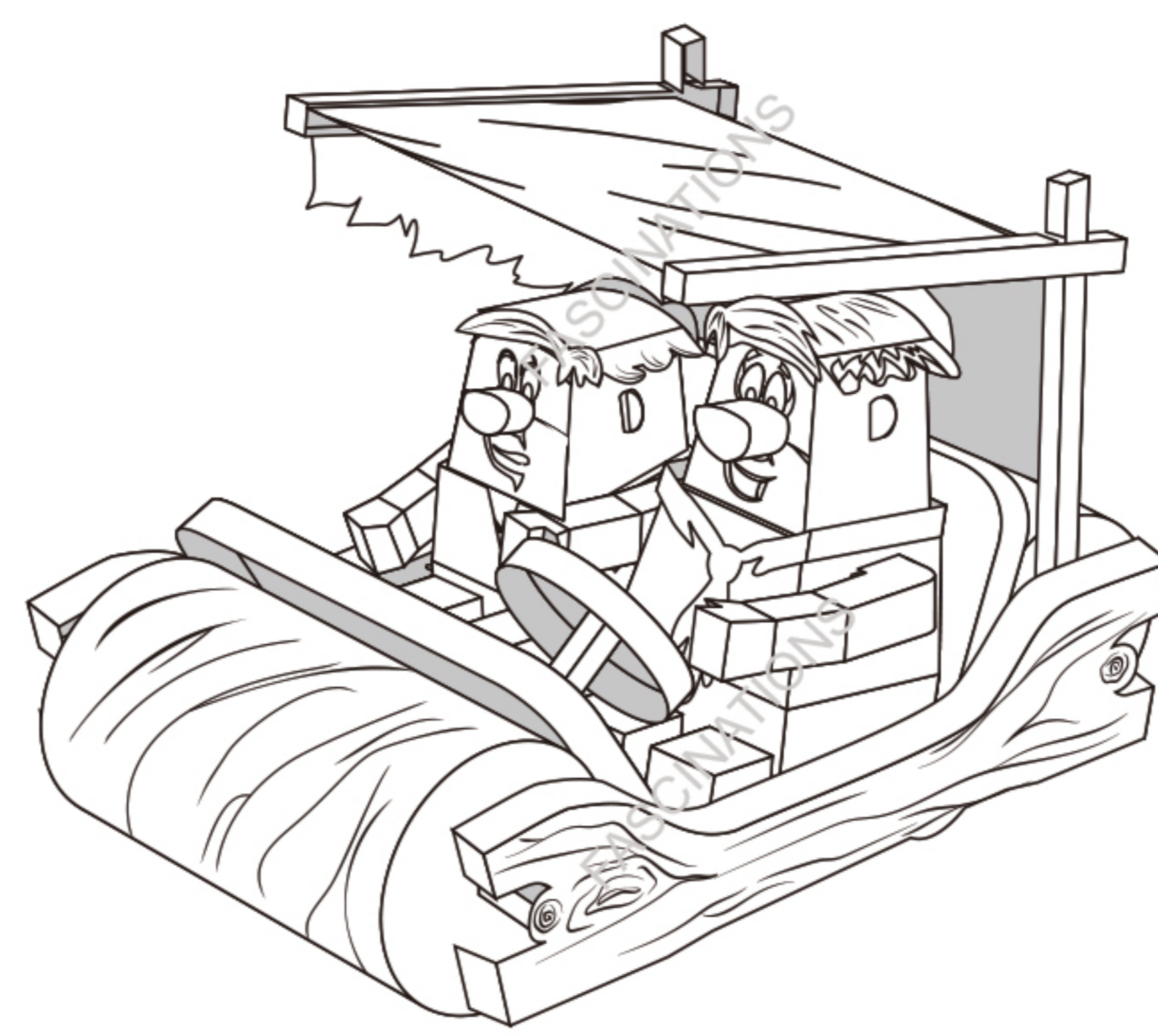
Parts that are in the same color are duplicates



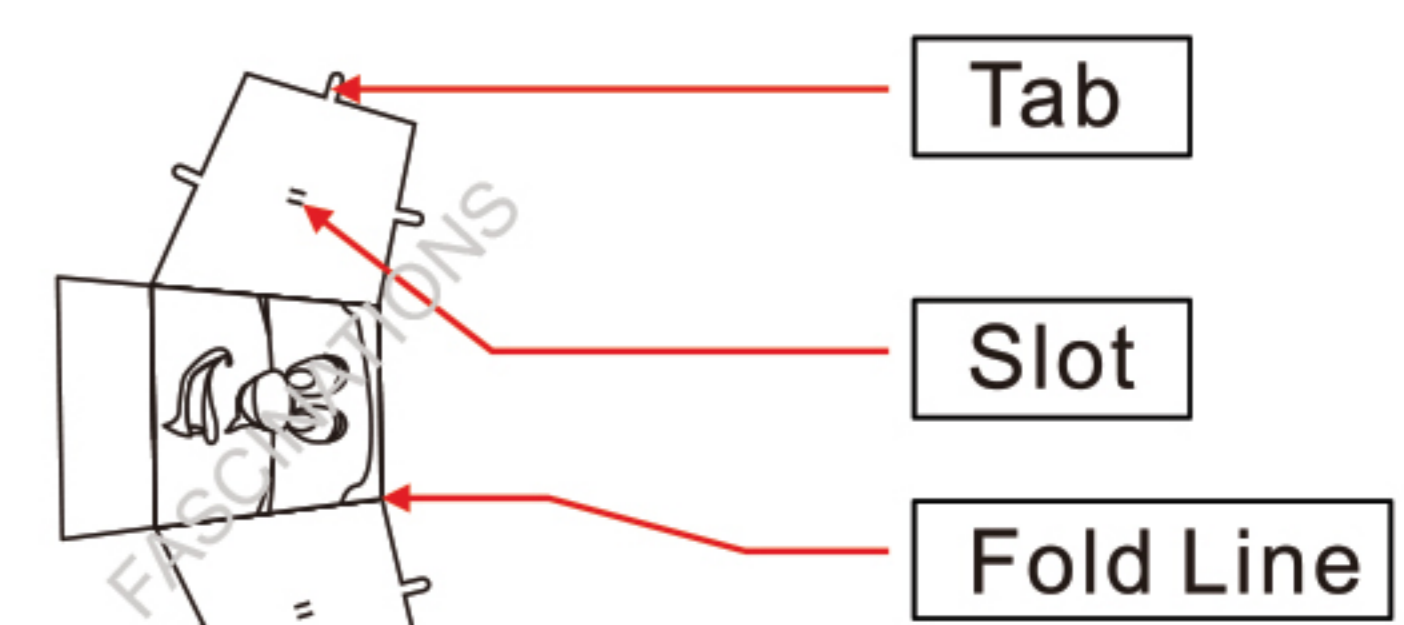
! In order to avoid possible injury from sharp edges, please carefully discard the metal sheets after parts have been removed.

MEM065

TO CREATE THE BEST CONNECTIONS



Flintstones



Legends:

- E** Engraved/Color side
- NE** Non-engraved/Silver side
- !** Attention point
- Insert tab and bend 90 degrees
- ▲** Insert tab and twist 90 degrees

Recommended tools:

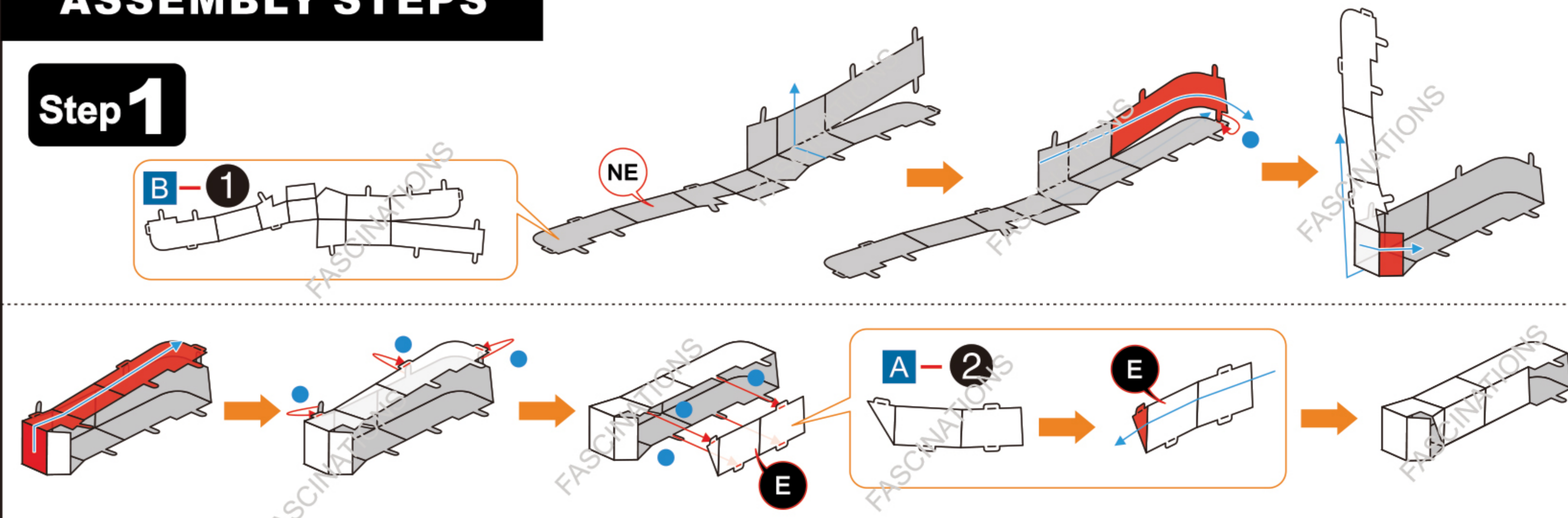
- Wire cutters: helpful for taking parts from the metal sheets.
- Tweezers or needle nose pliers: helpful for folding parts, bending and twisting tabs.

Assembly tip:

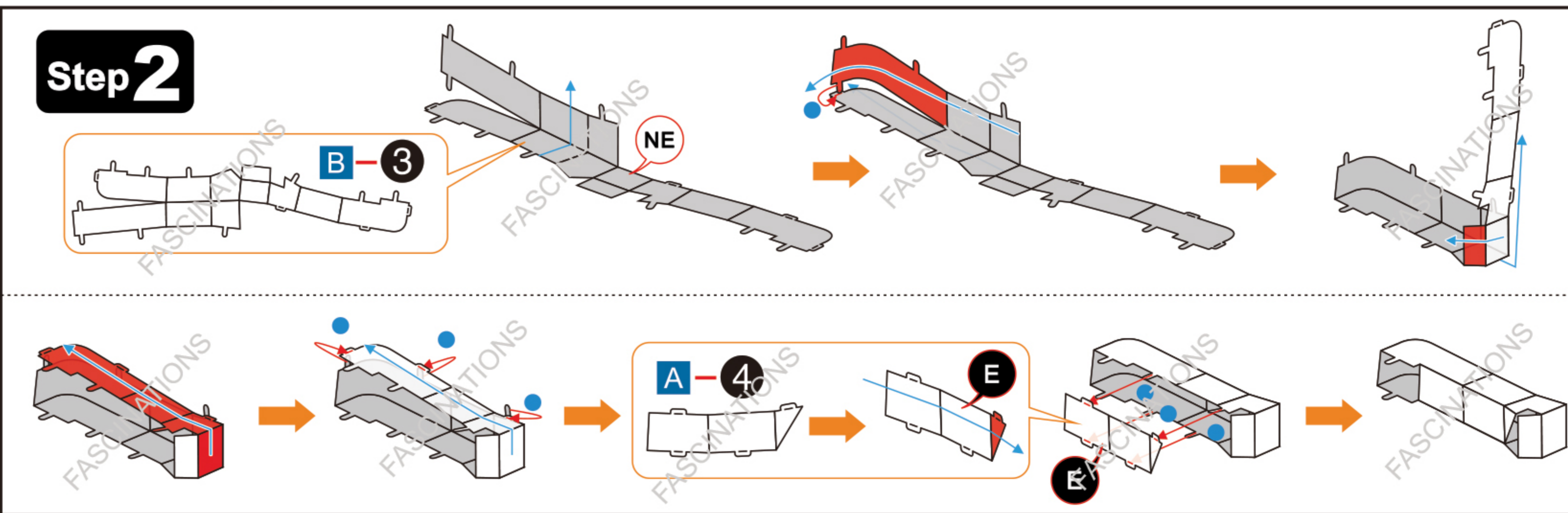
If needed, slightly twist tabs to hold parts together then untwist and bend them down for a nice finish

ASSEMBLY STEPS

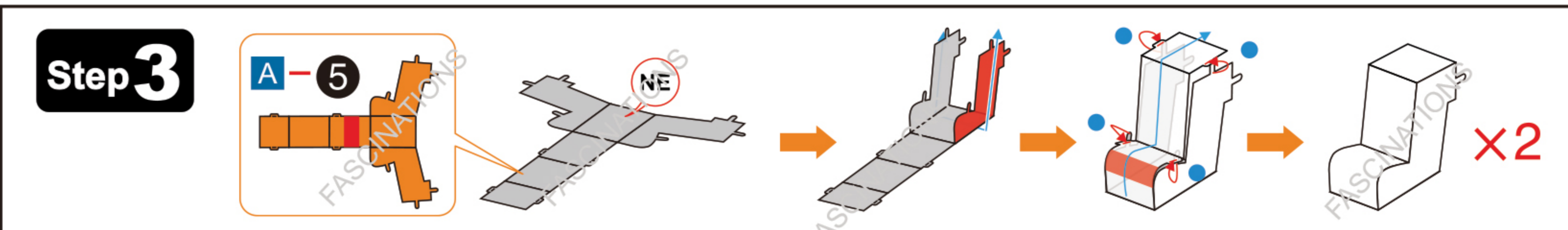
Step 1



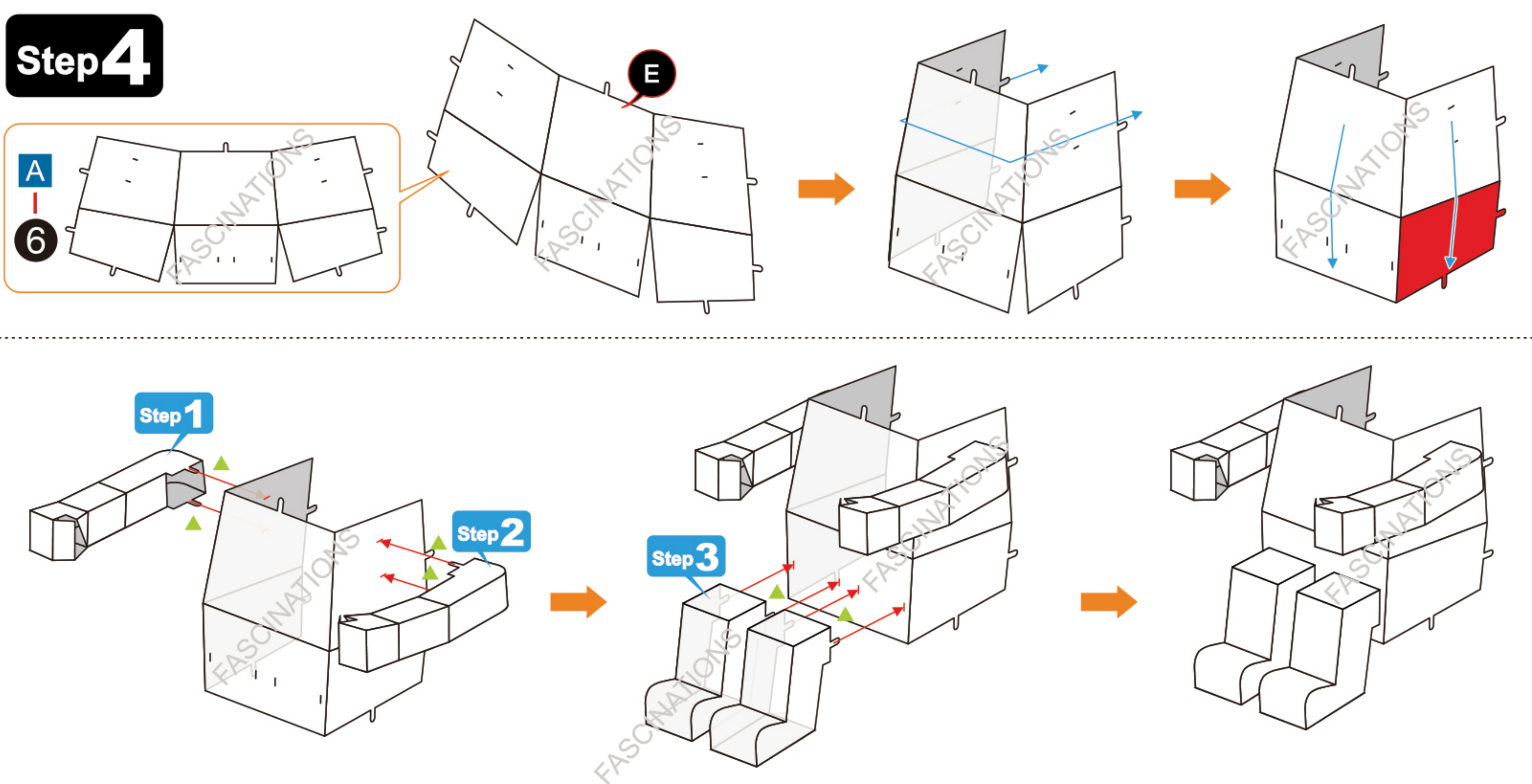
Step 2



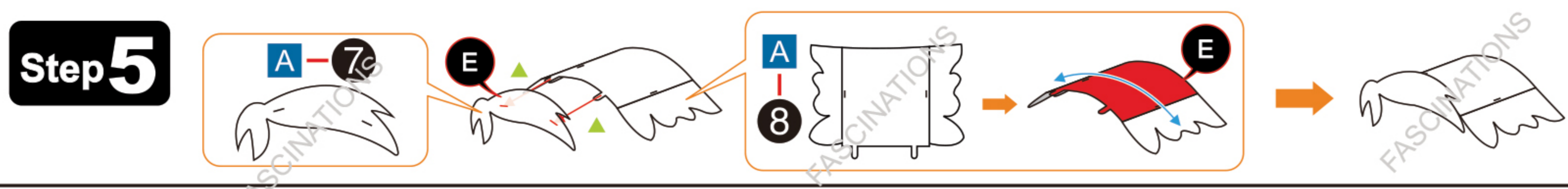
Step 3



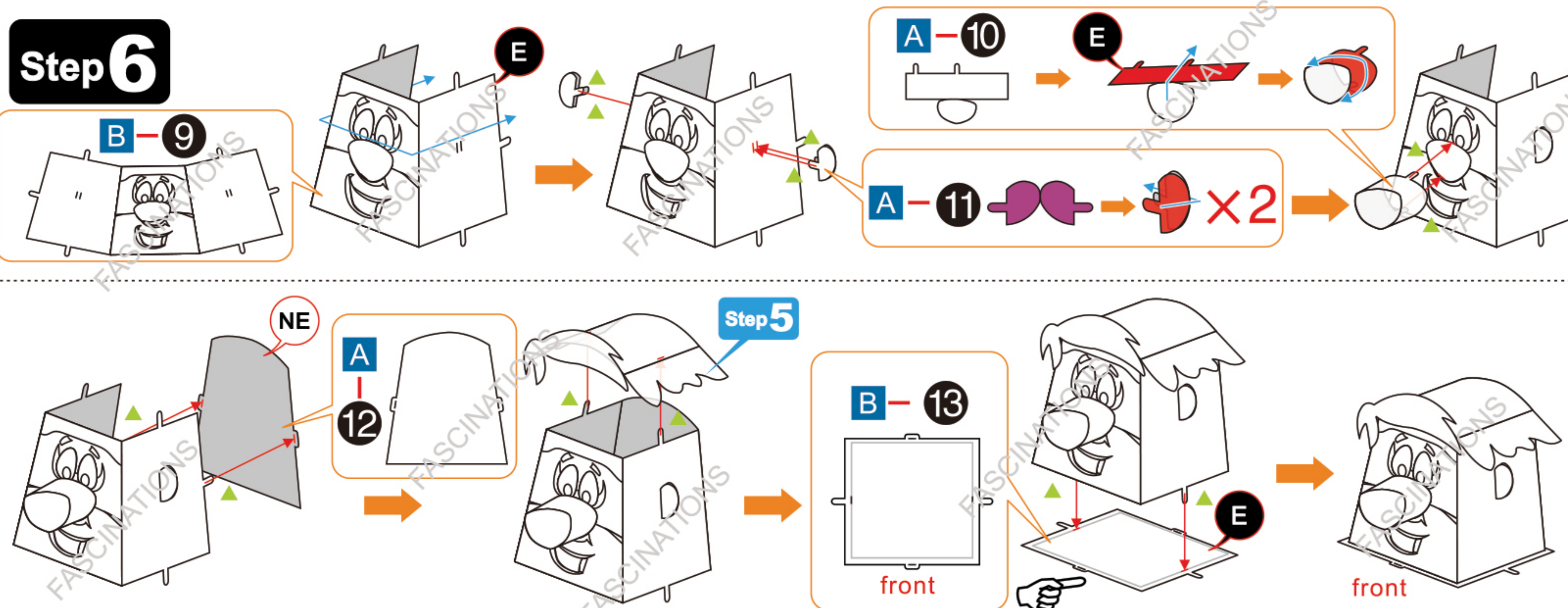
Step 4



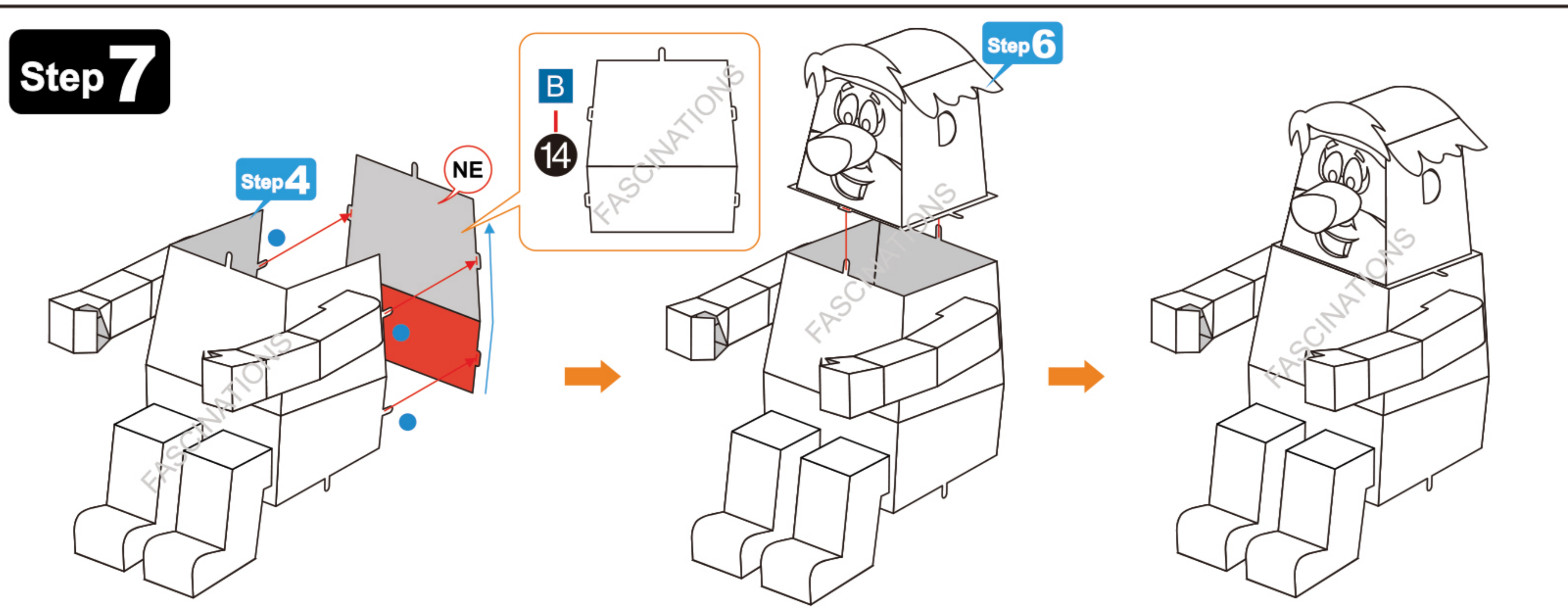
Step 5



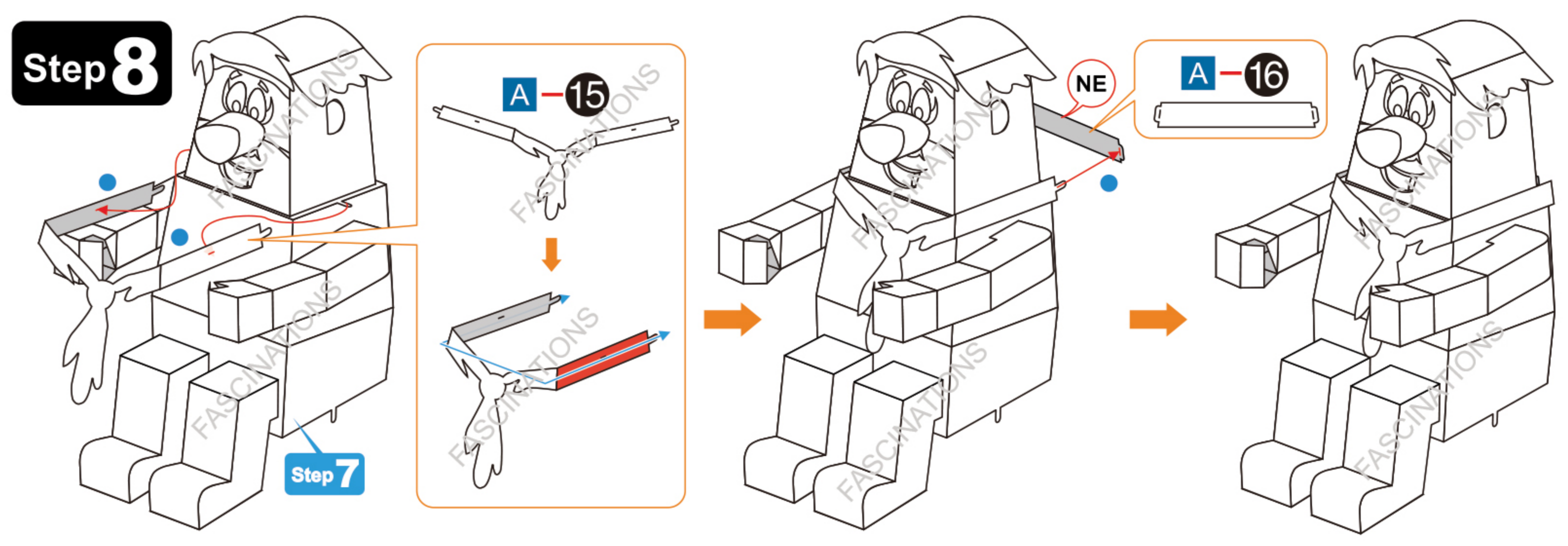
Step 6



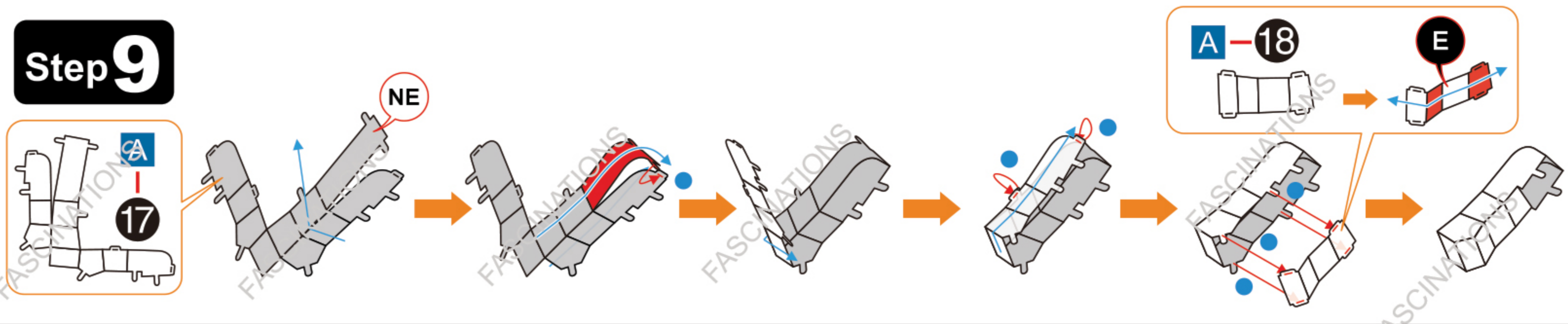
Step 7



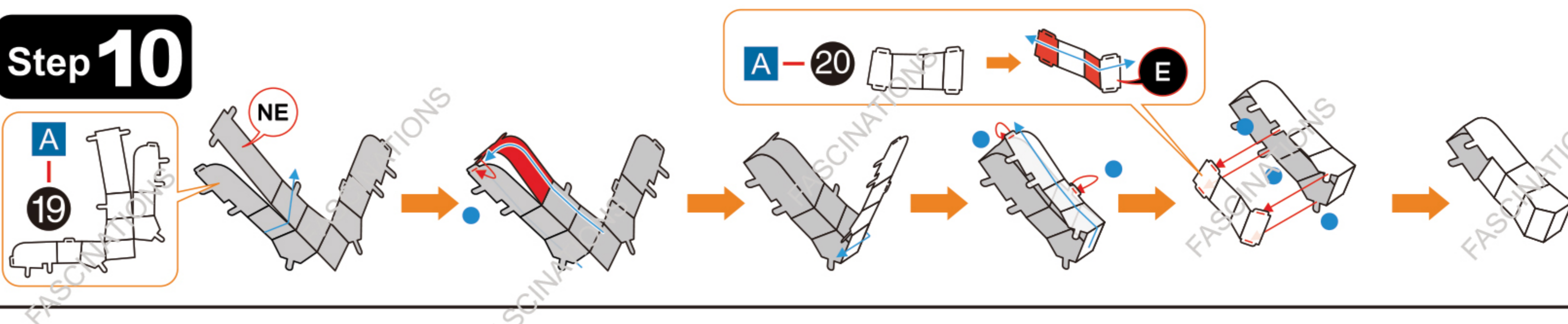
Step 8



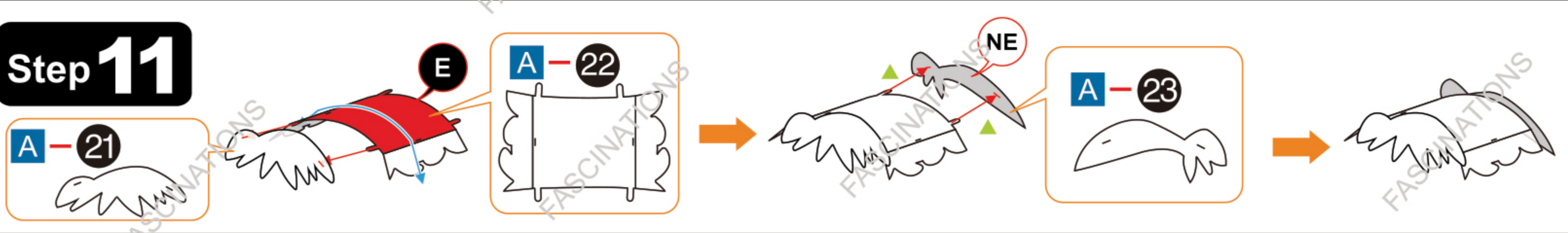
Step 9



Step 10



Step 11



Step 12

