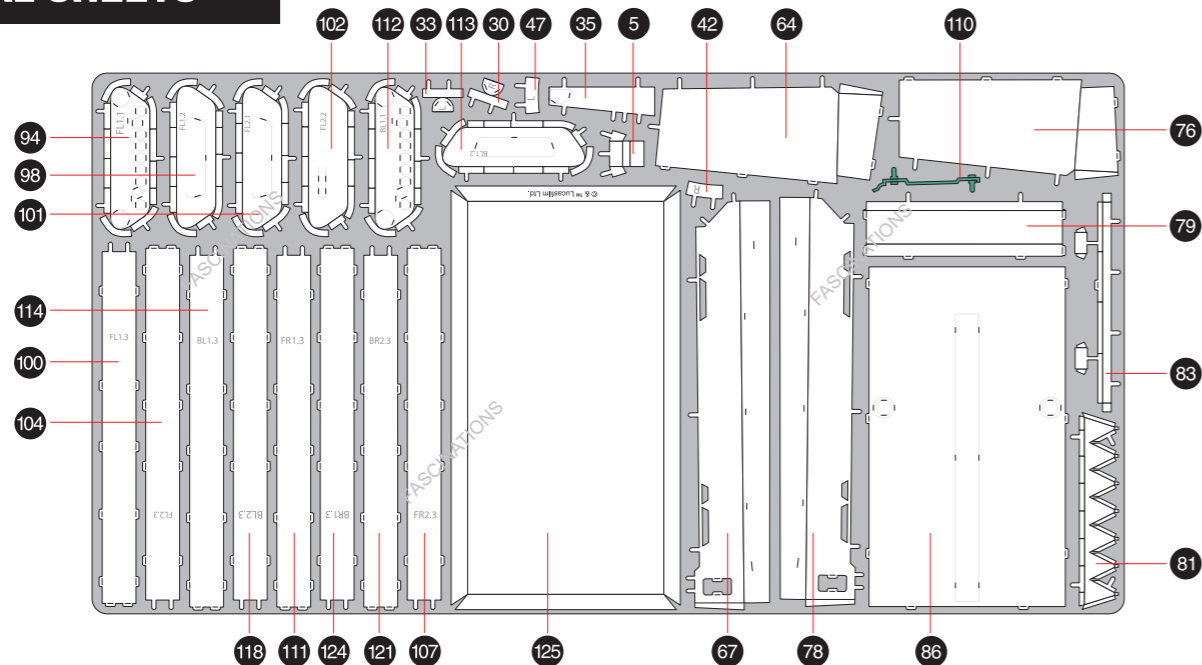


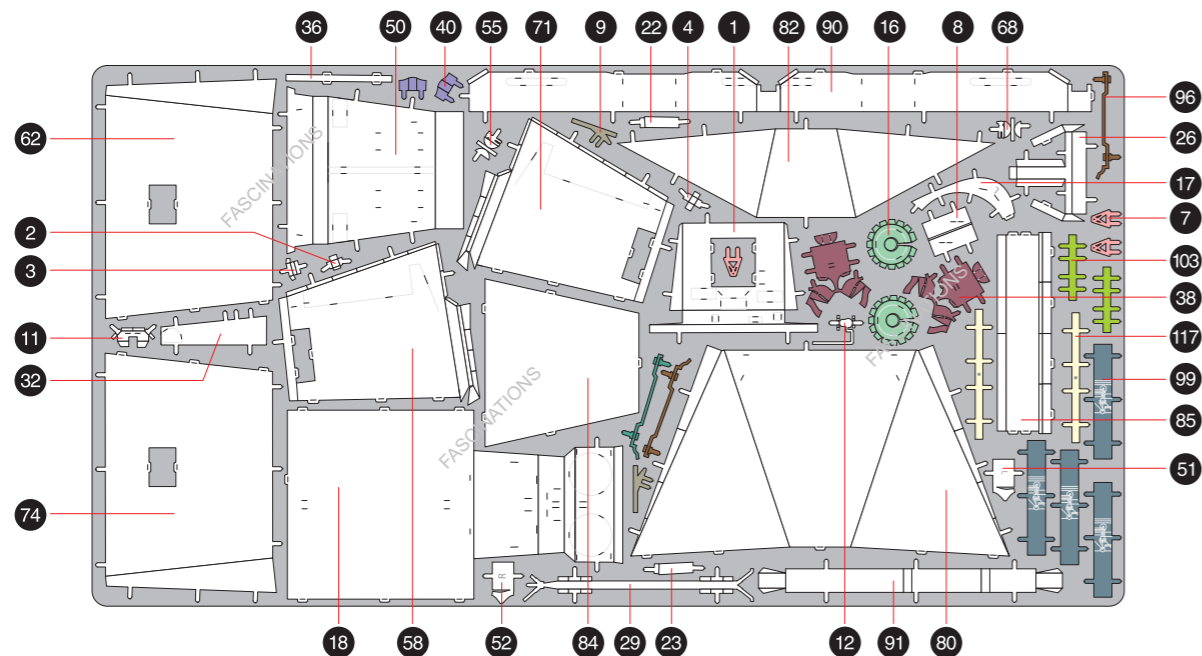
METAL SHEETS

Parts with same color are duplicates

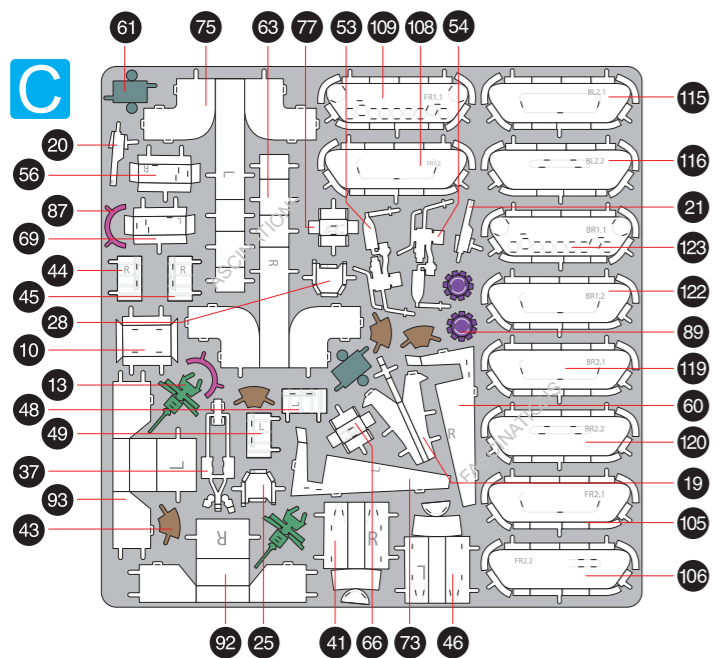
A



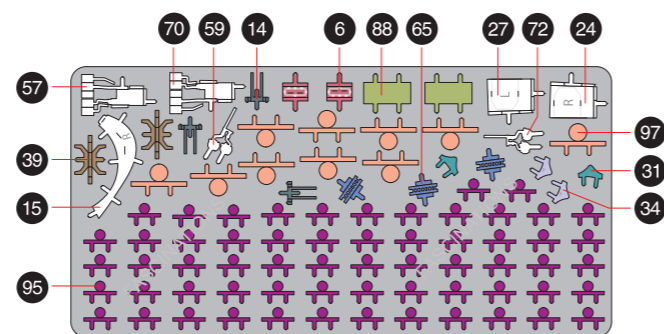
B



C



D



Metal Earth

360° view

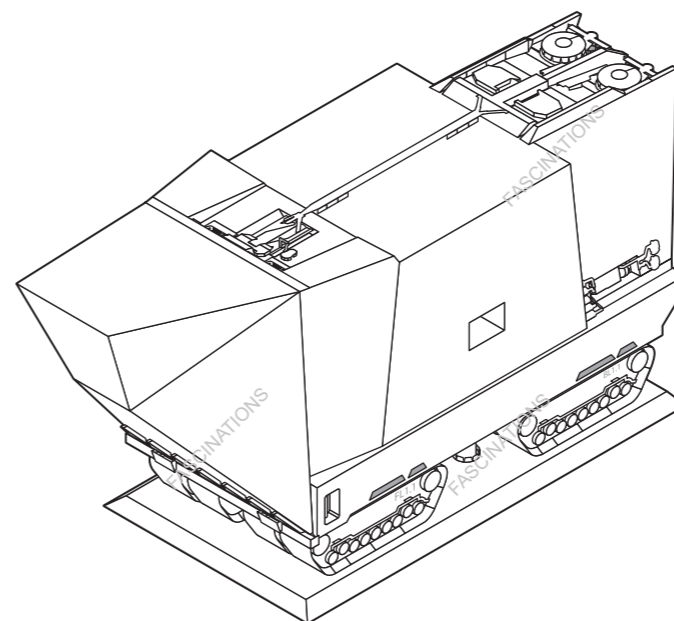


It is highly recommended that you visit www.metalearth.com/360/ICX237 to see the completed model before assembling your own

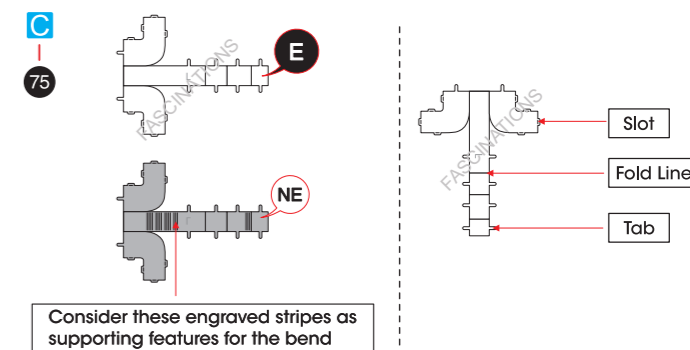
STAR WARS

www.starwars.com
© & ™ Lucasfilm Ltd.

ICX237 Jawa Sandcrawler™



TO CREATE THE BEST CONNECTIONS



Legends:

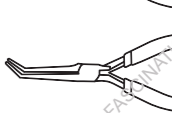
- E** Engraved/ Color side
- NE** Non - engraved/ Silver side
- Attention point
- Insert tab and bend 90 degrees
- Insert tab and twist 90 degrees

Recommended tools:

- Wire cutters: helpful for taking parts from the metal sheets.



- Tweezers or needle nose pliers: helpful for folding parts, bending and twisting tabs.



Assembly tip:

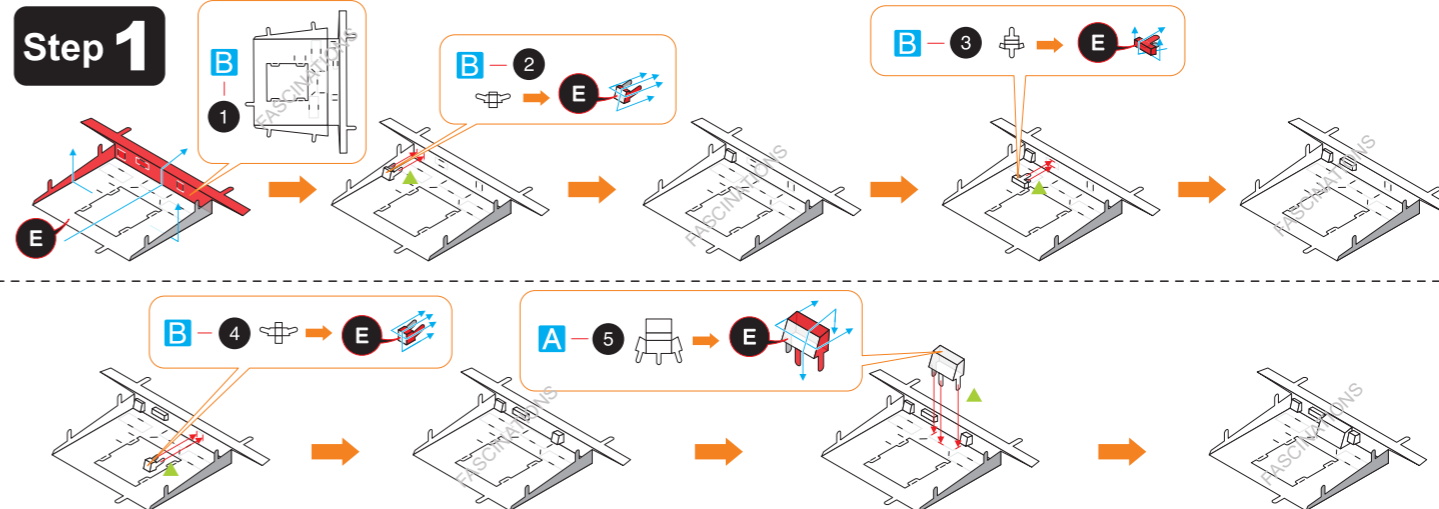
If needed, slightly twist tabs to hold parts together then untwist and bend them down for a nice finish.

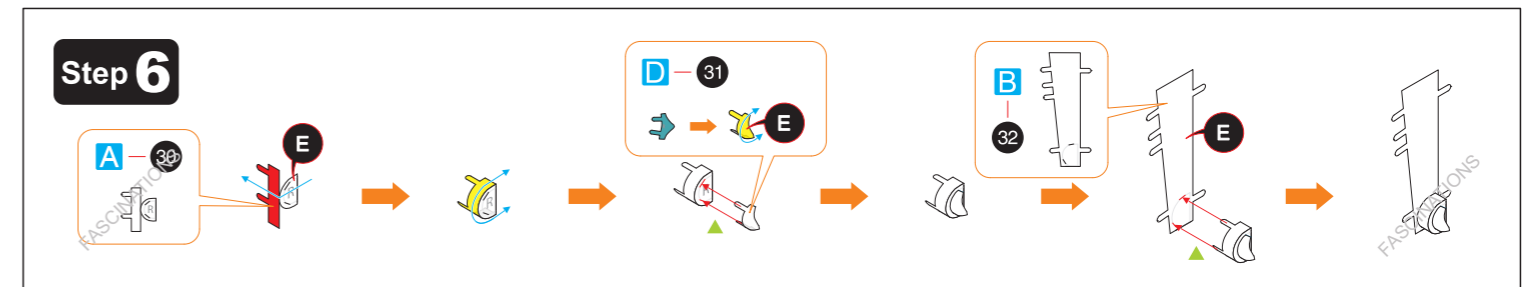
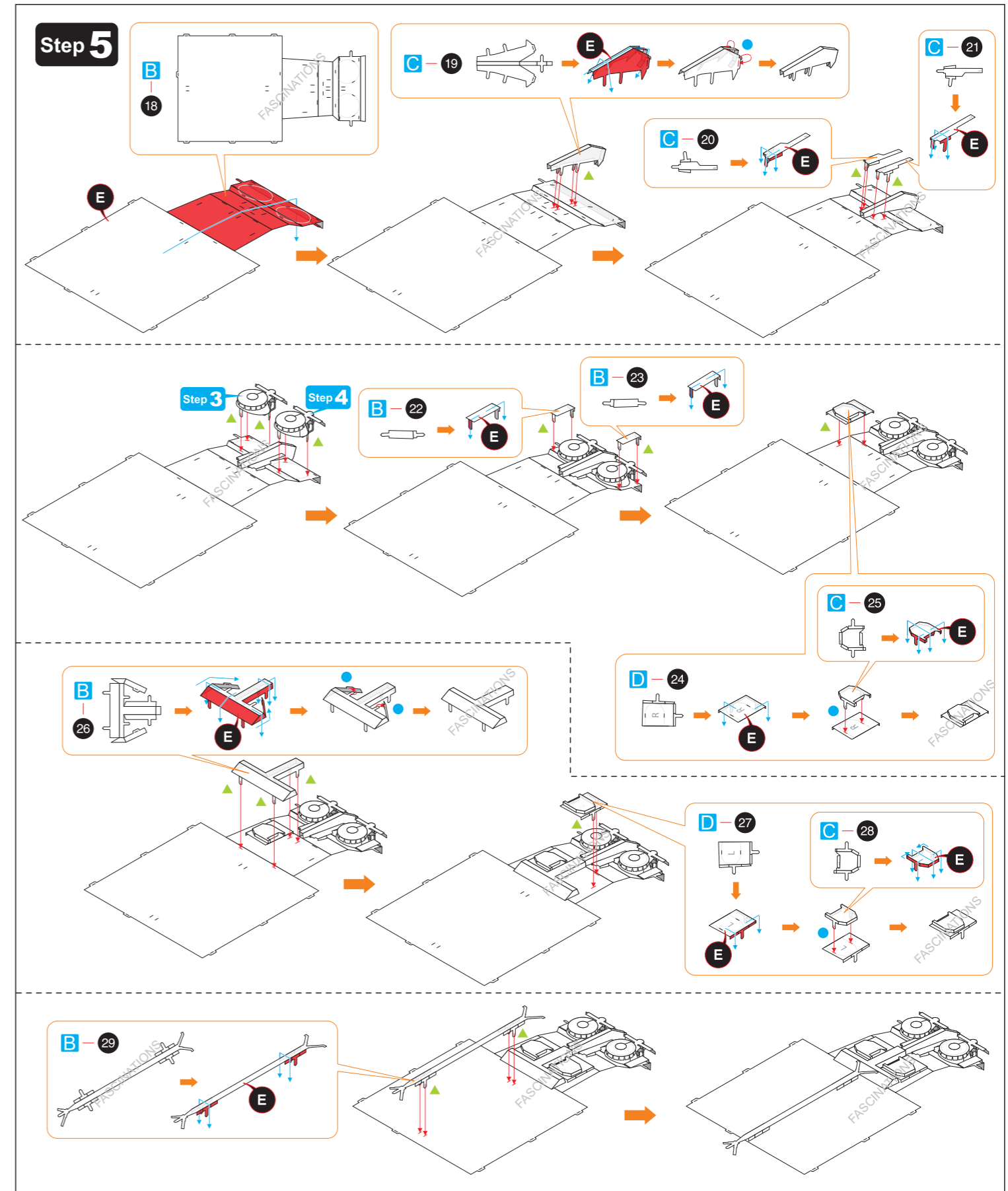
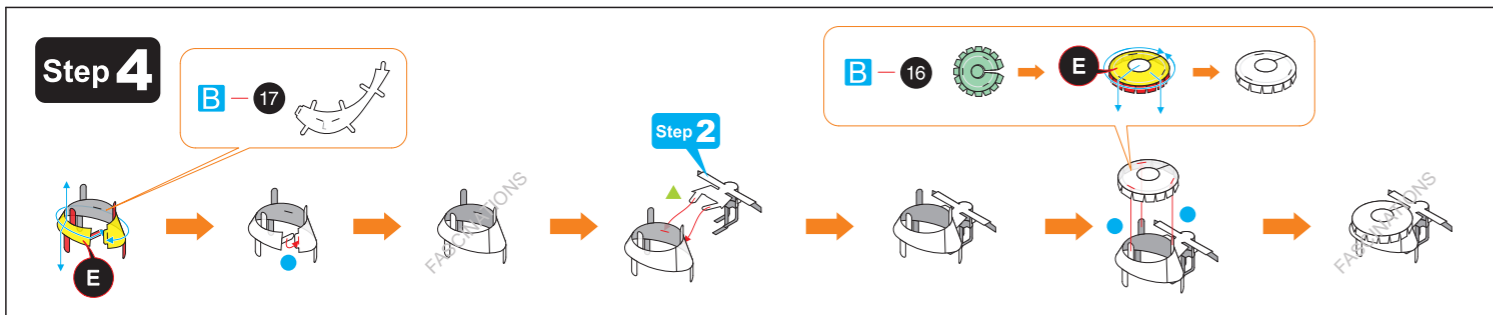
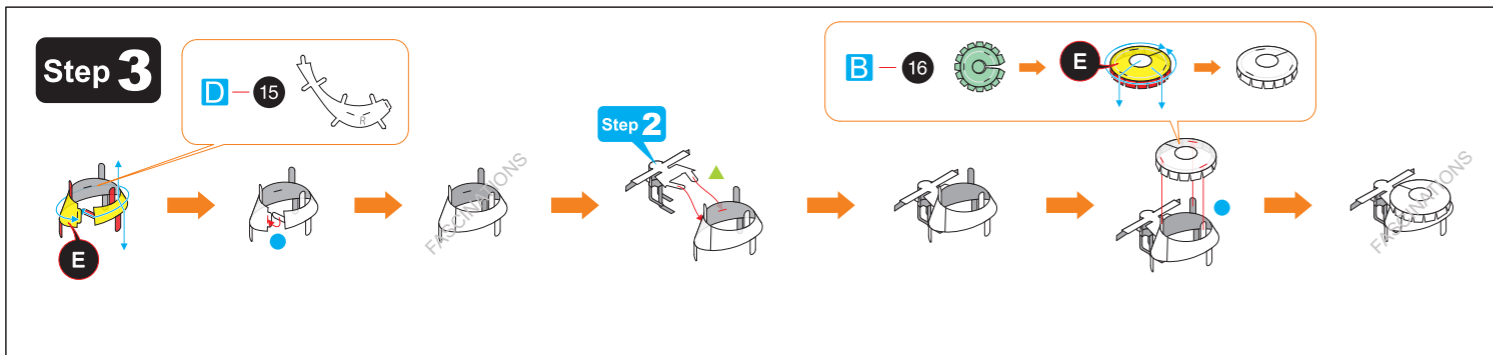
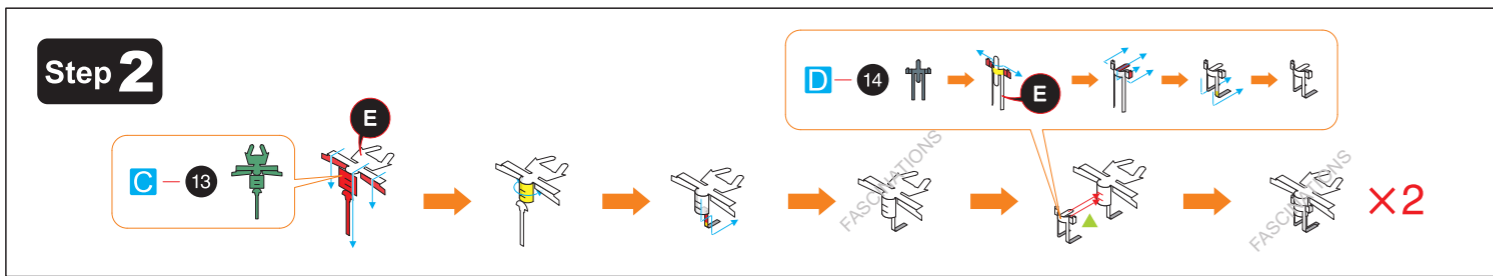
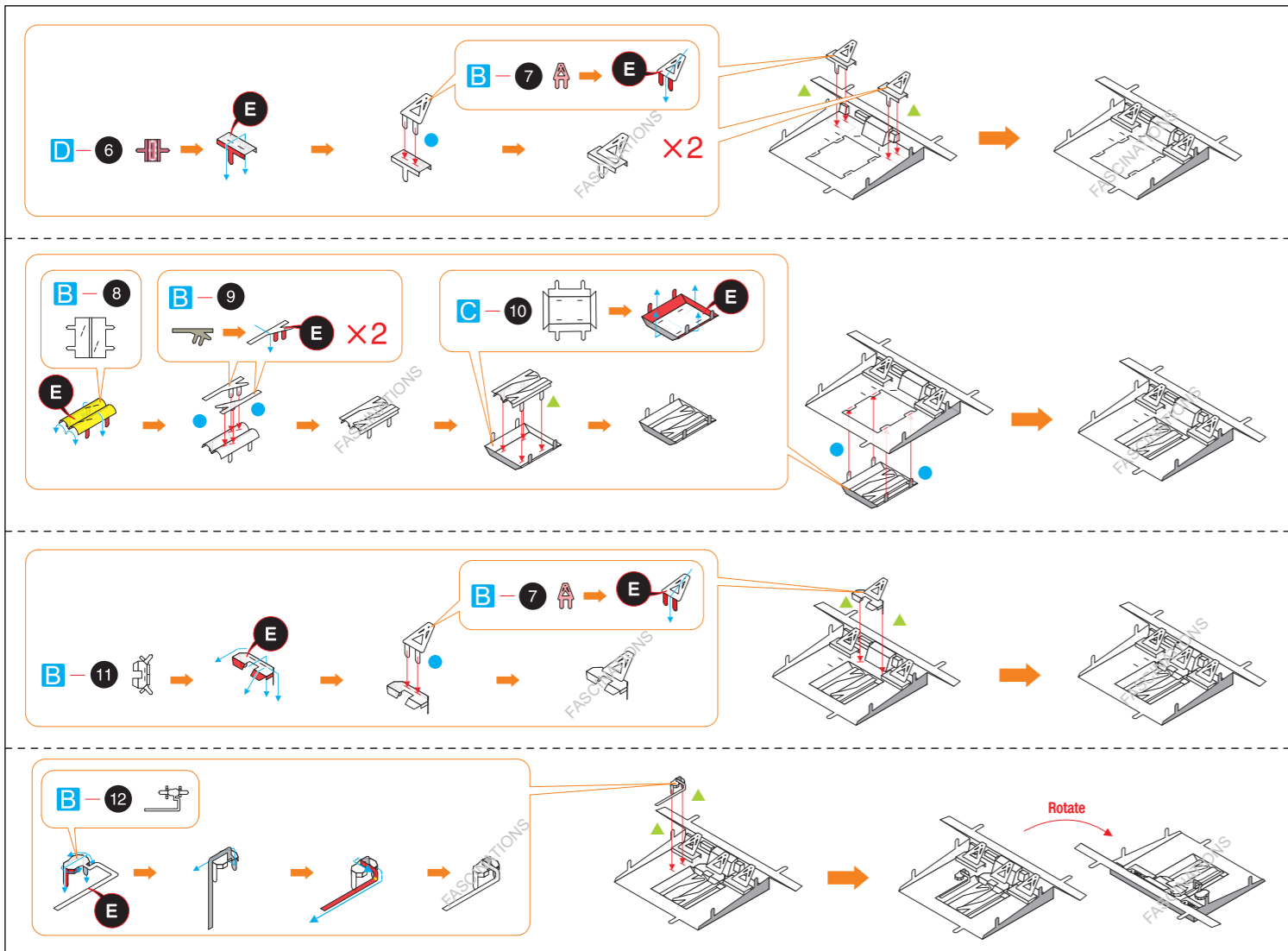
Yellow areas should be curled

Red areas should be folded

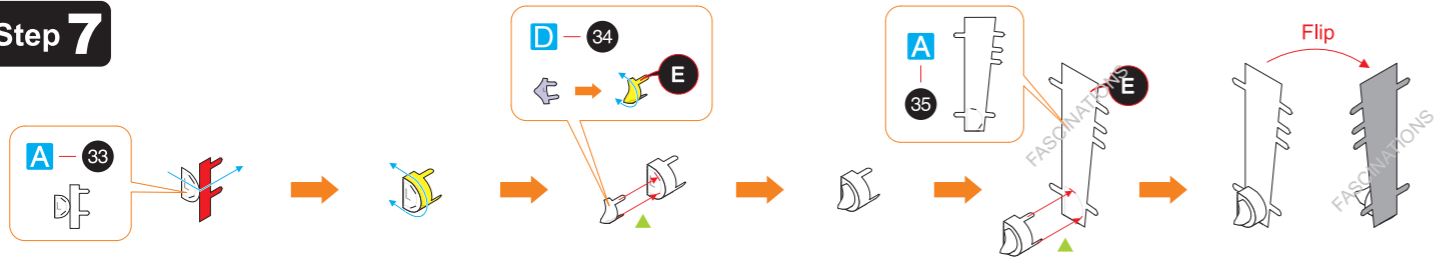
In order to avoid possible injury from sharp edges, please carefully discard the metal sheets after parts have been removed.

ASSEMBLY STEPS

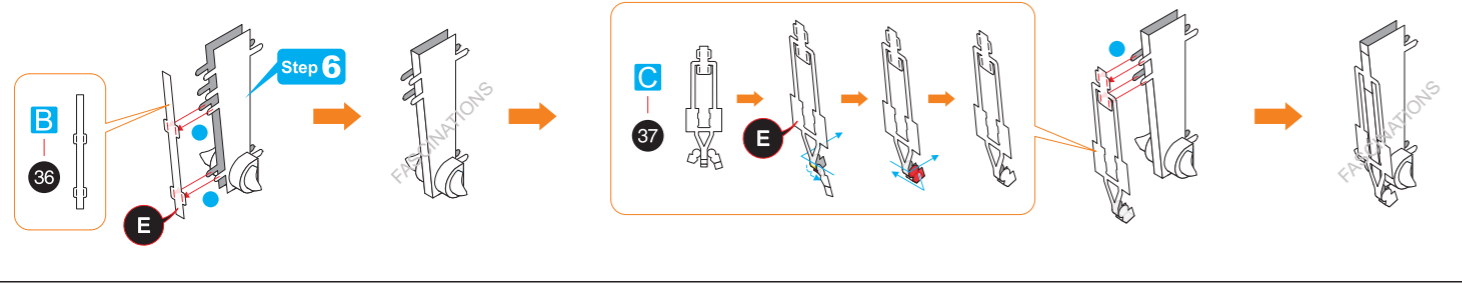




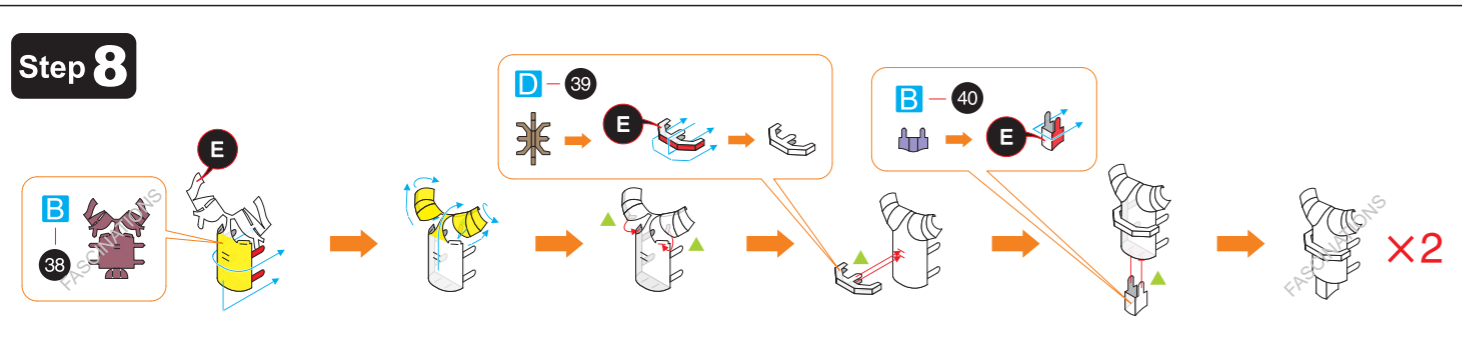
Step 7



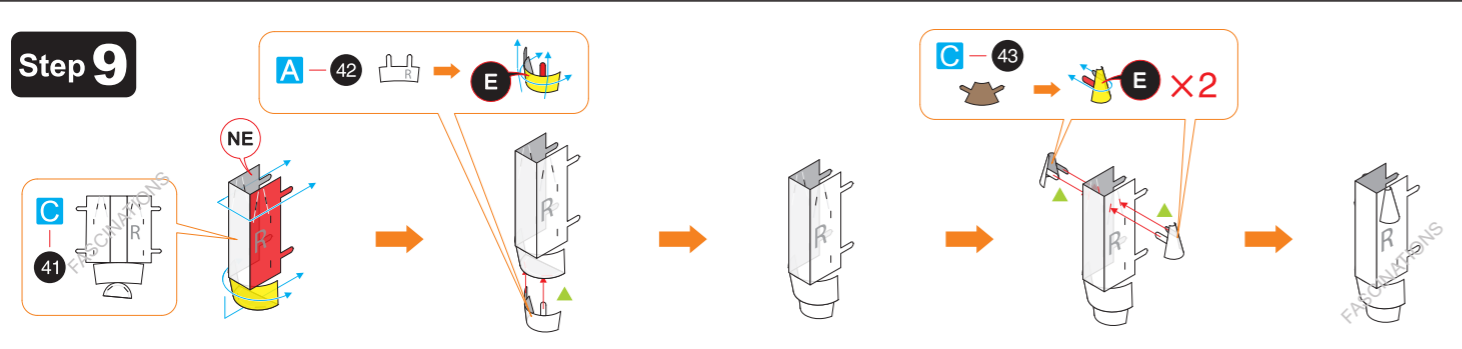
Step 6



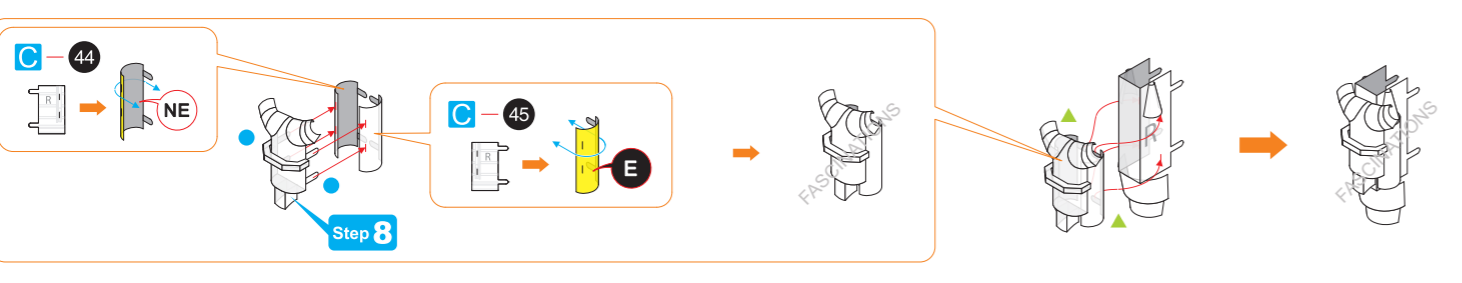
Step 8



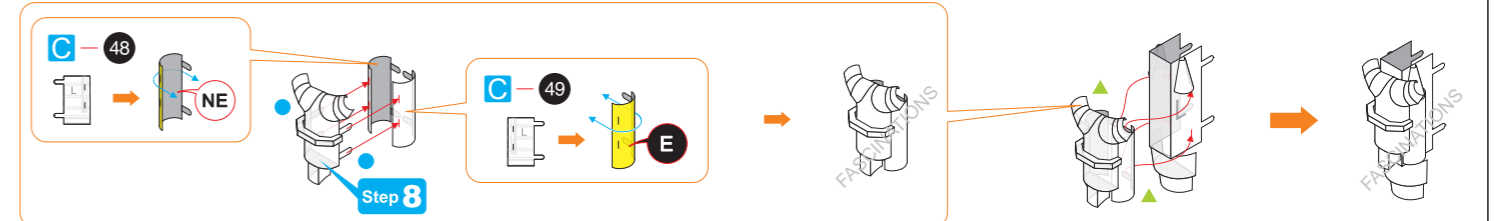
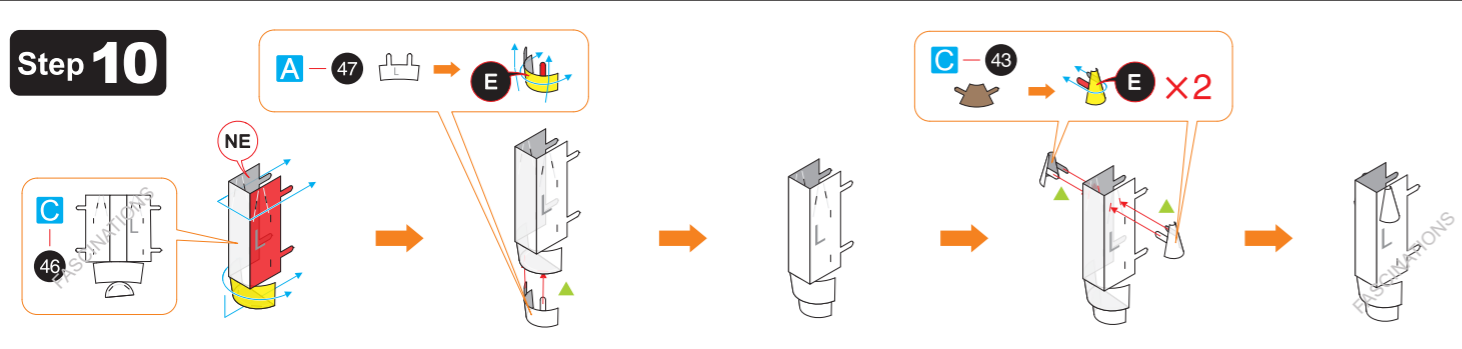
Step 9



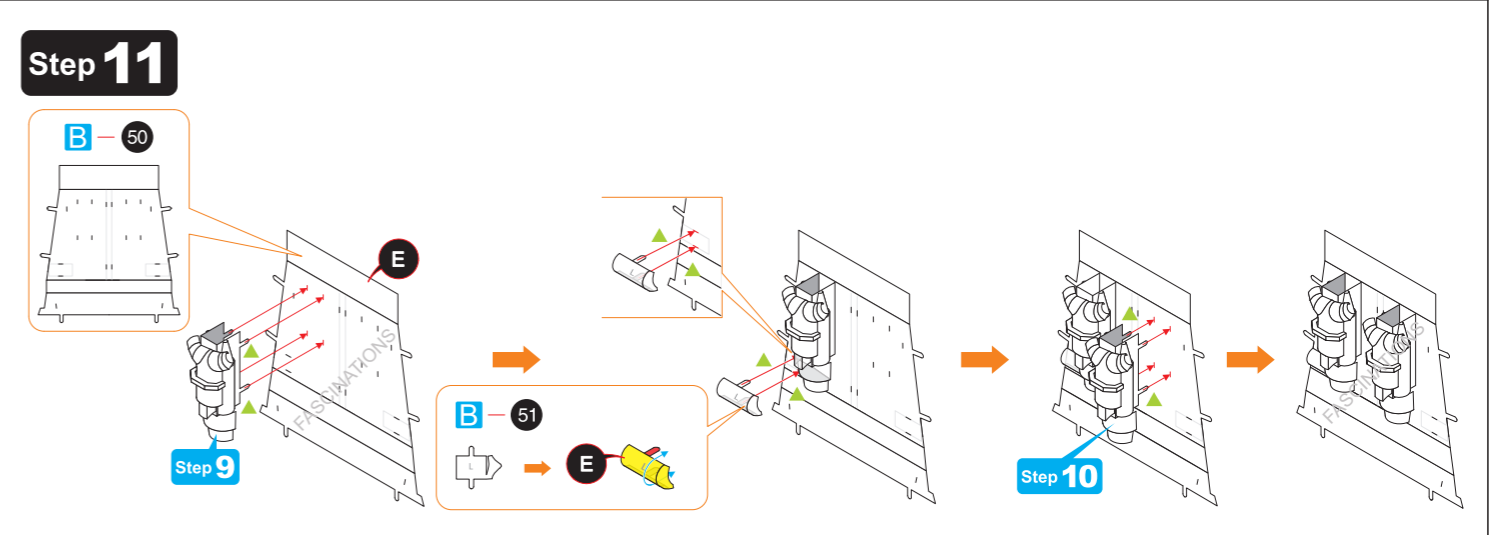
Step 8



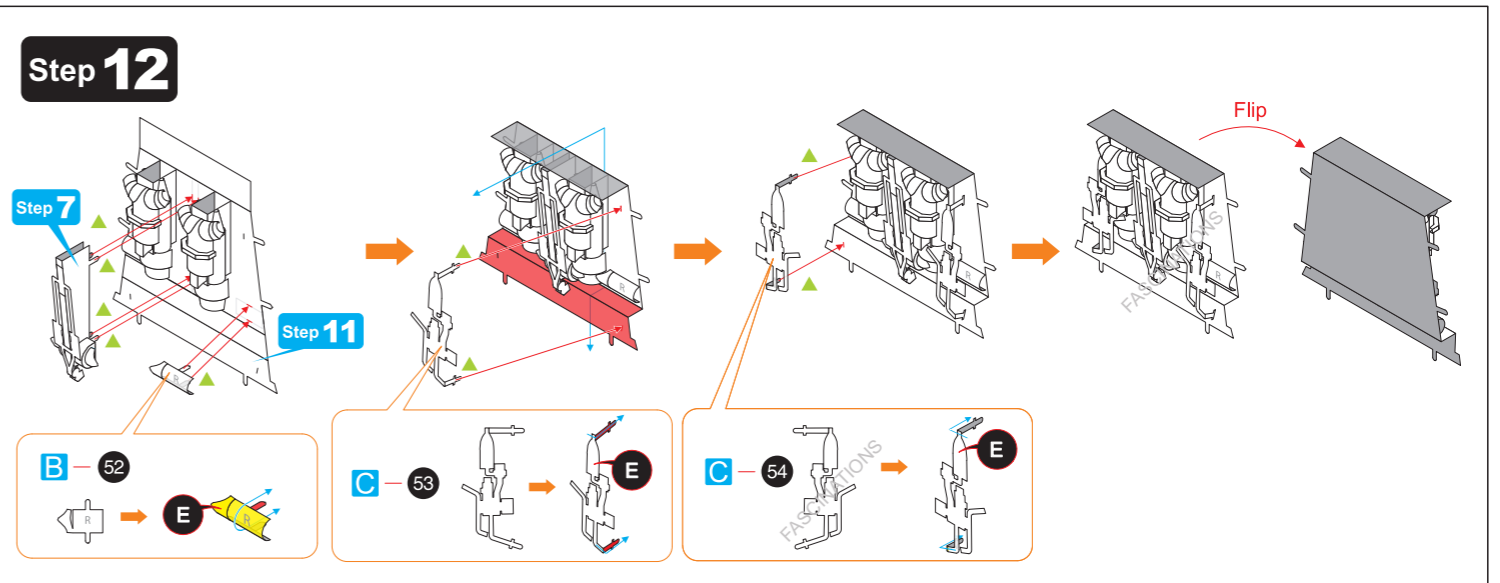
Step 10



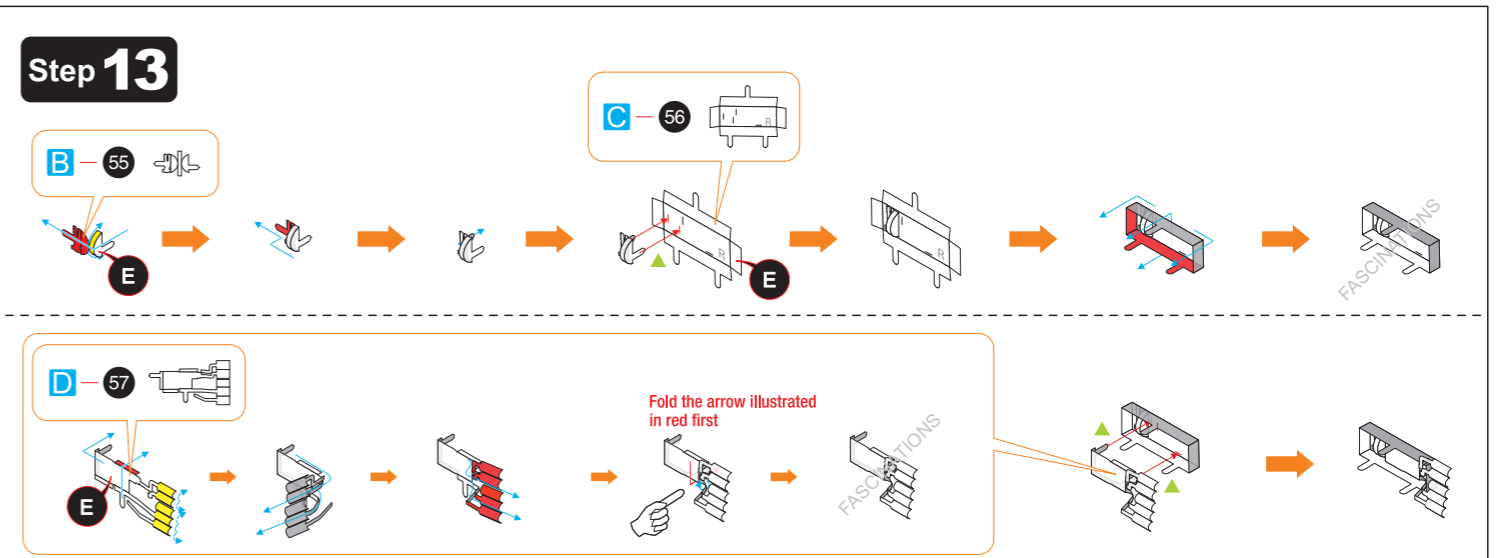
Step 11

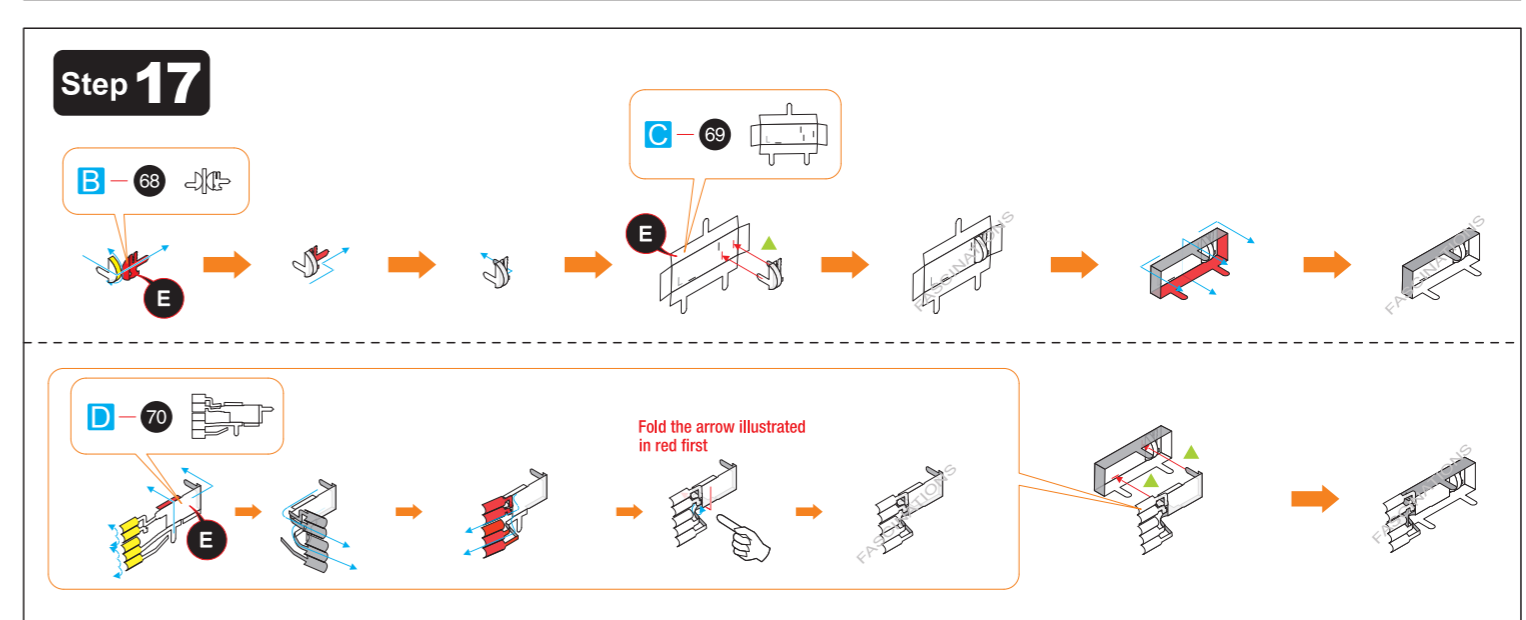
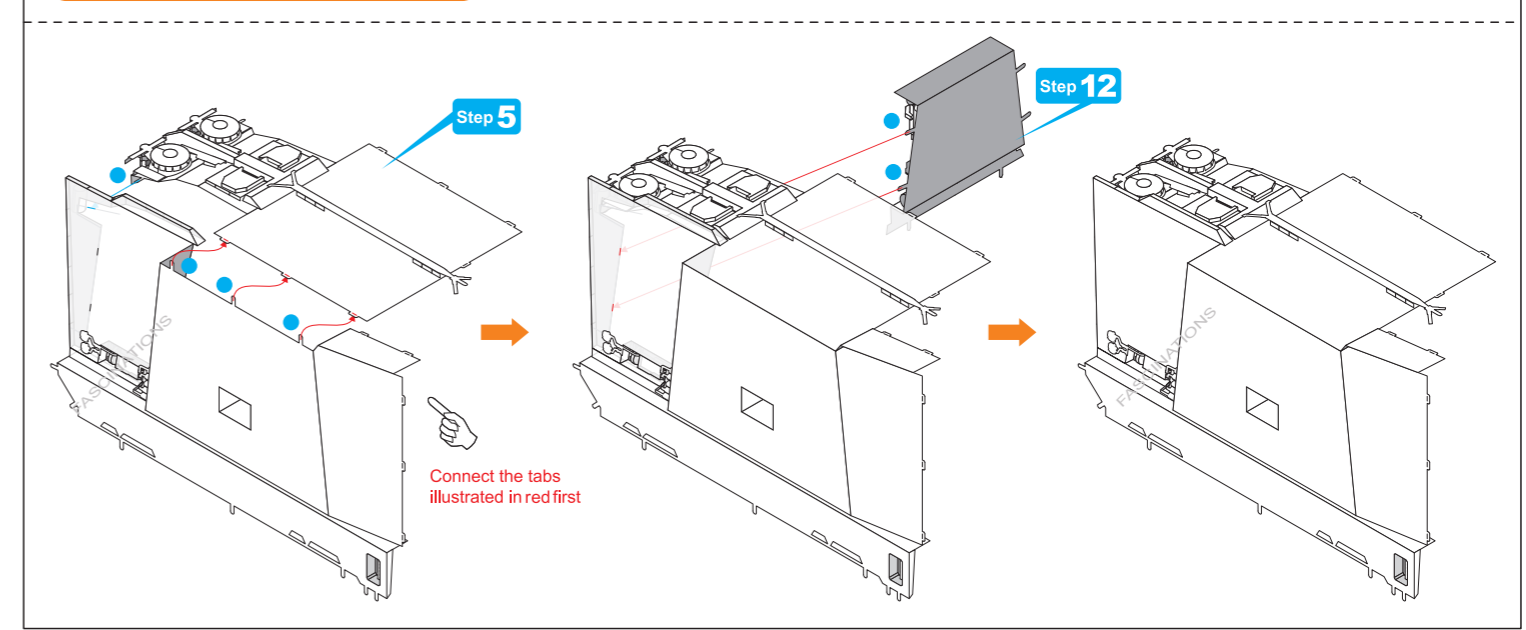
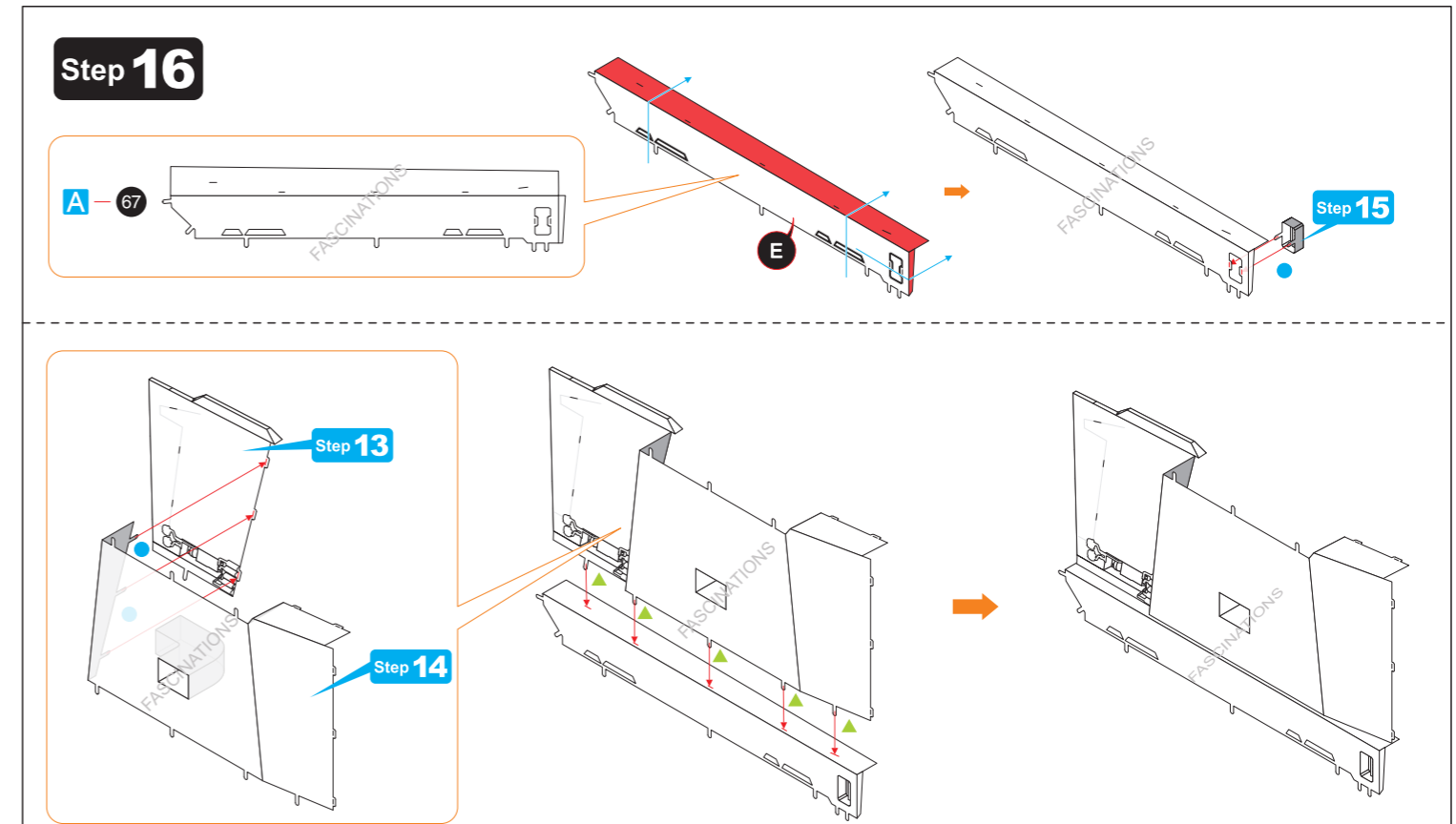
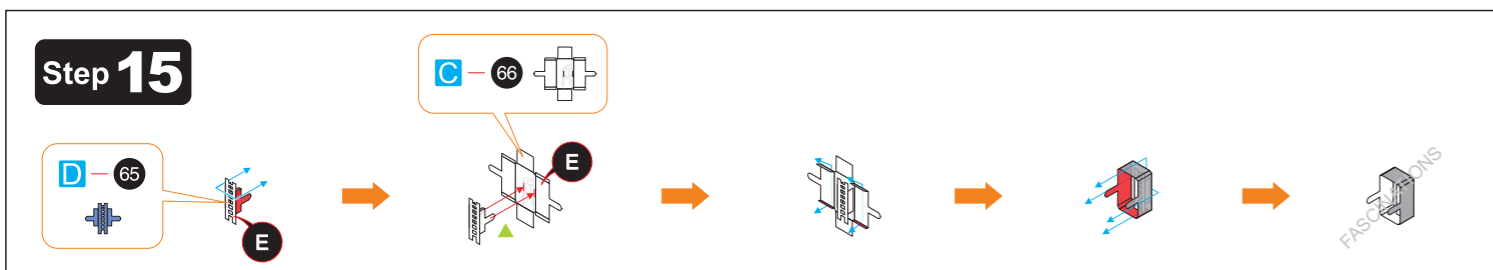
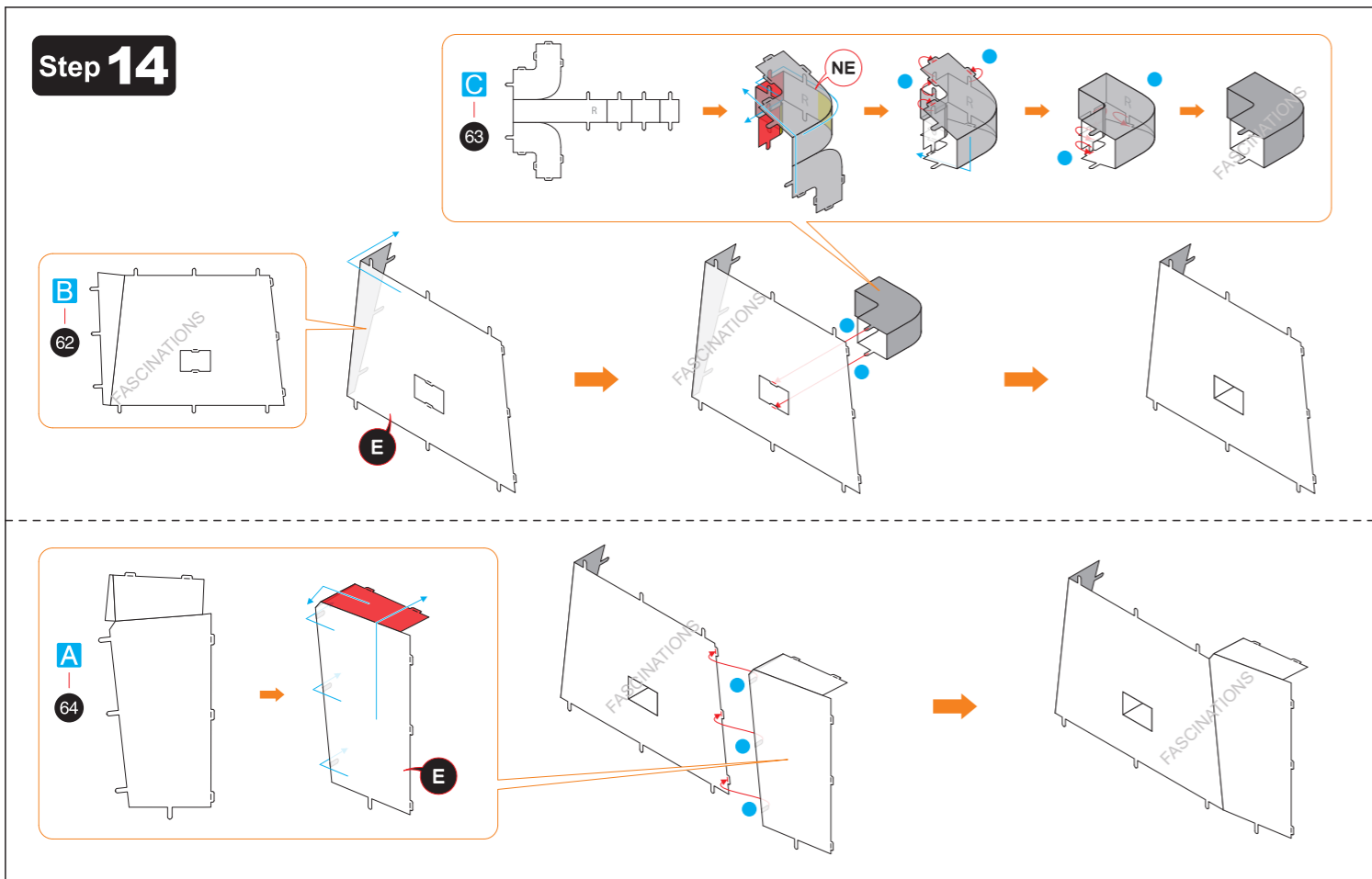
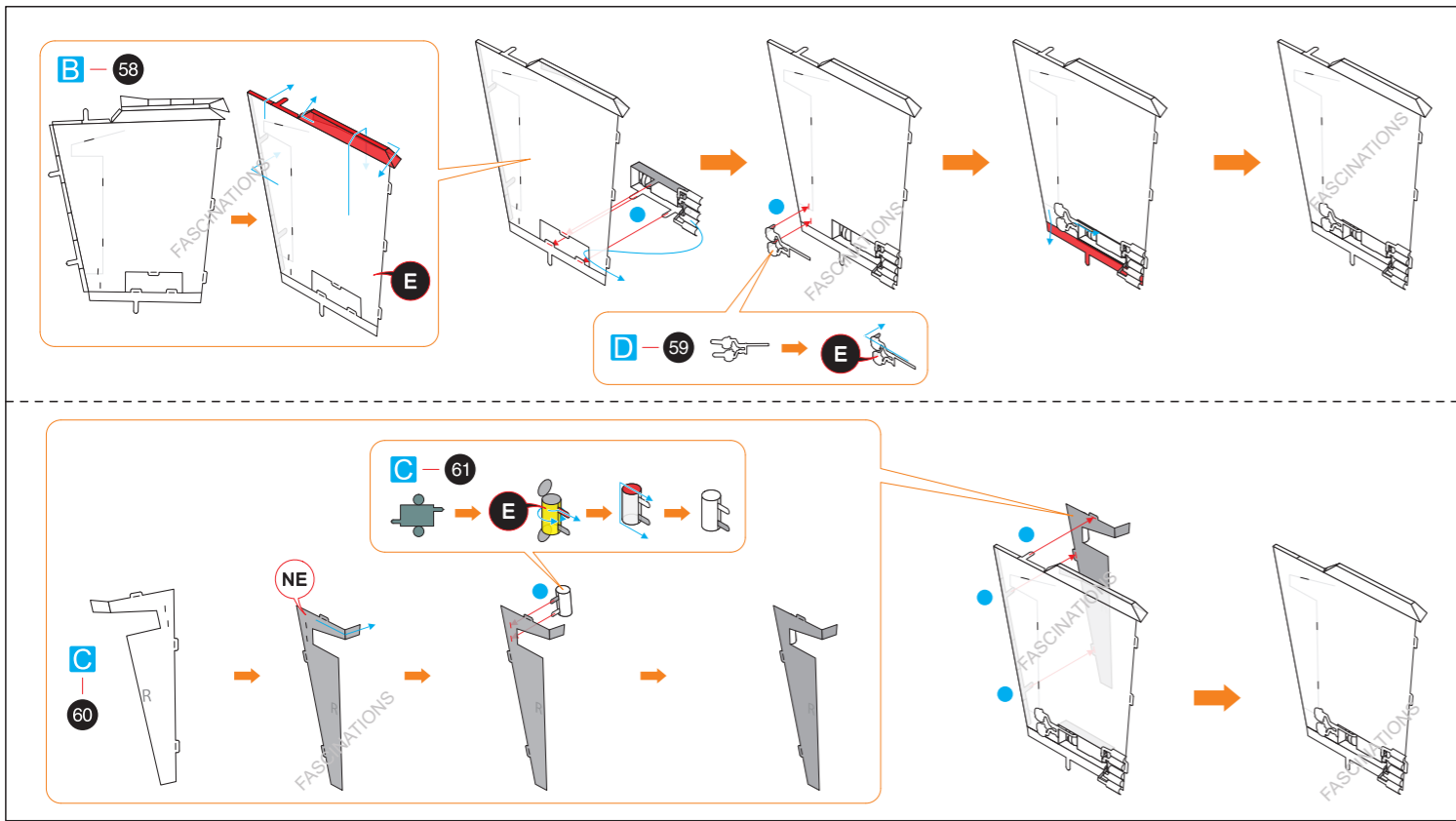


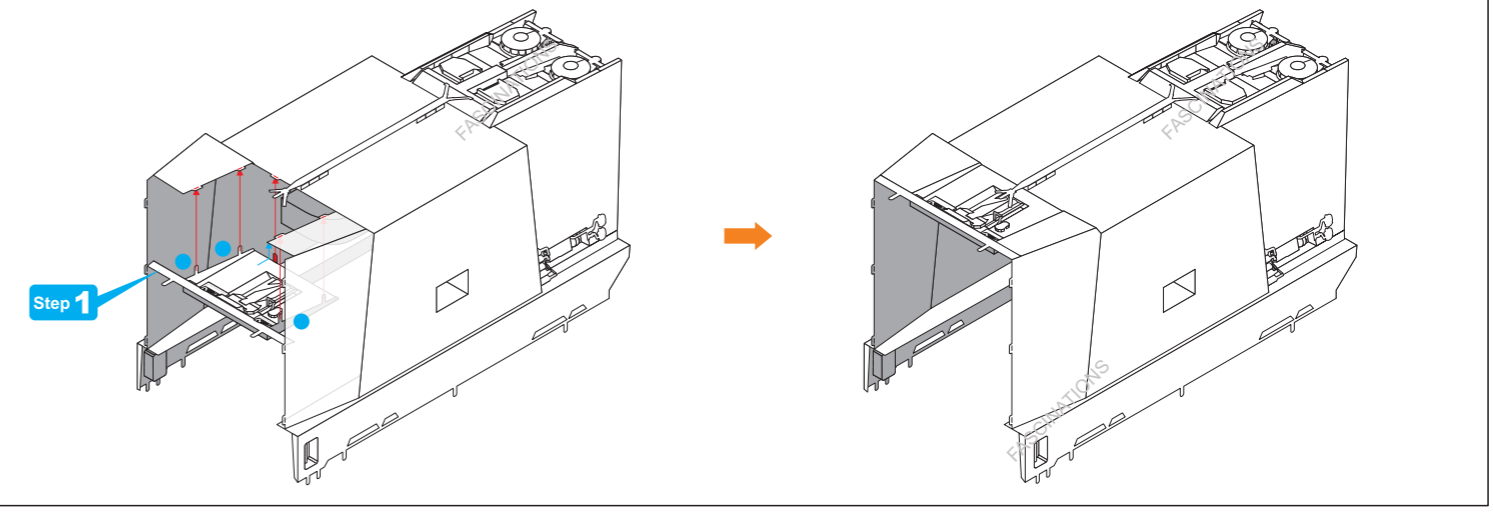
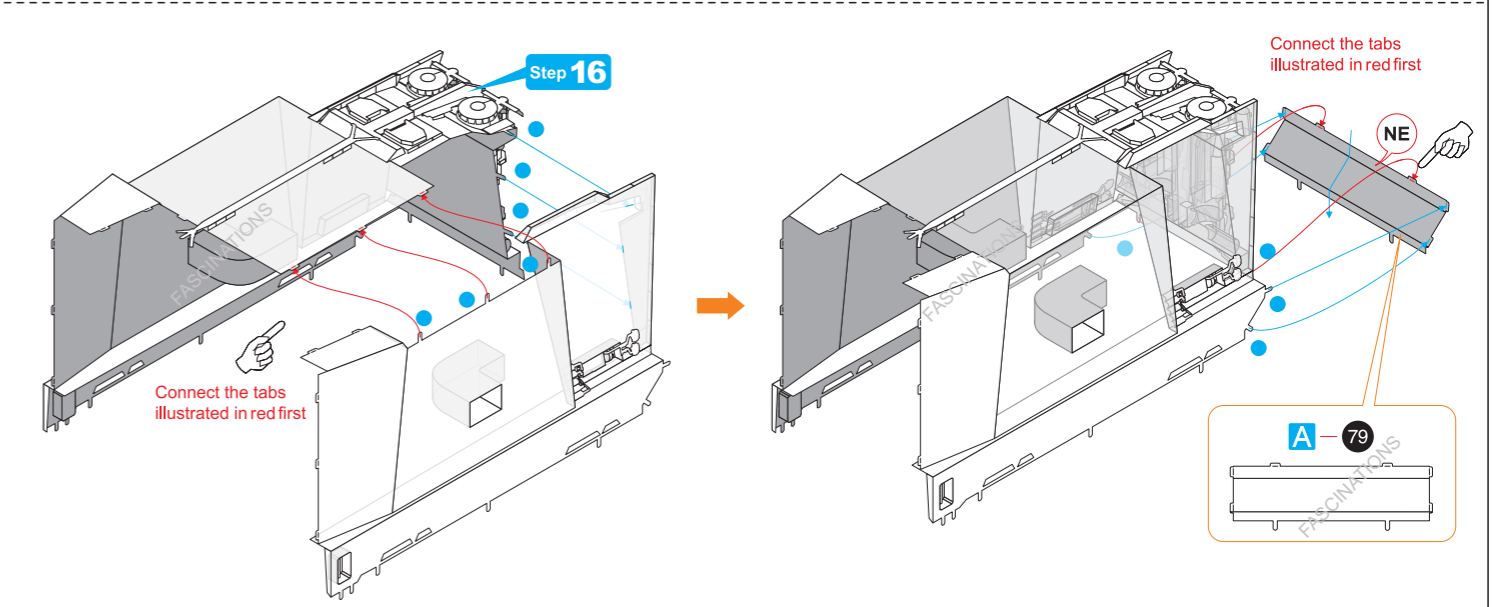
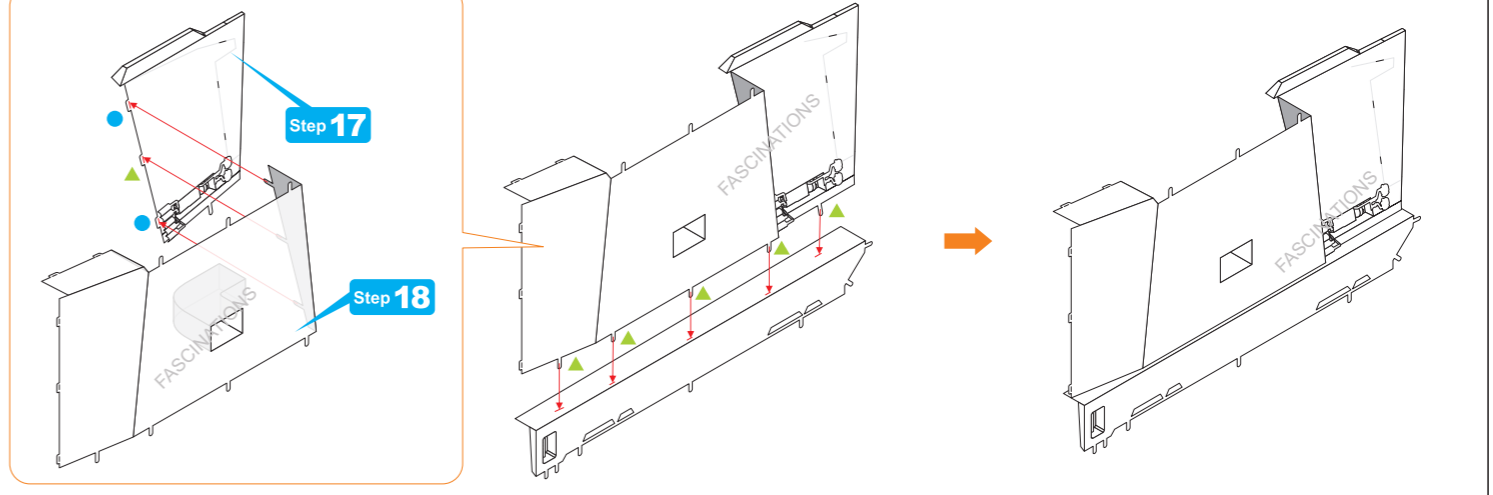
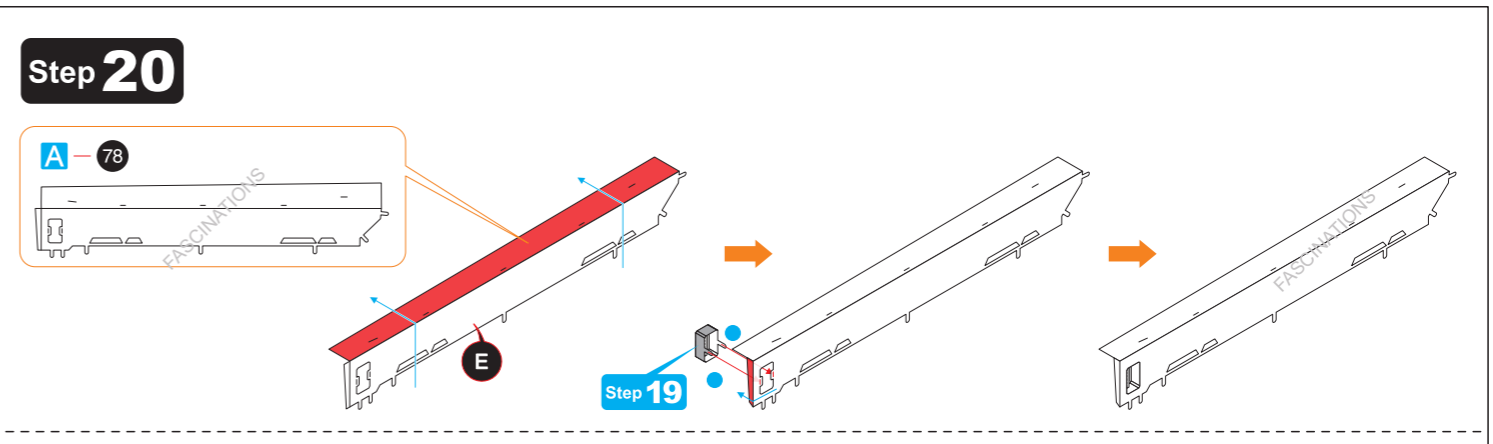
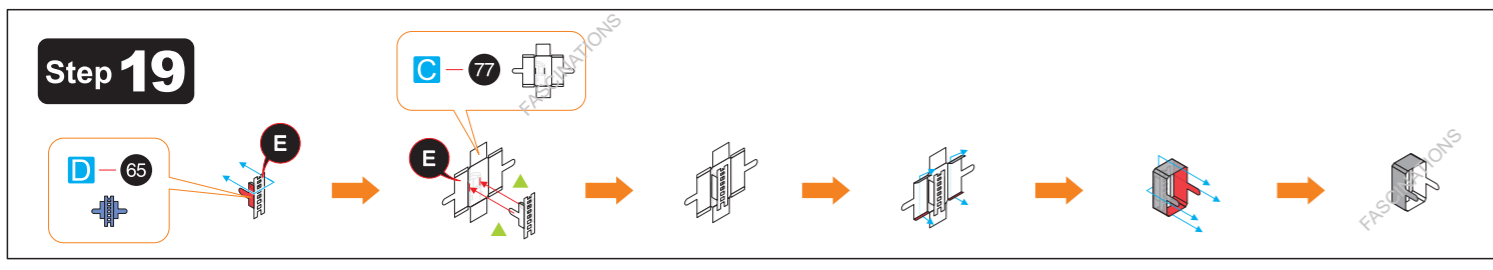
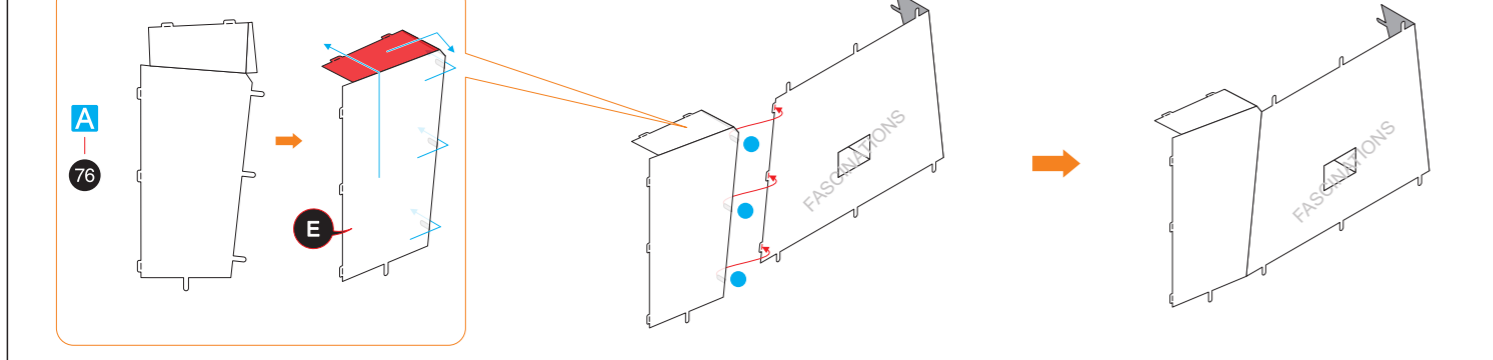
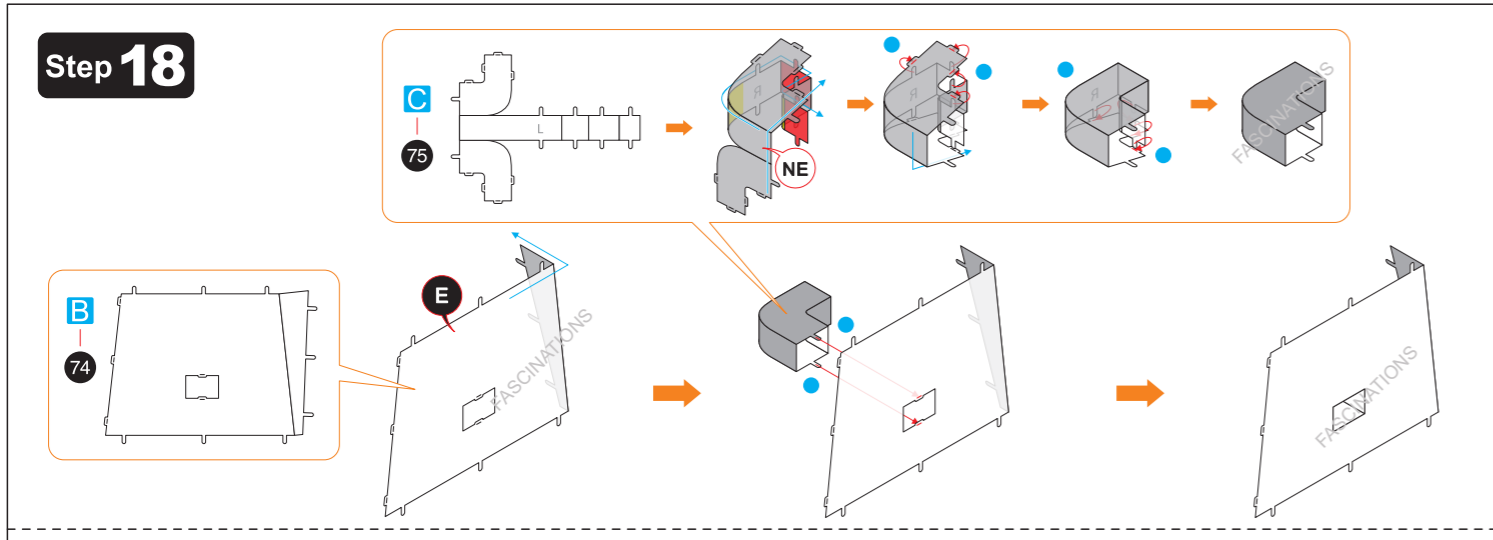
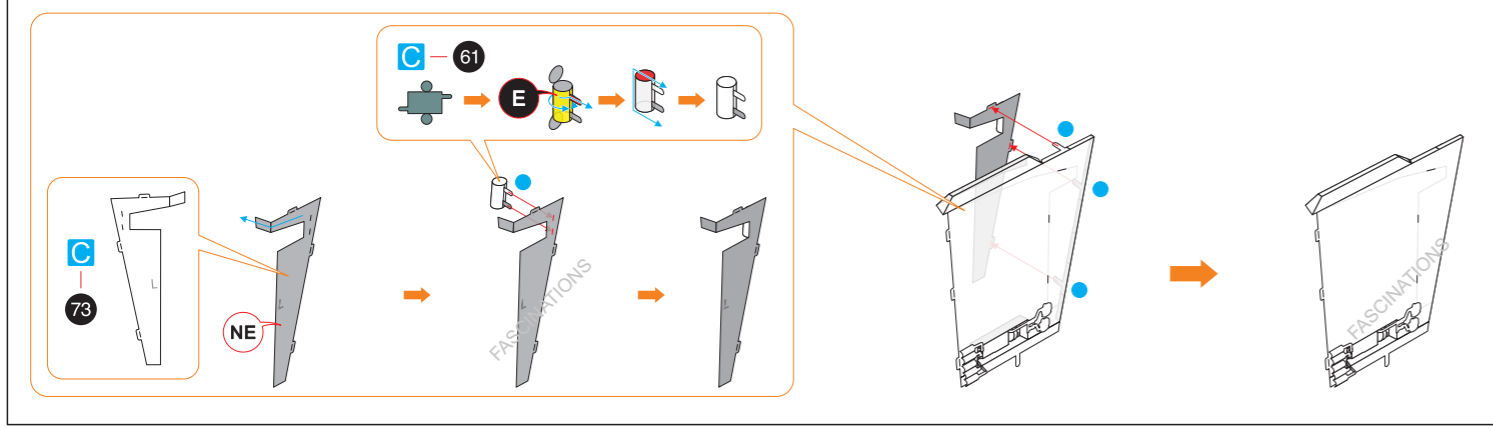
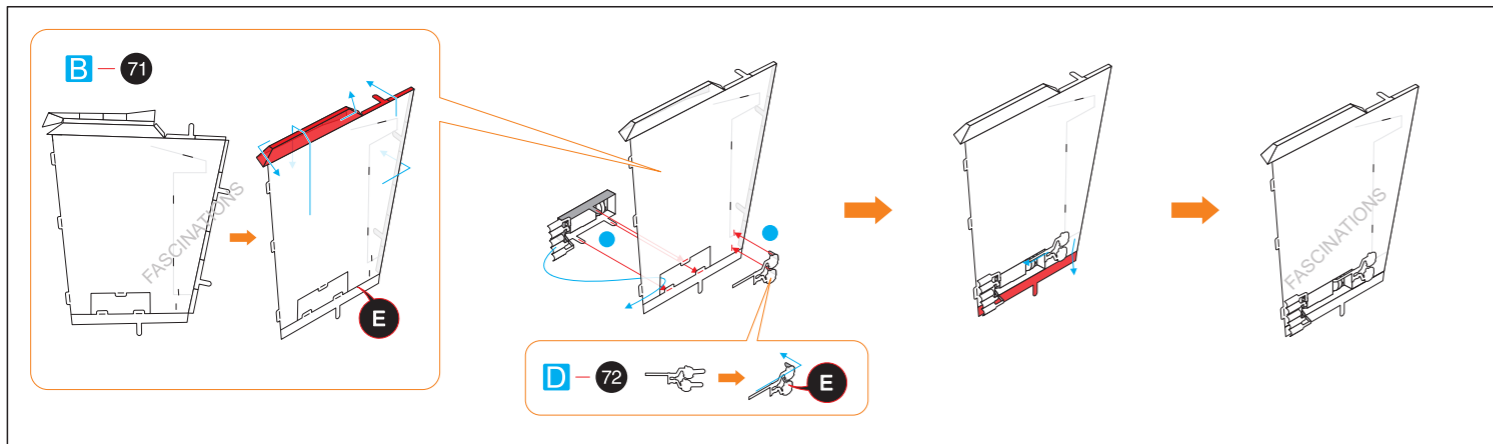
Step 12



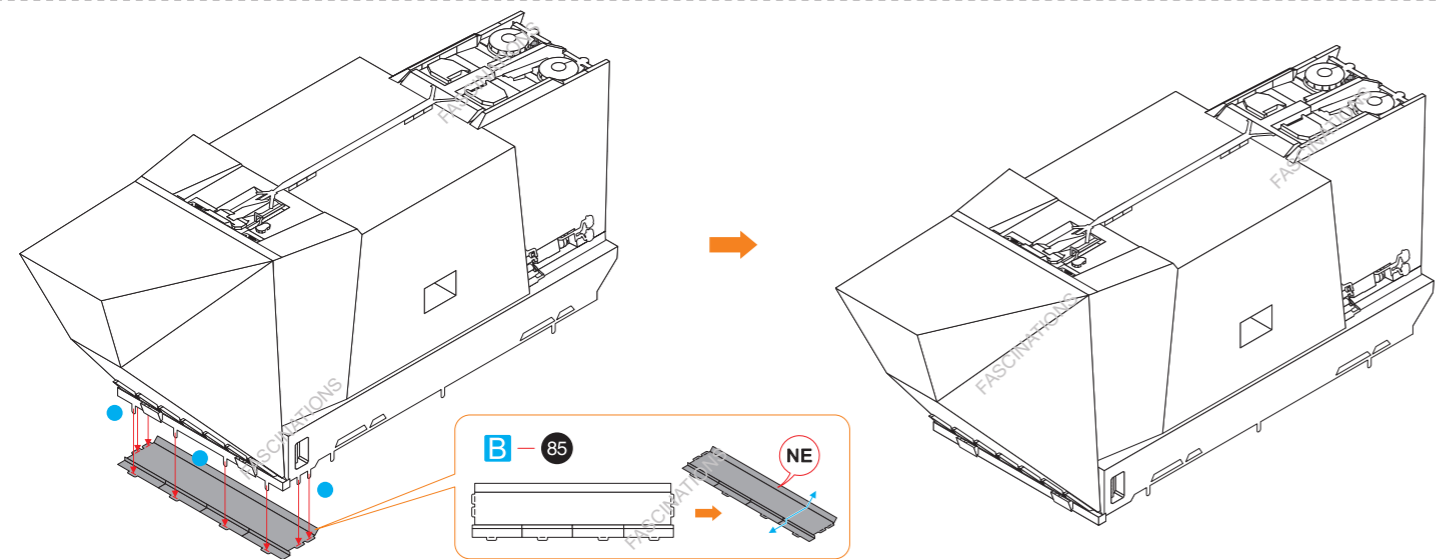
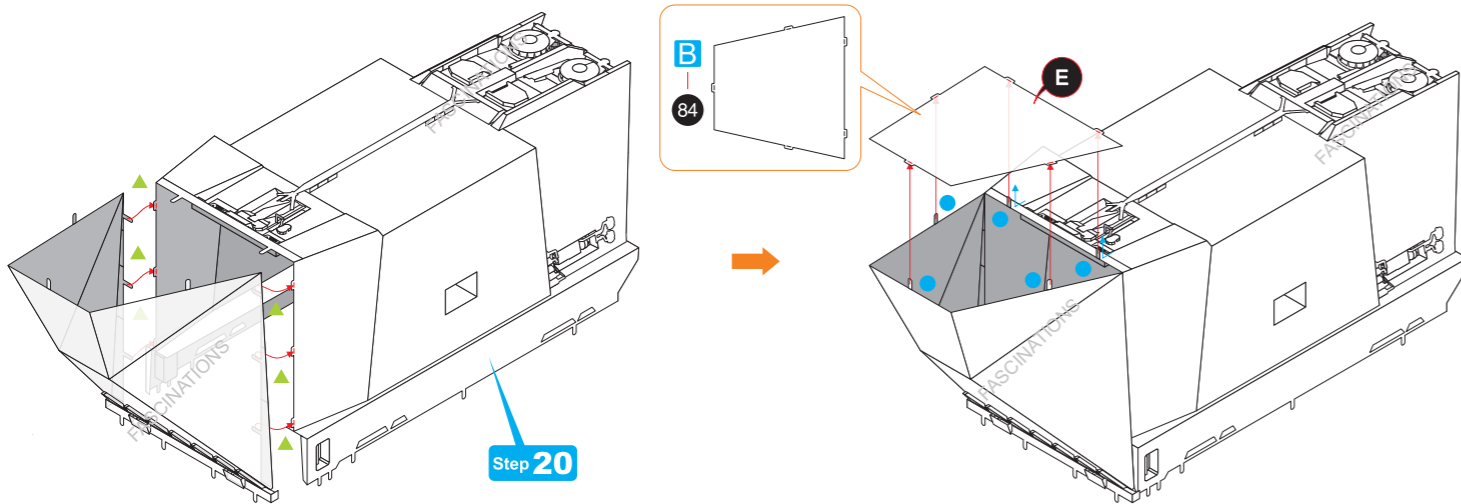
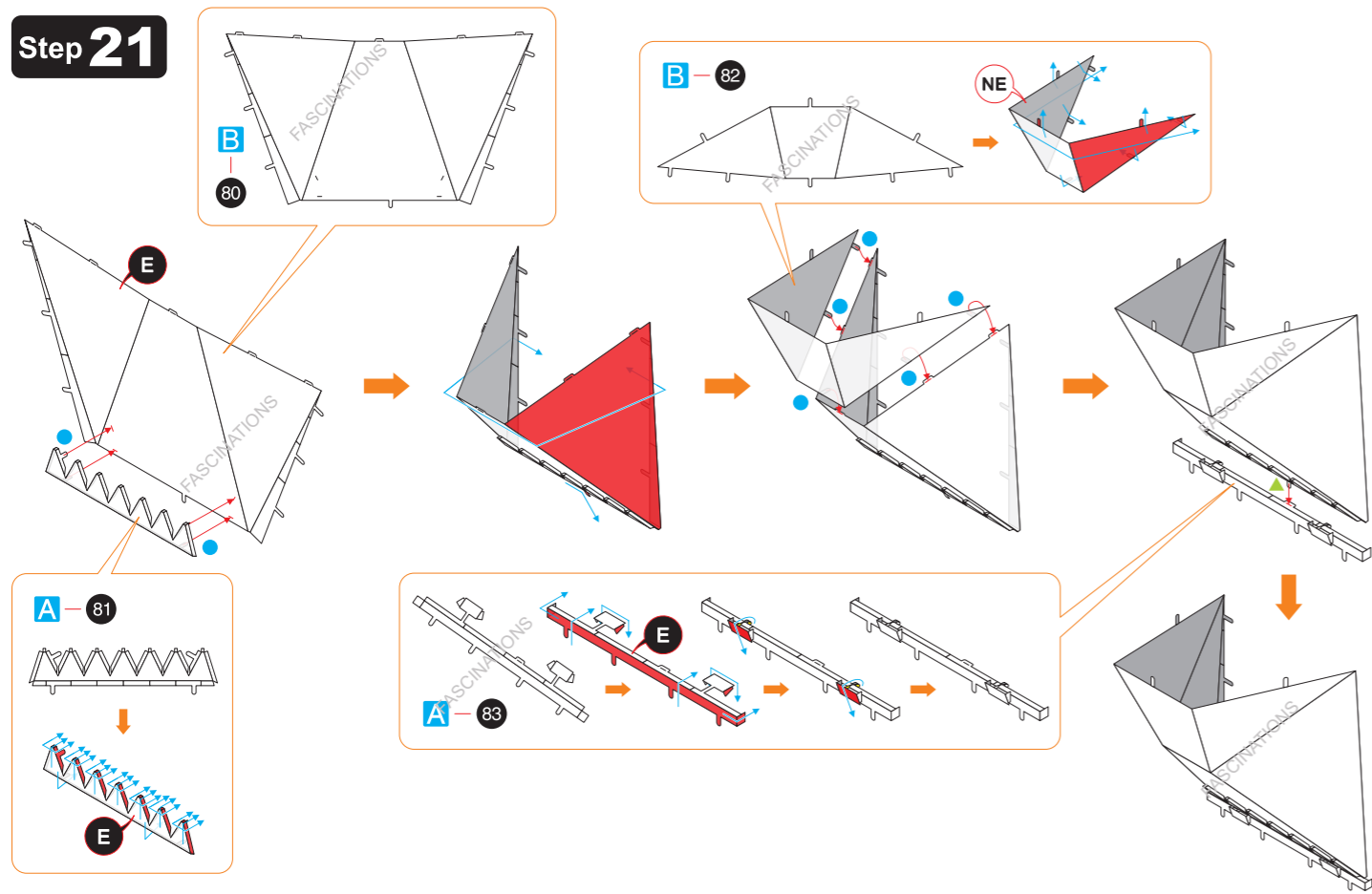
Step 13



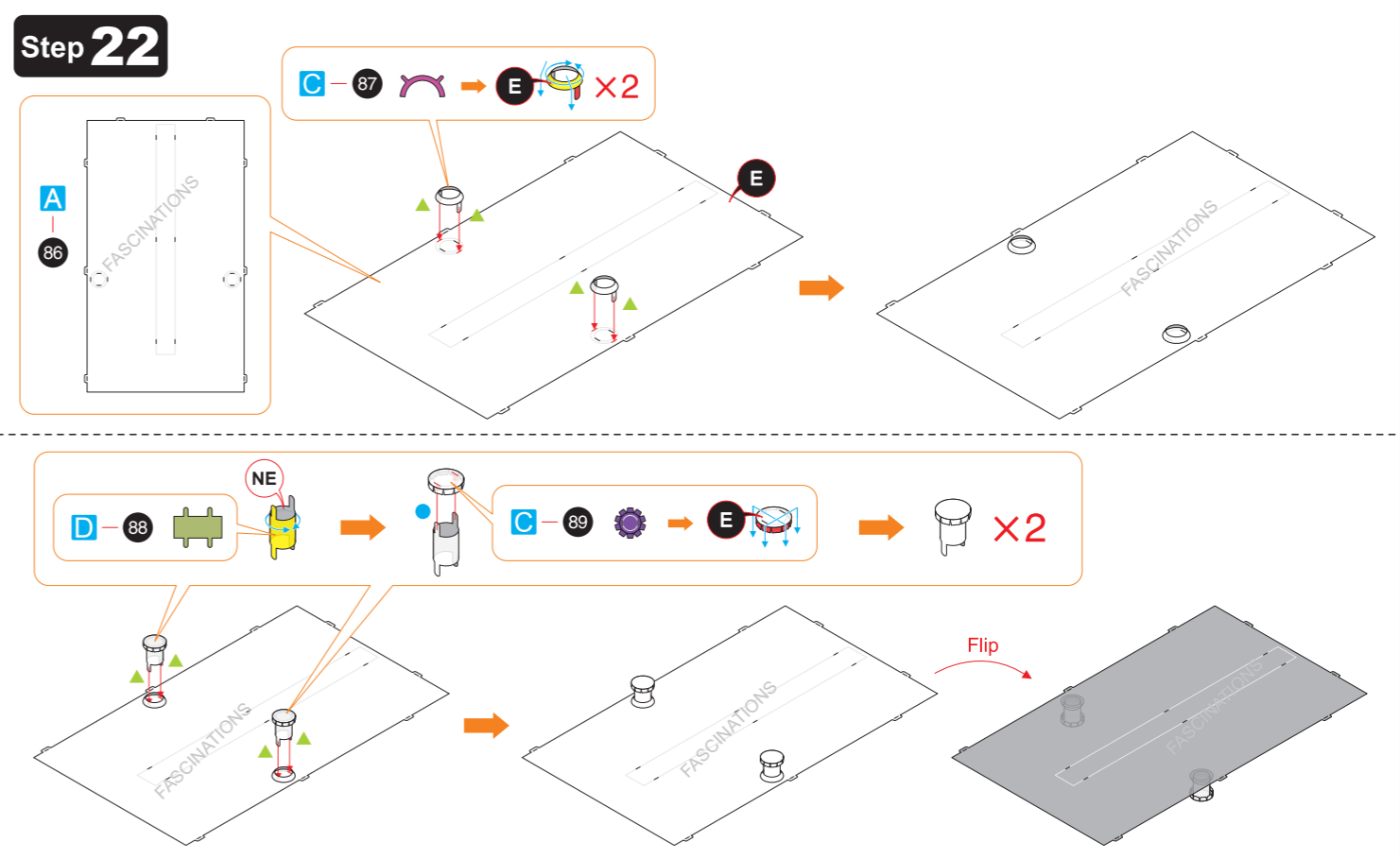




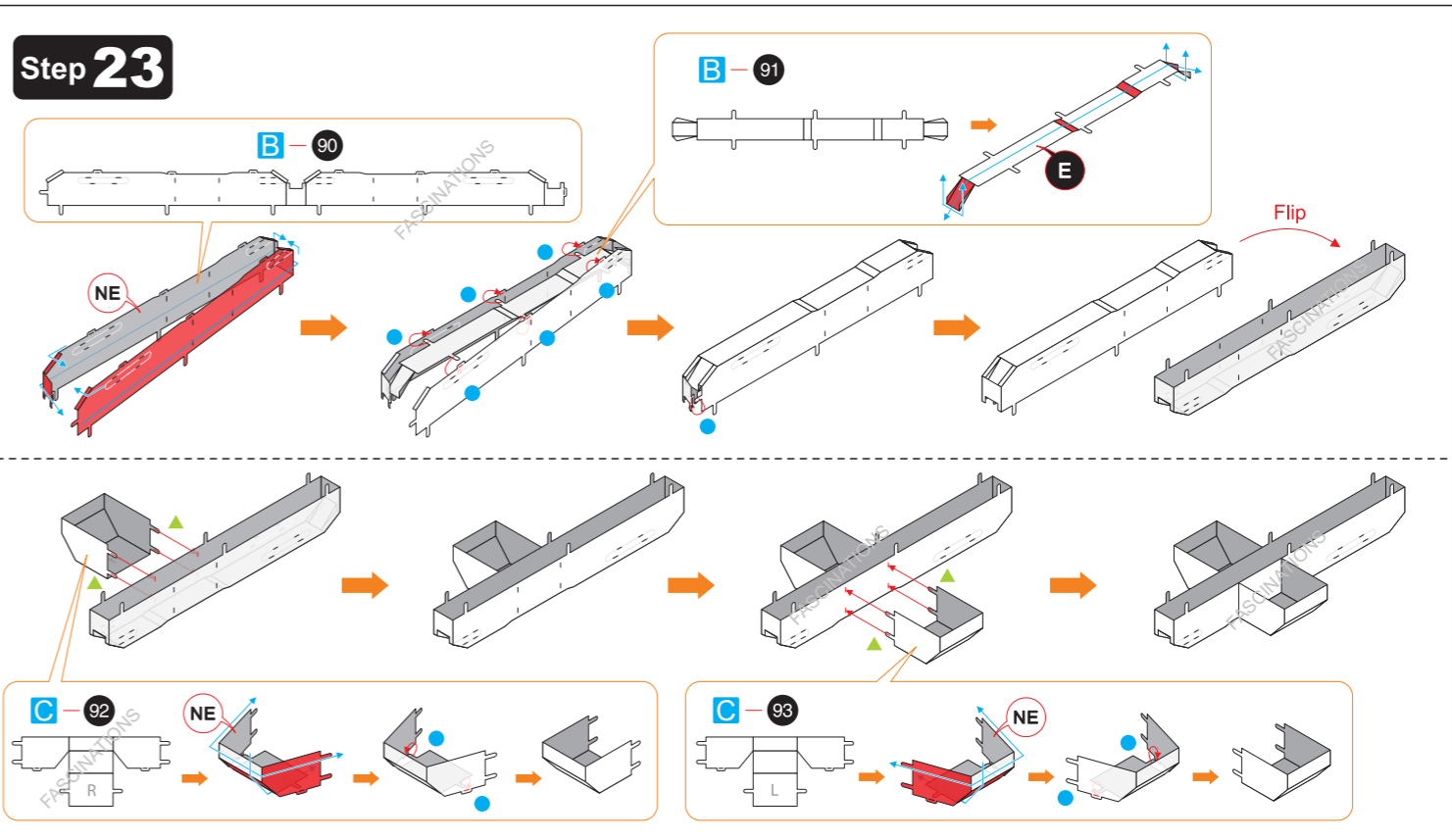
Step 21



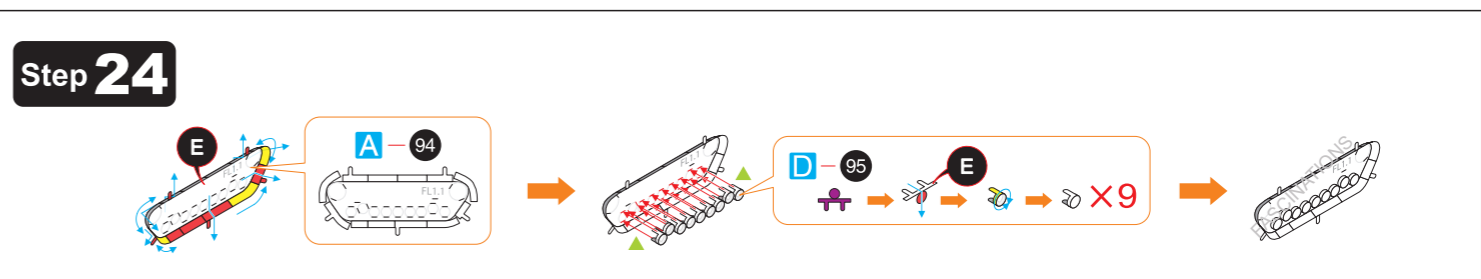
Step 22

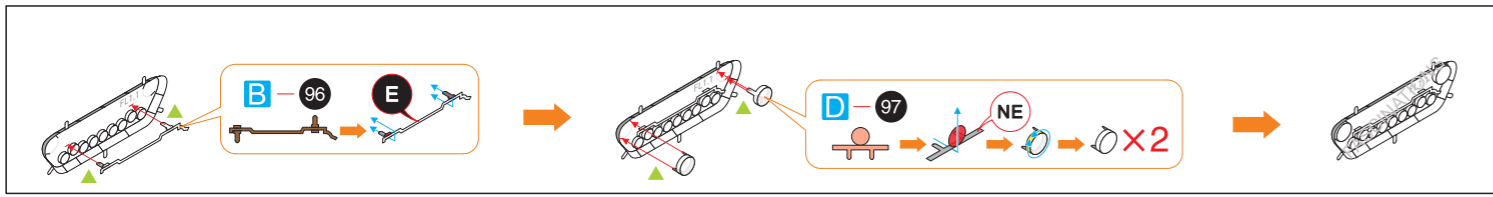


Step 23

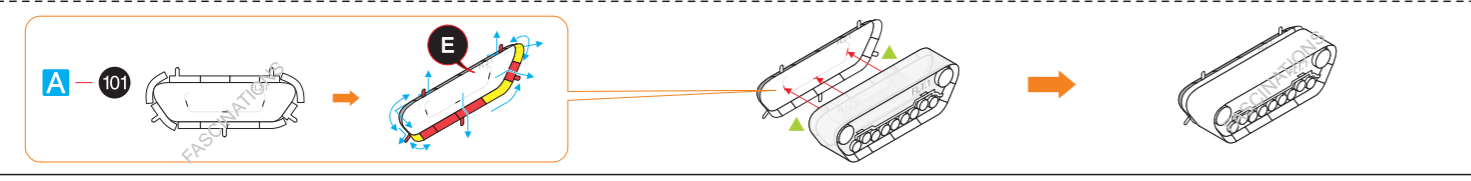
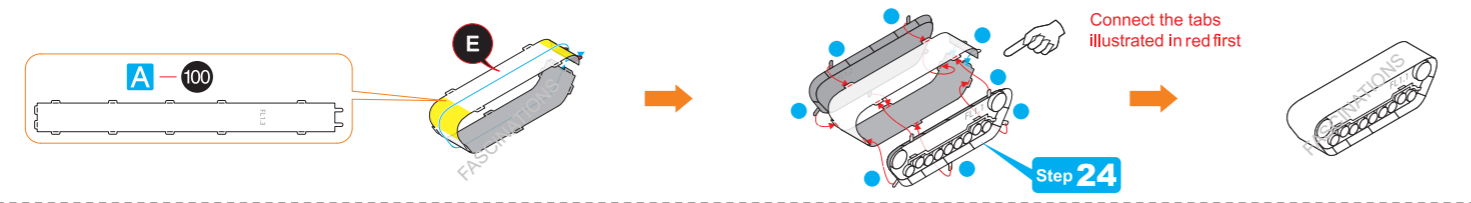
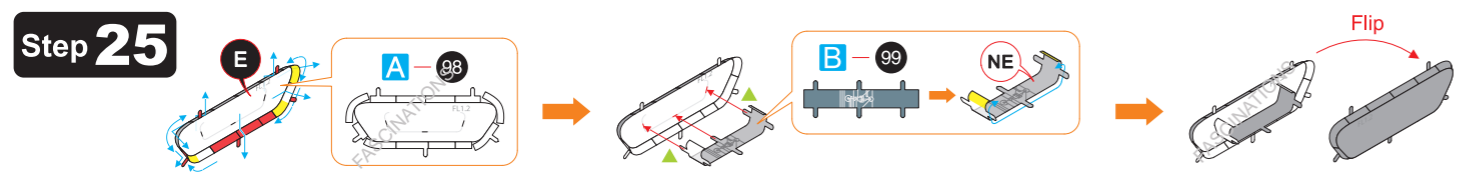


Step 24

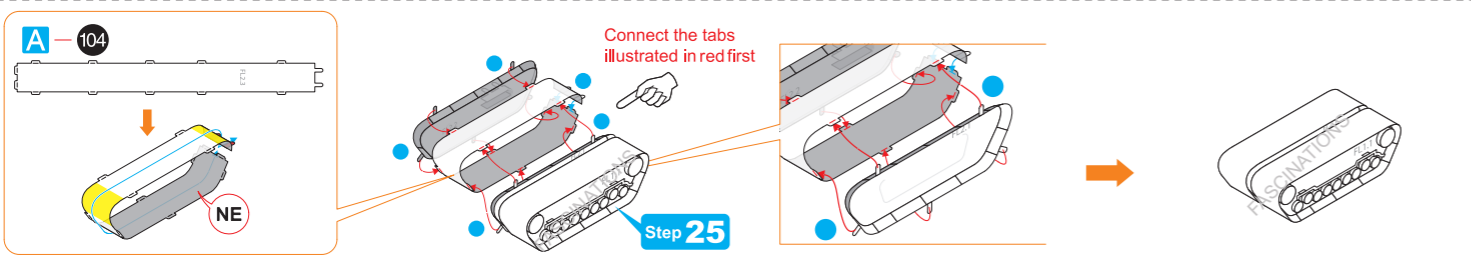
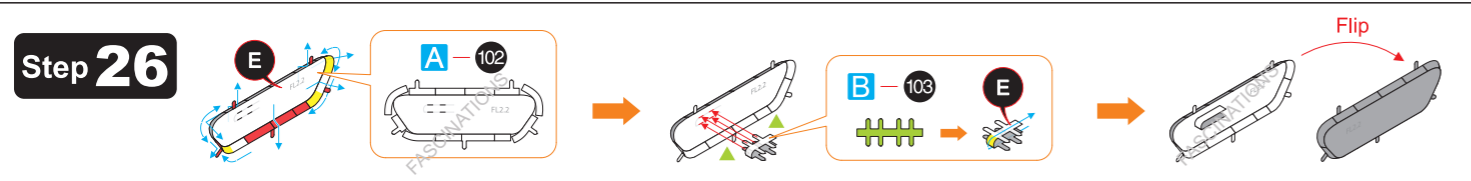




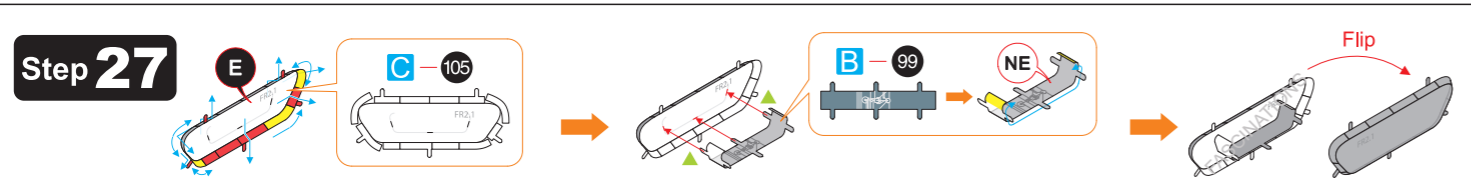
Step 25



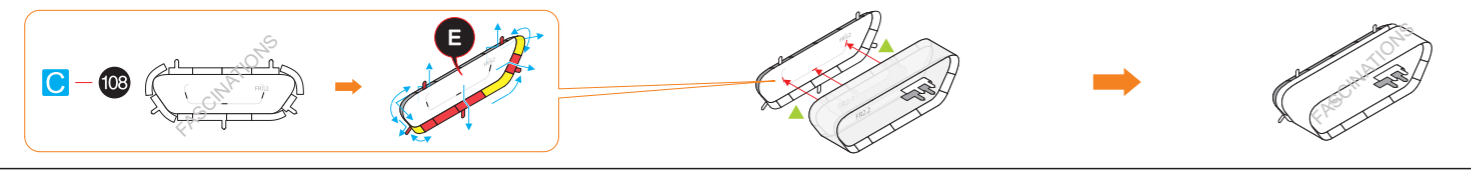
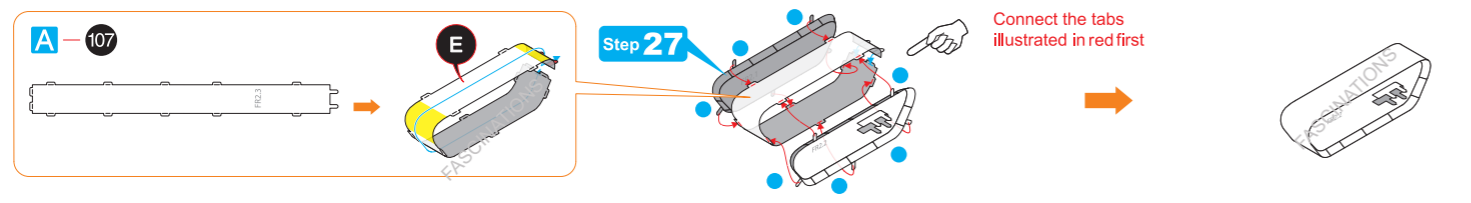
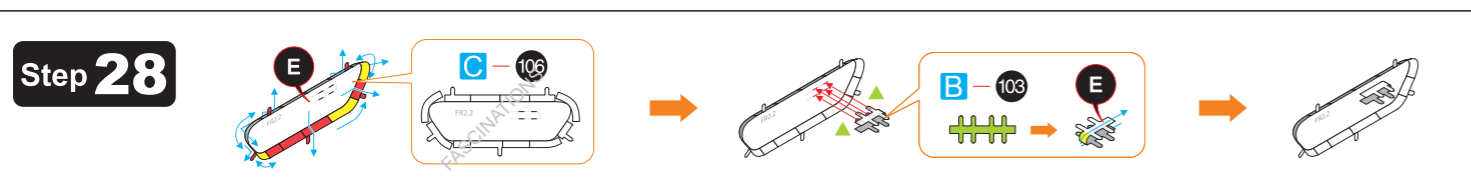
Step 26



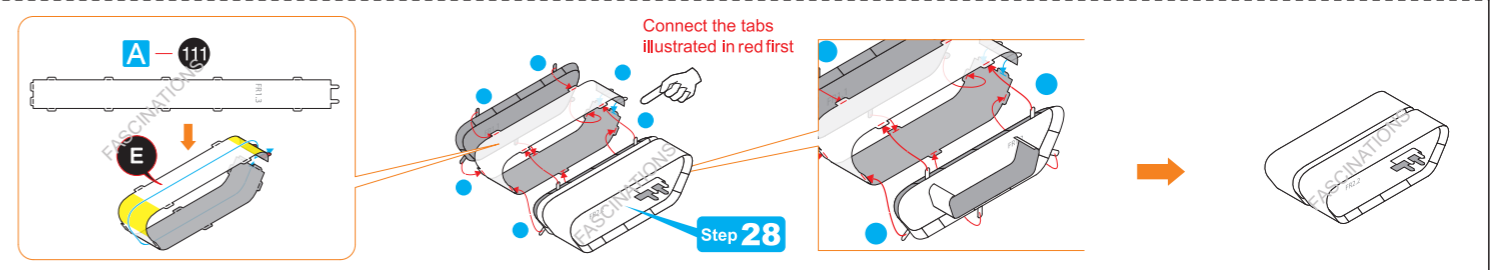
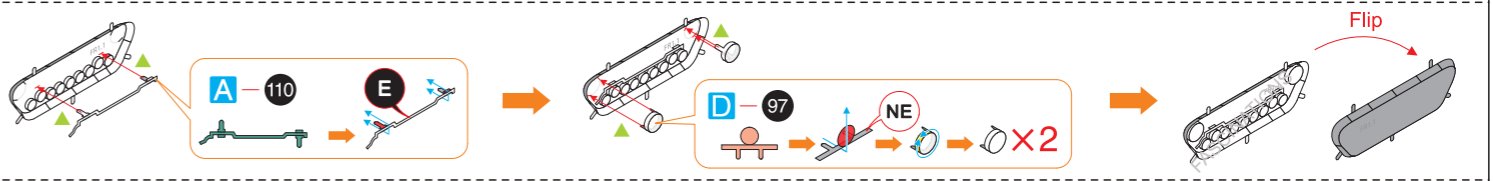
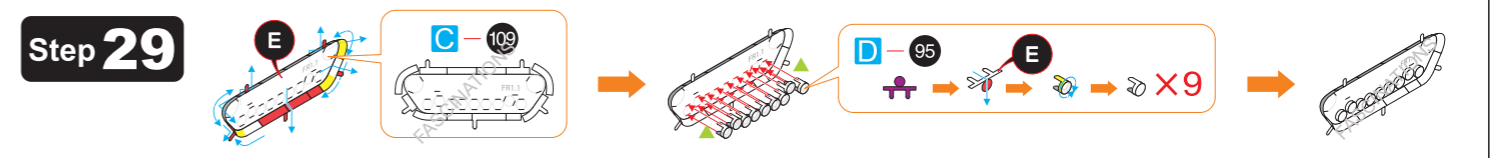
Step 27



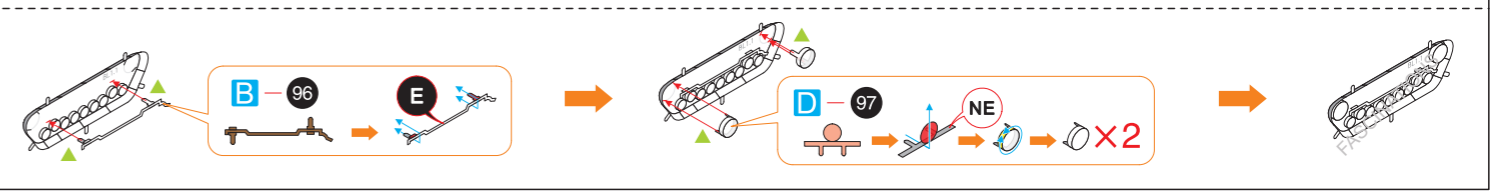
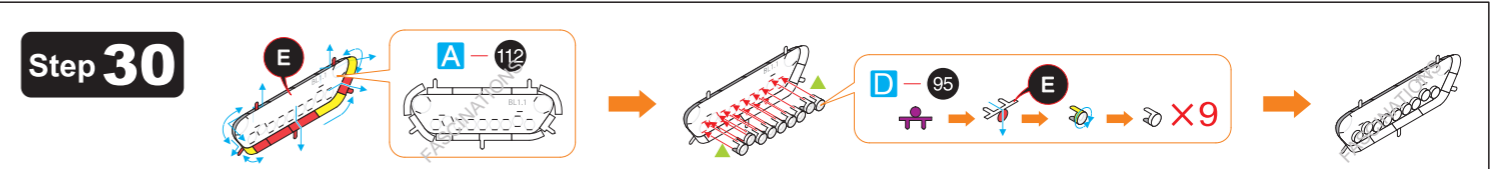
Step 28



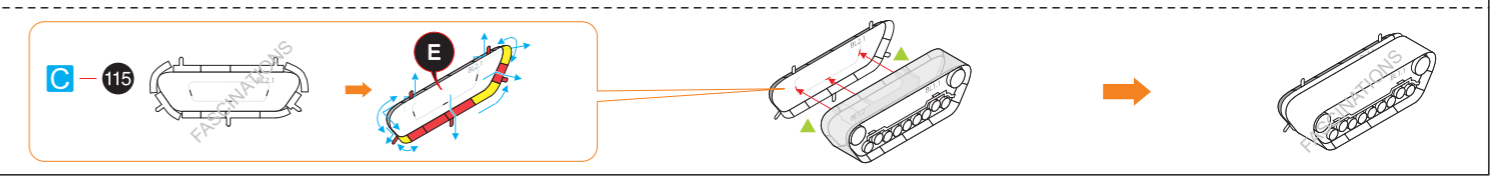
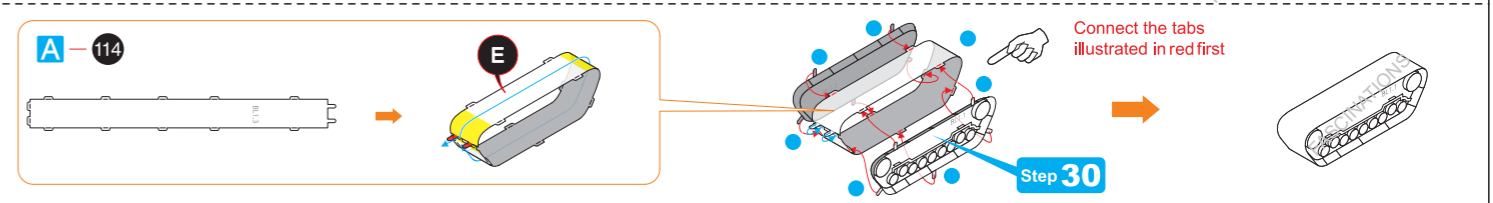
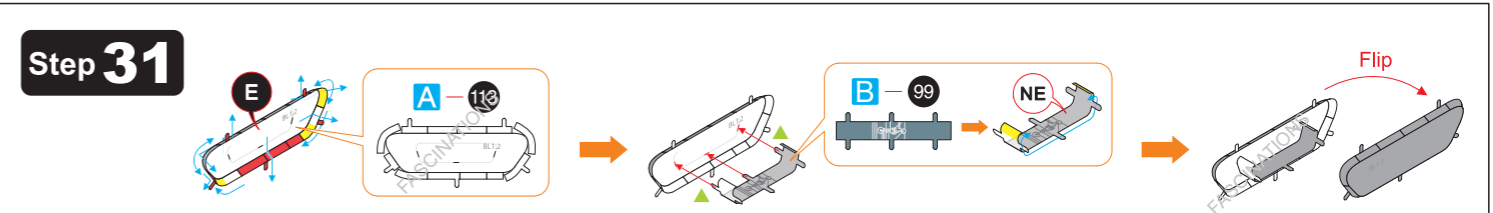
Step 29



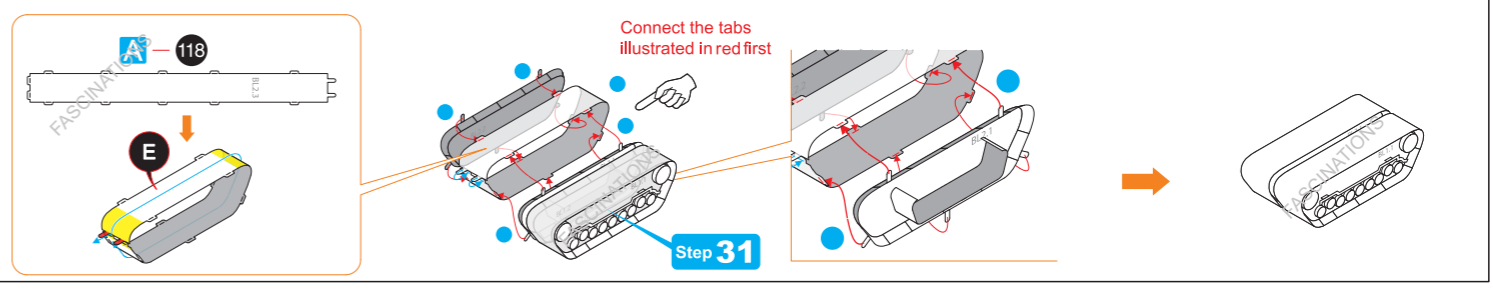
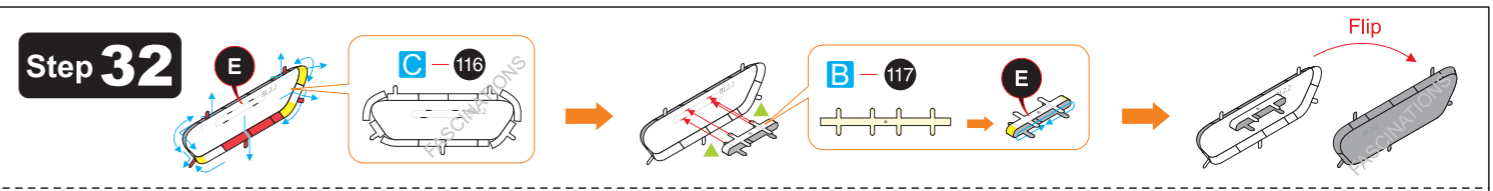
Step 30



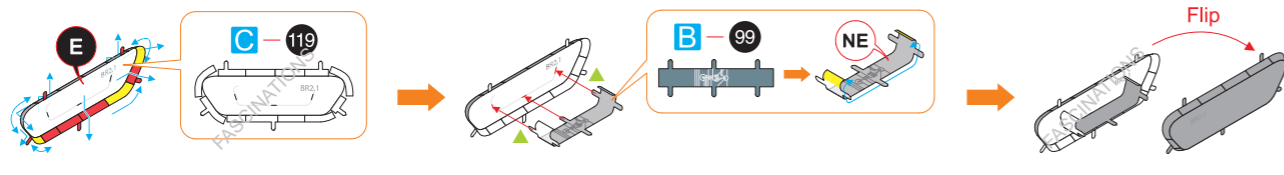
Step 31



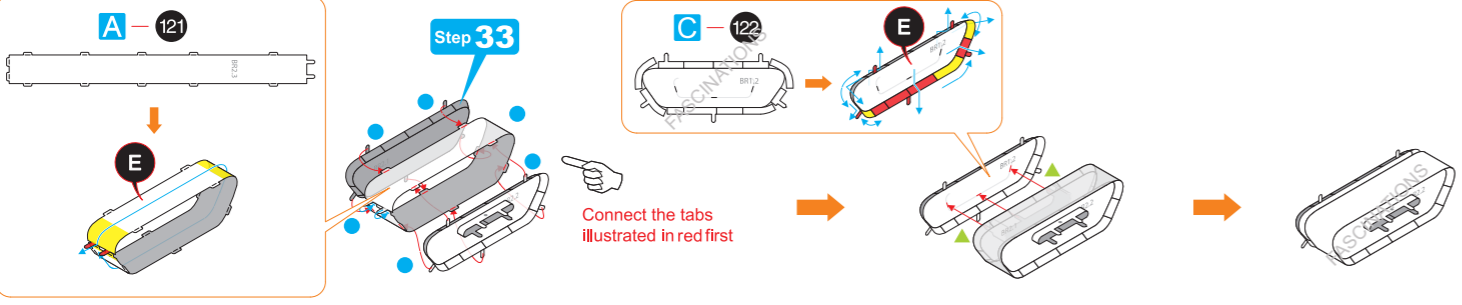
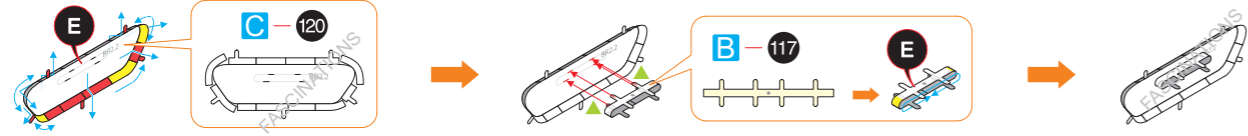
Step 32



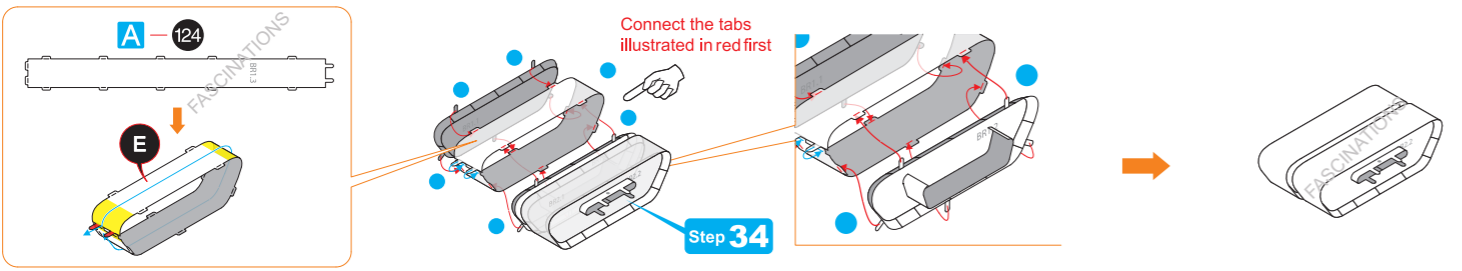
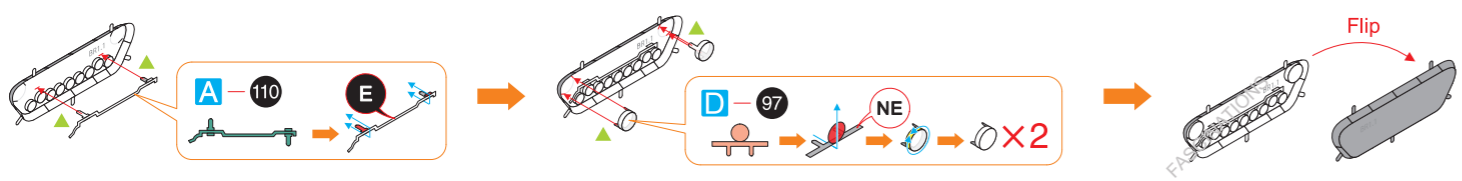
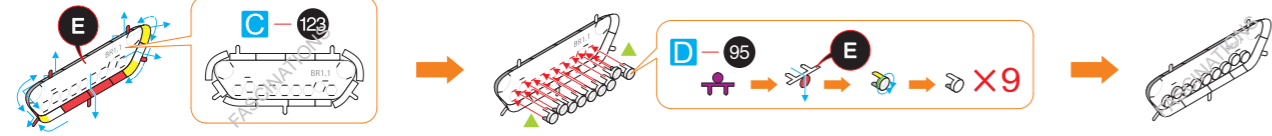
Step 33



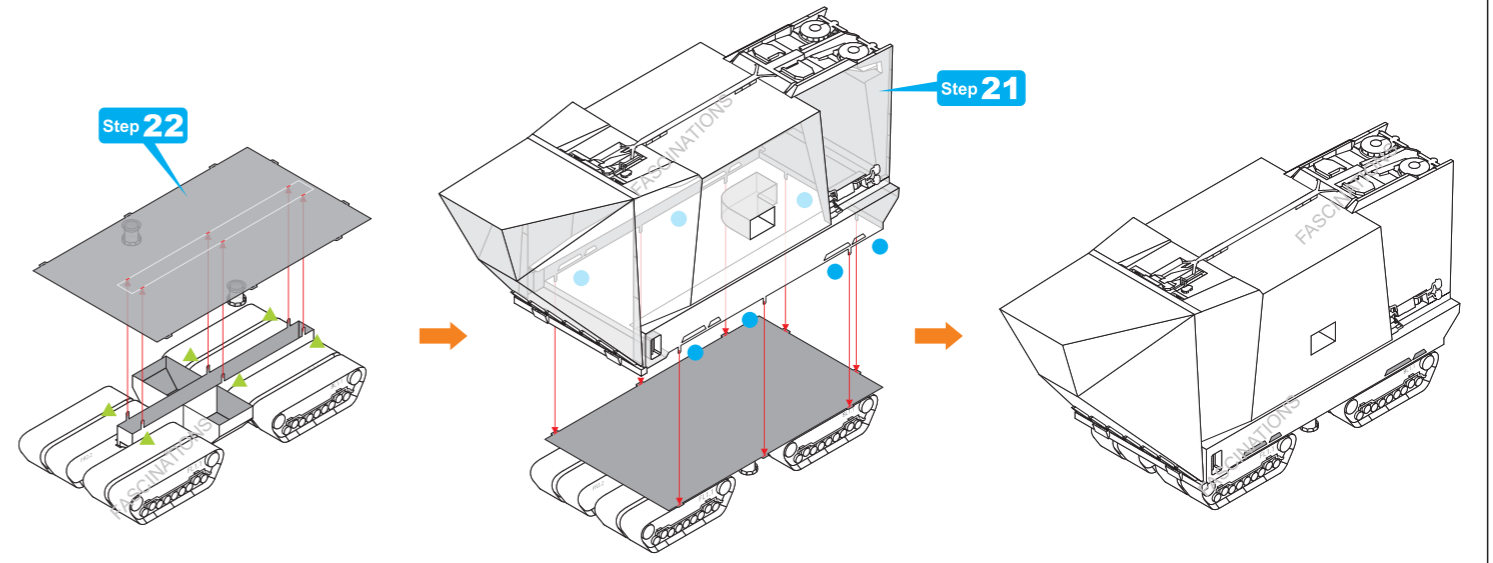
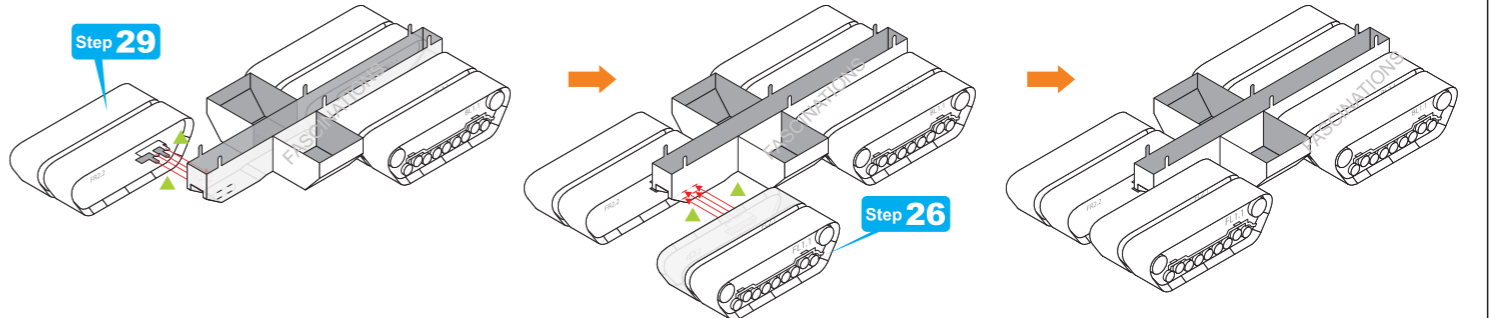
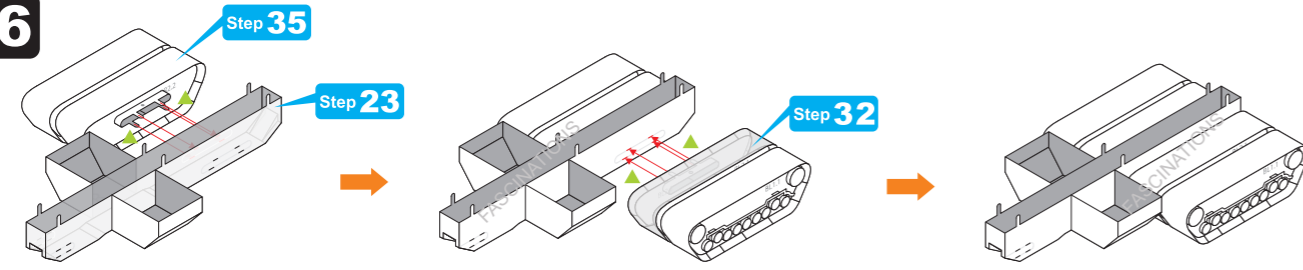
Step 34



Step 35



Step 36



Step 37

