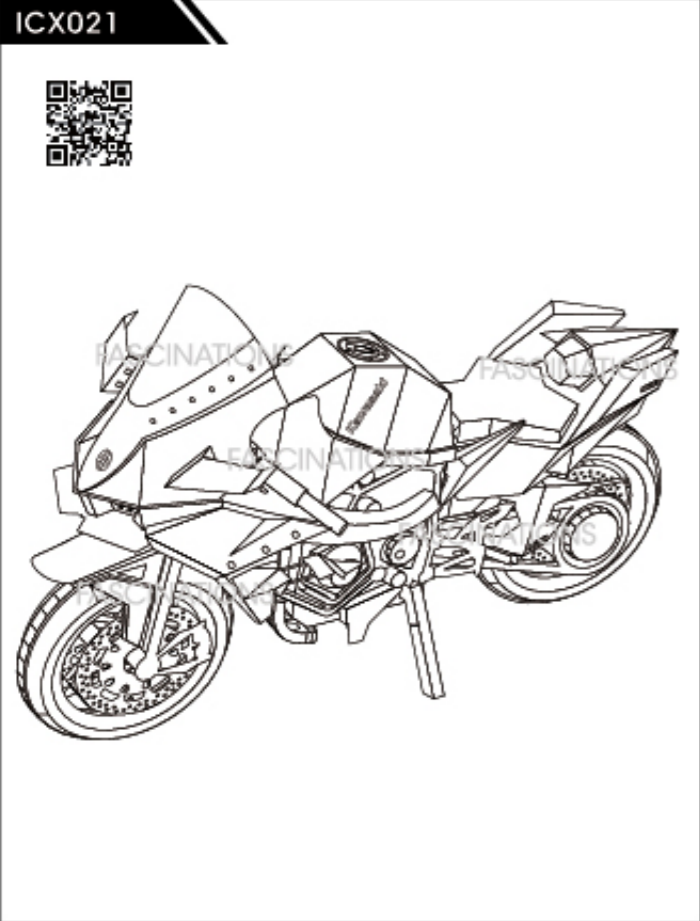




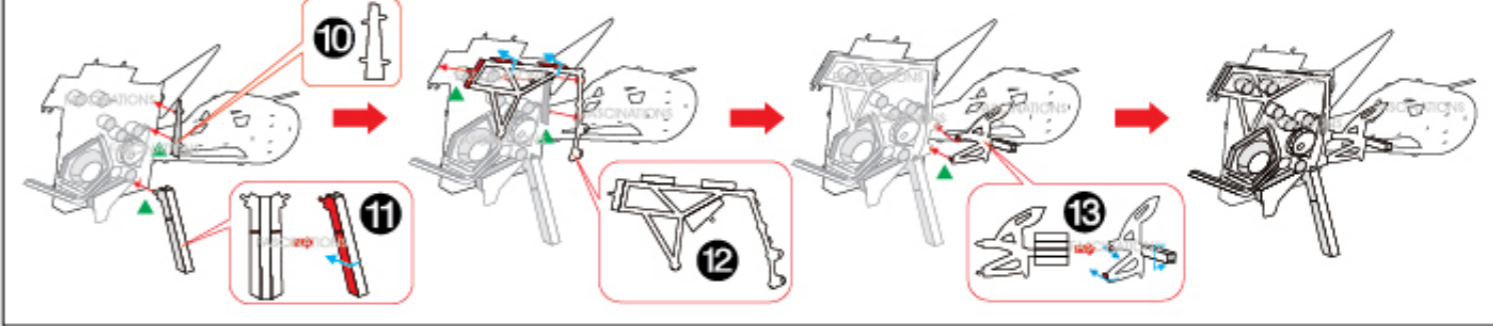
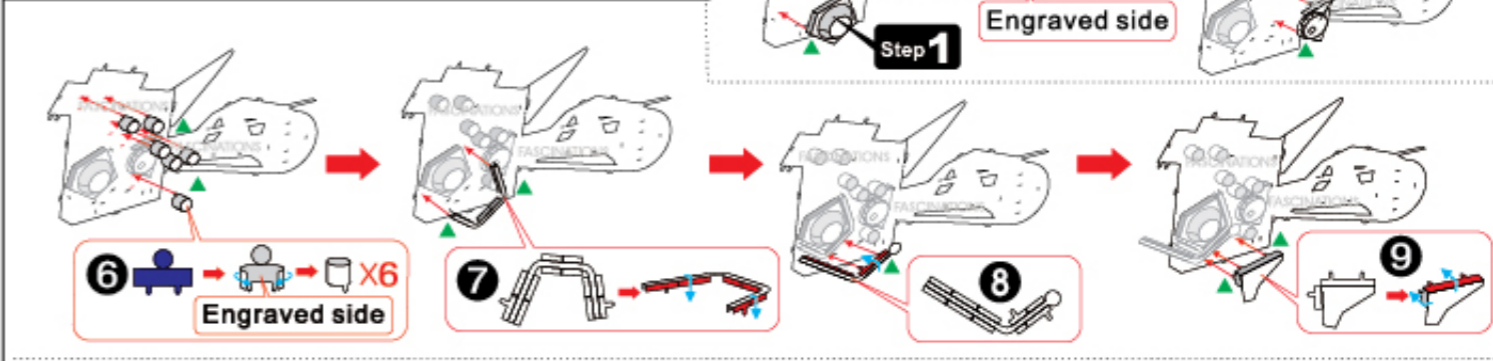
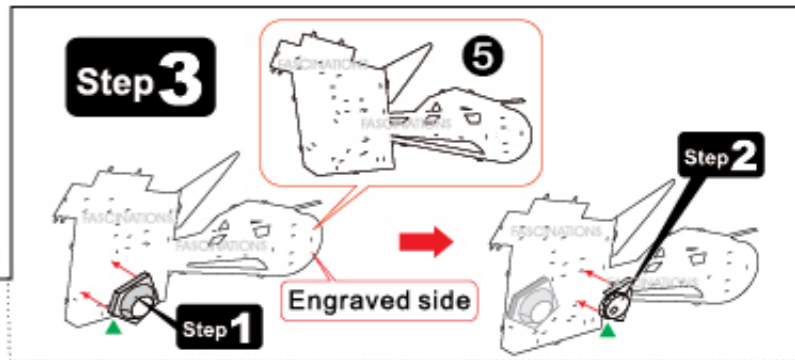
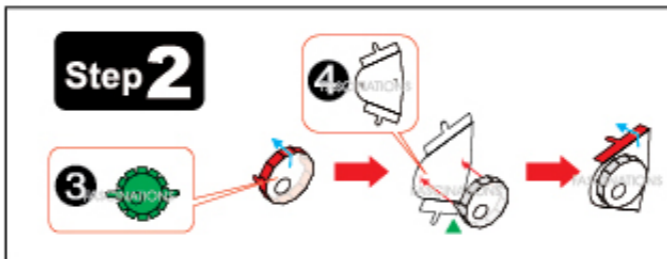
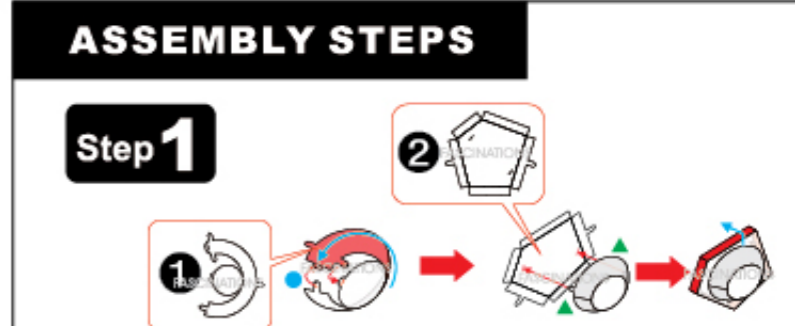
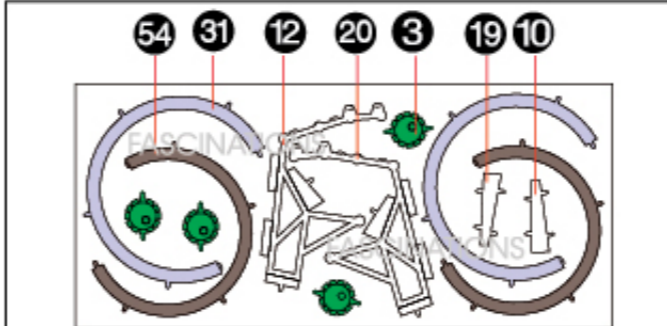
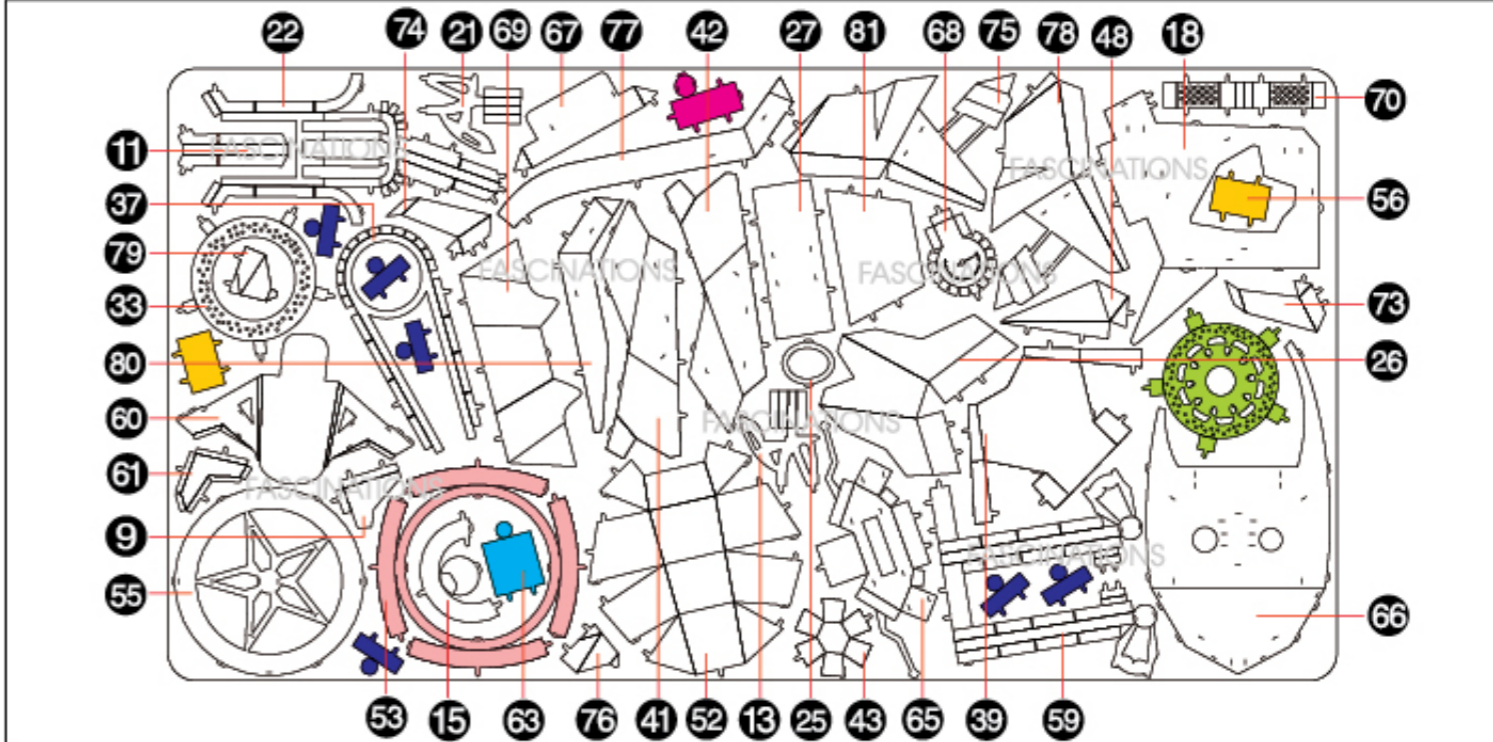
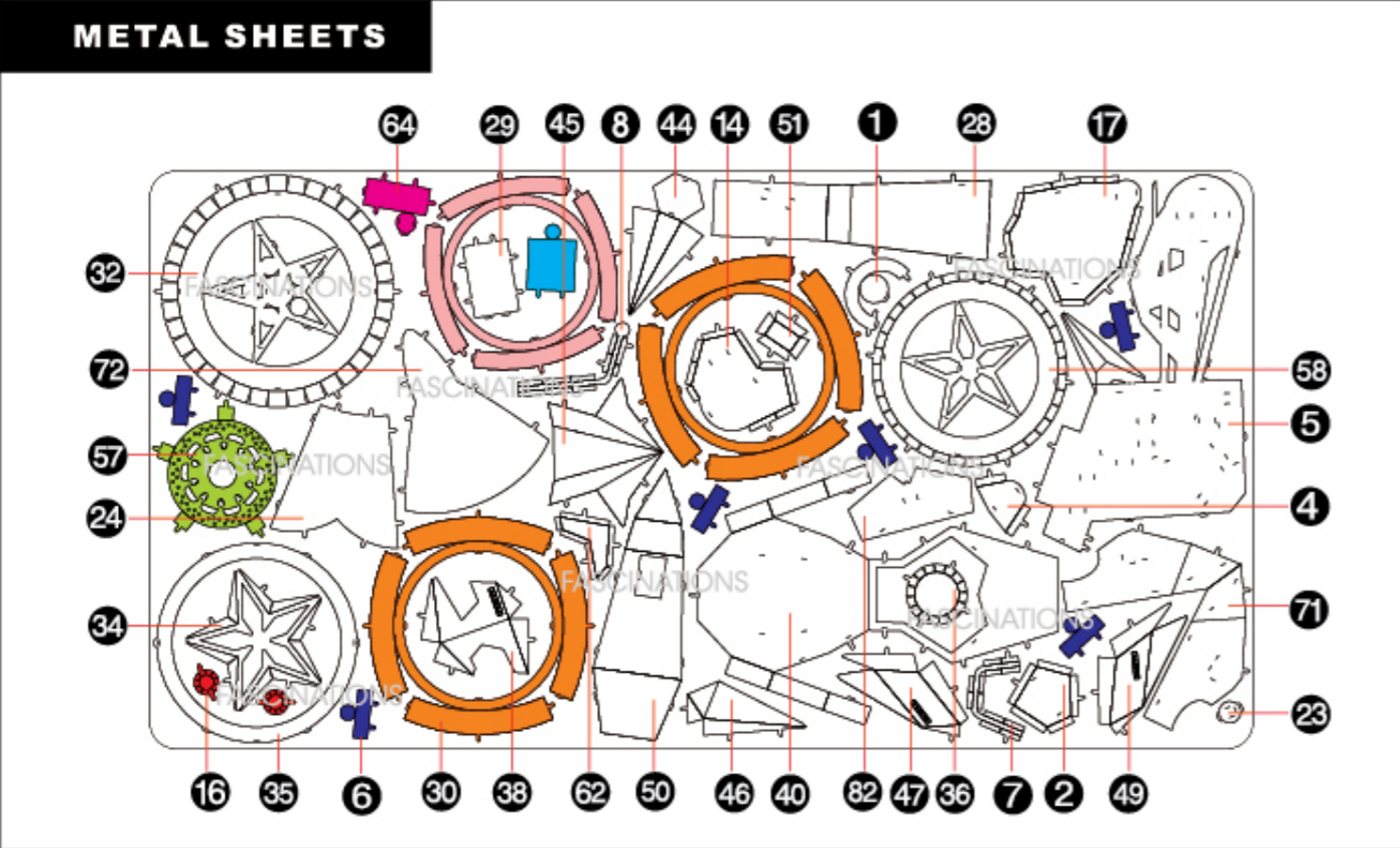
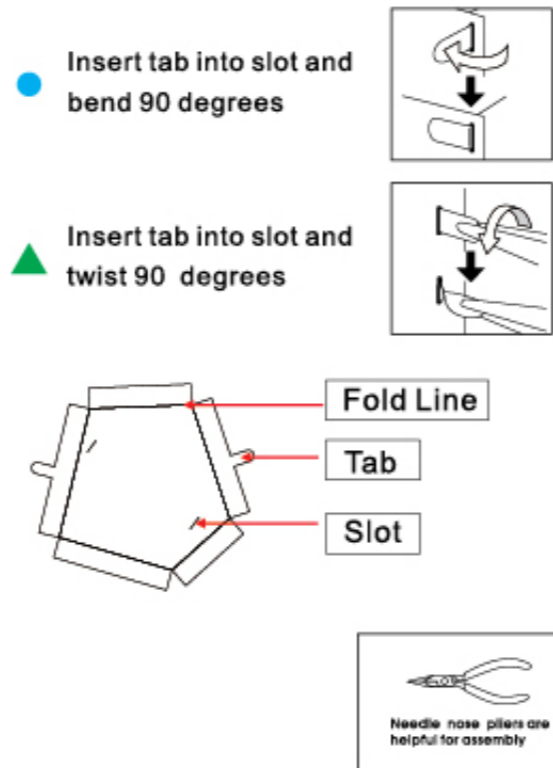
It is highly recommended that you visit www.fascinations.com/iconx360/icx_021 to see the completed model before assembling your own

FASCINATIONS, INC.
Seattle, Washington, USA

Go to www.fascinations.com/iconx360/icx_021 to see the zoomable PDF version of this instruction sheet

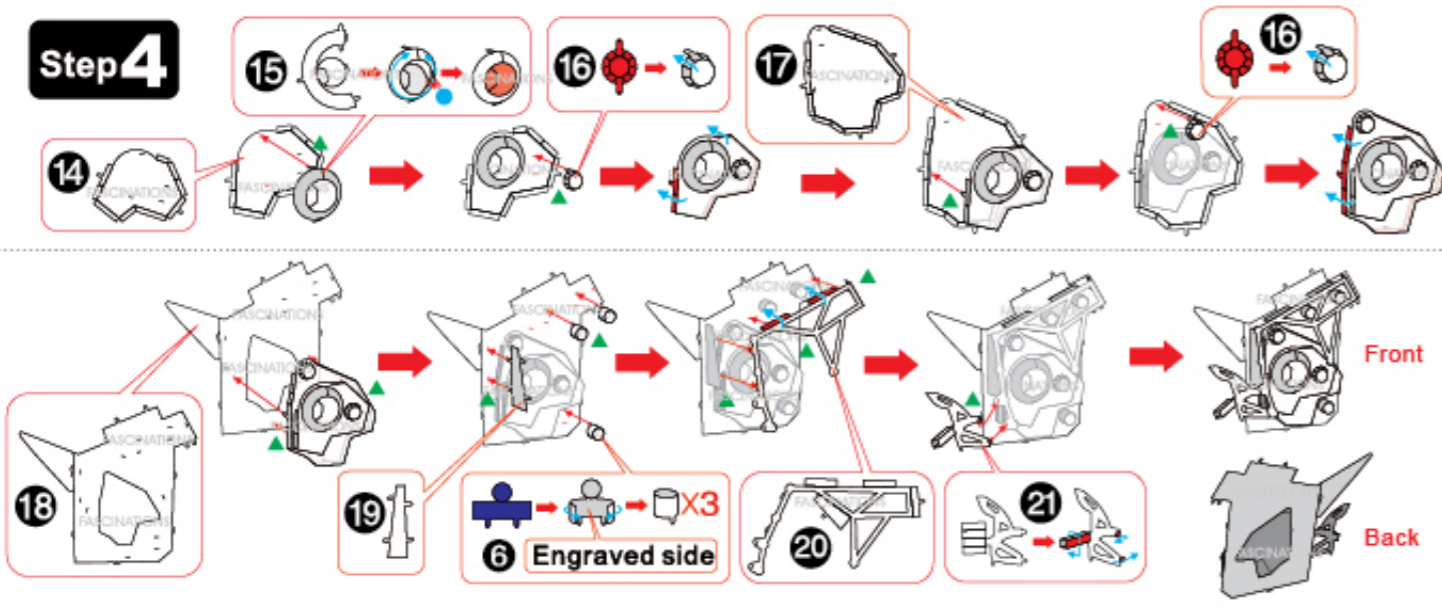


TO CREATE THE BEST CONNECTIONS

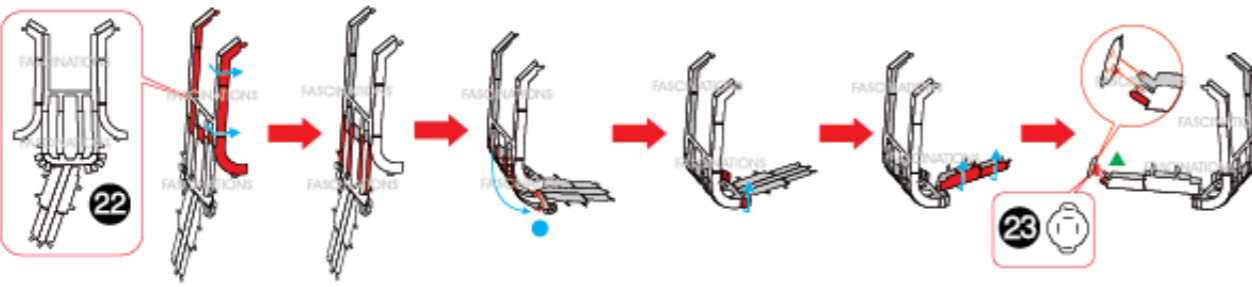


In order to avoid possible injury from sharp edges, please carefully discard the metal sheet after parts have been removed.

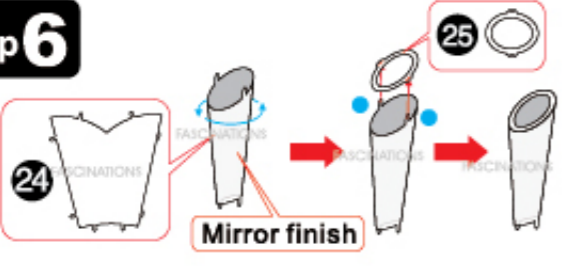
Step 4



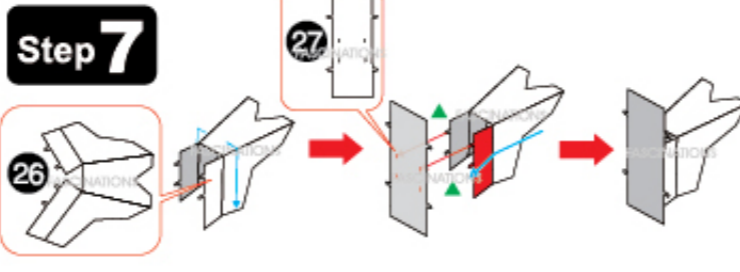
Step 5



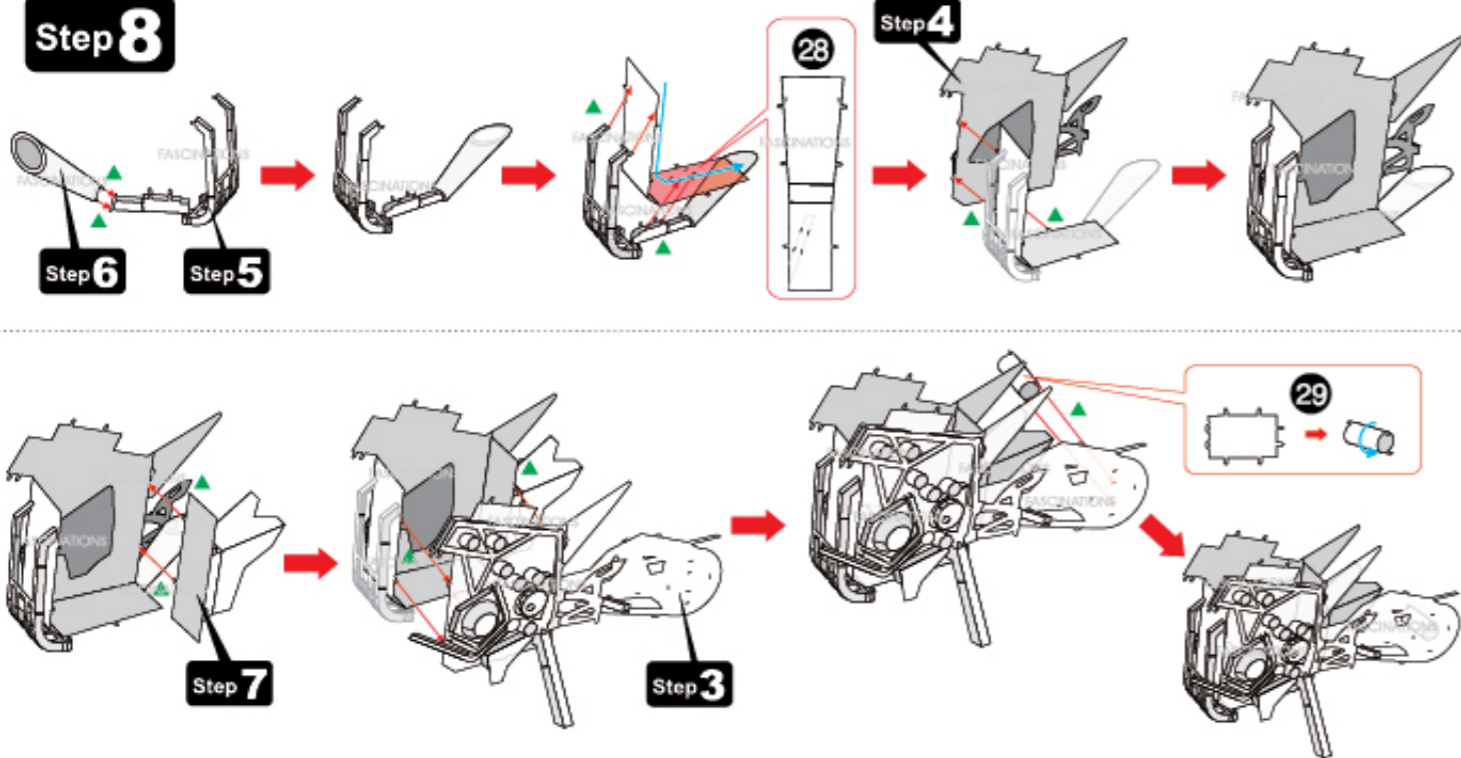
Step 6



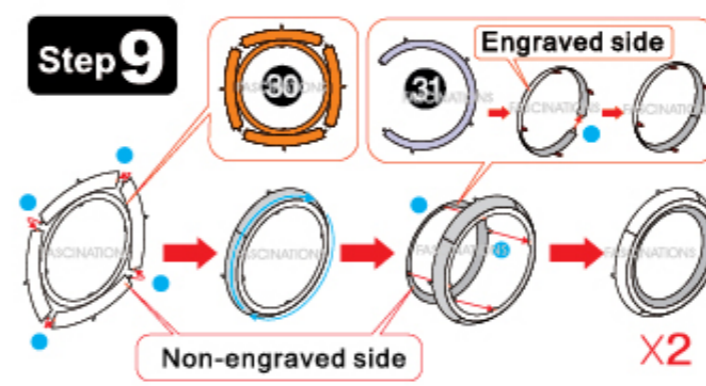
Step 7



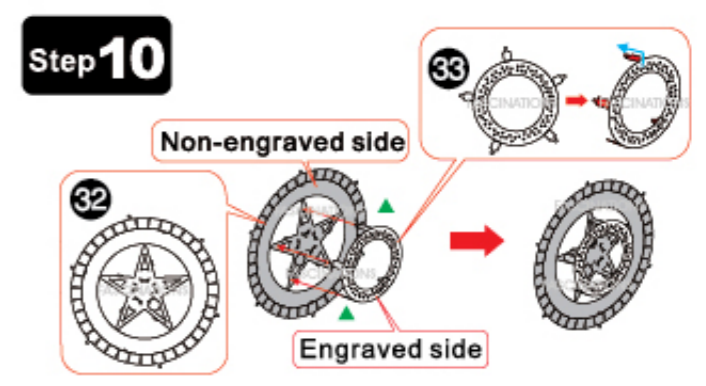
Step 8



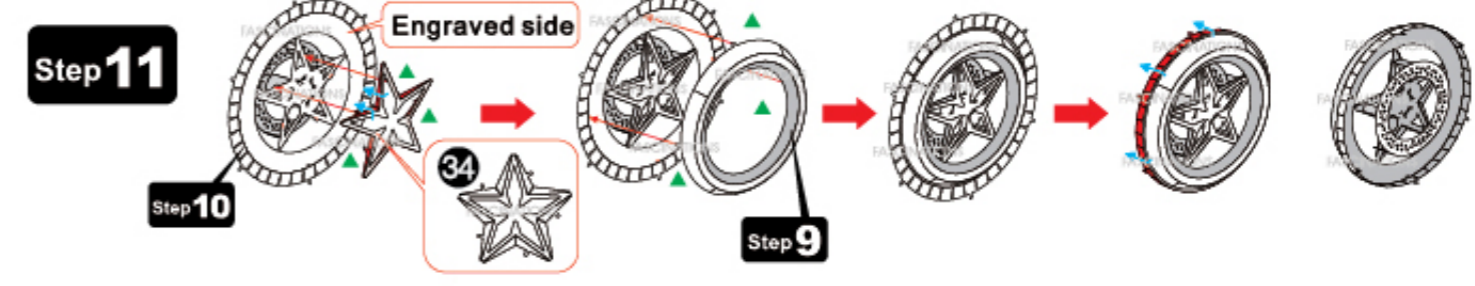
Step 9



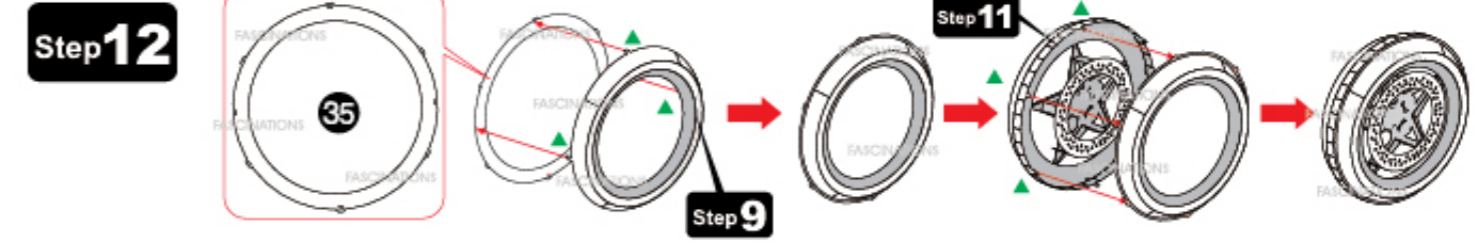
Step 10



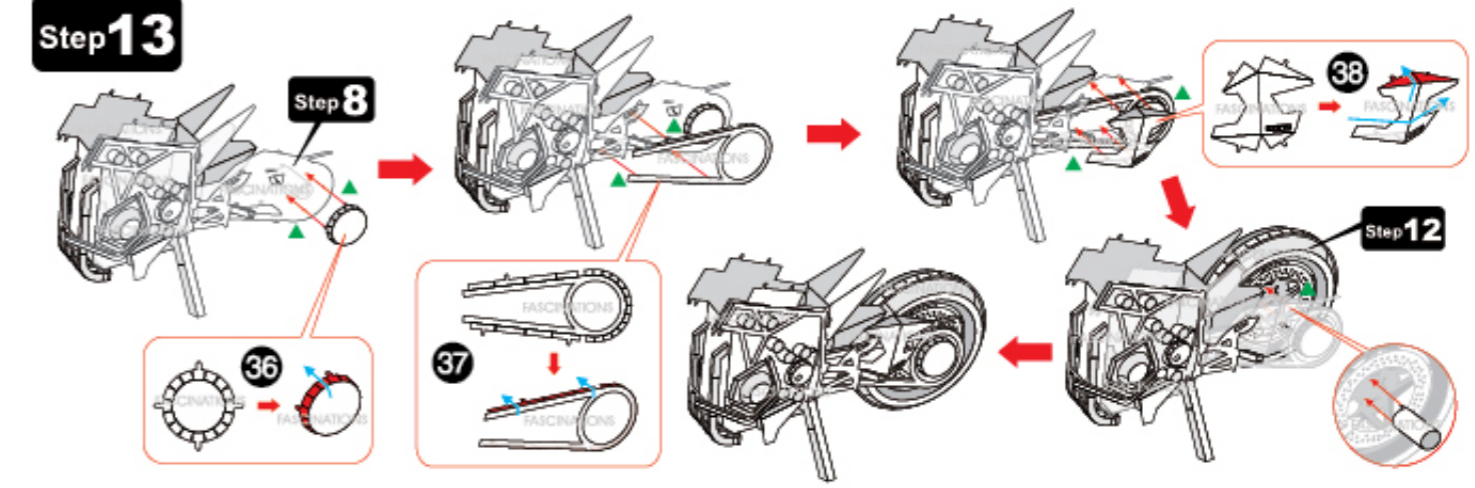
Step 11



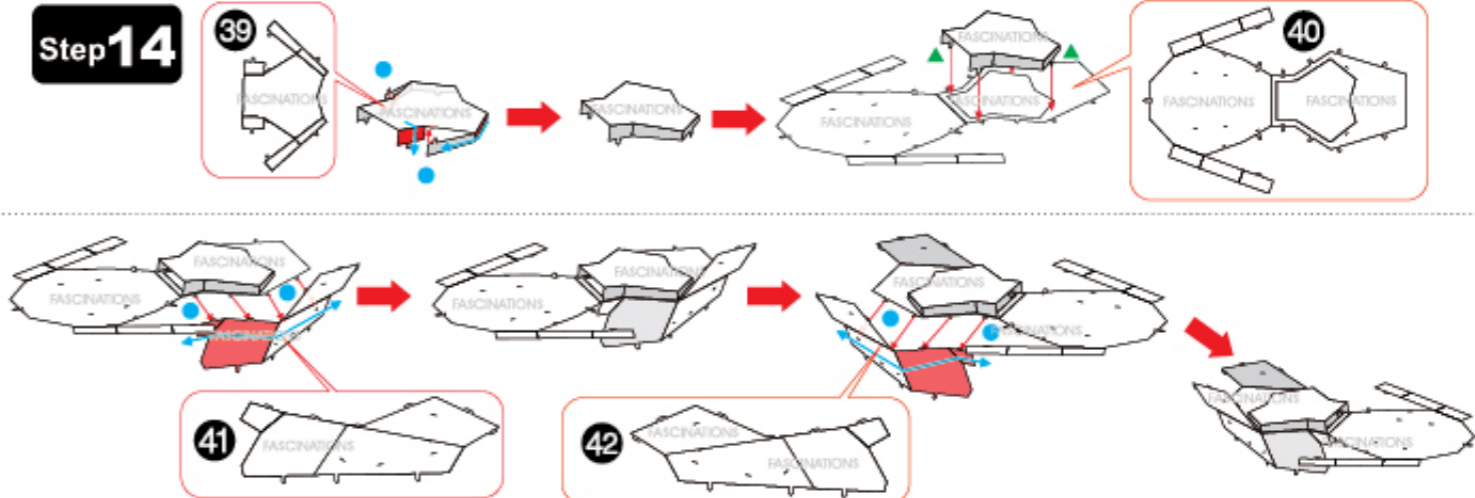
Step 12



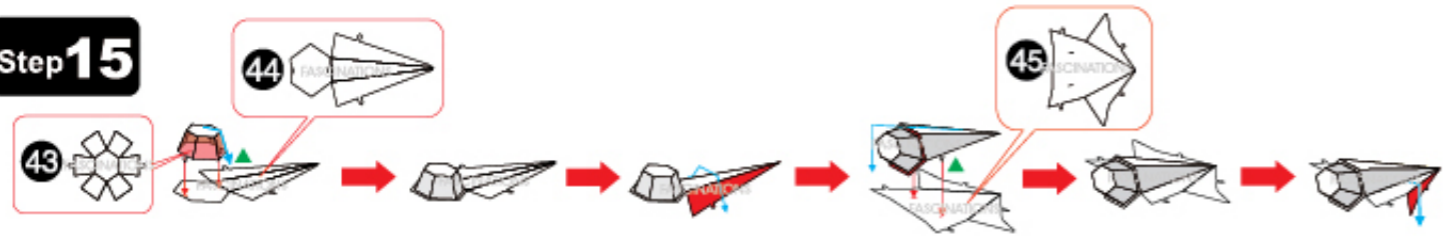
Step 13



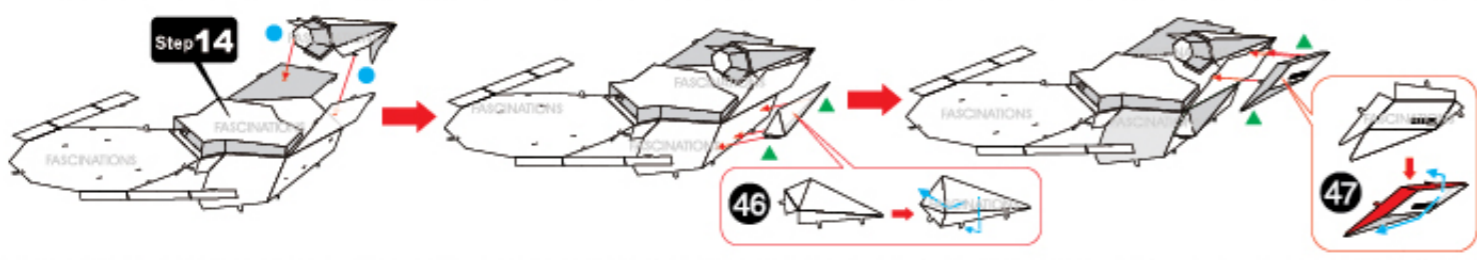
Step 14



Step 15

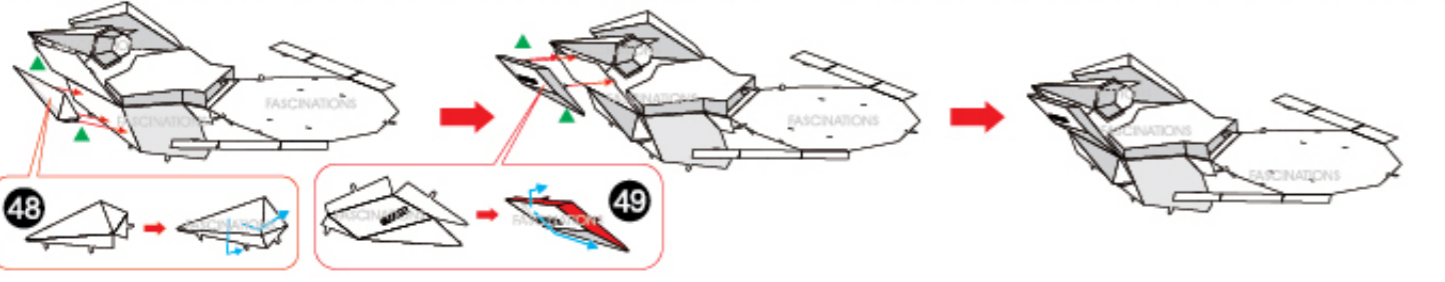


Step 14



48

49



Step 16

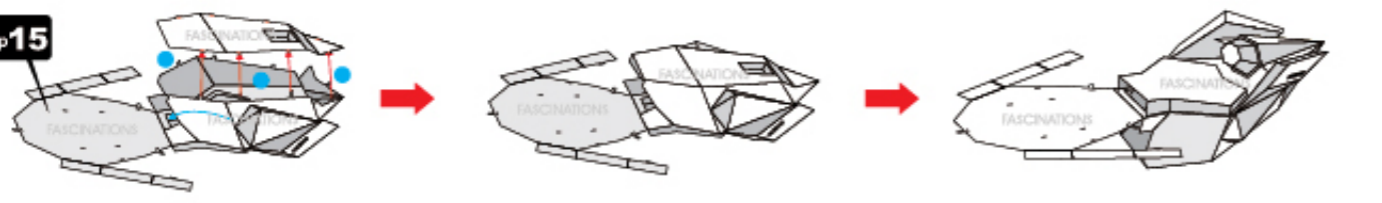
Engraved side

50

51



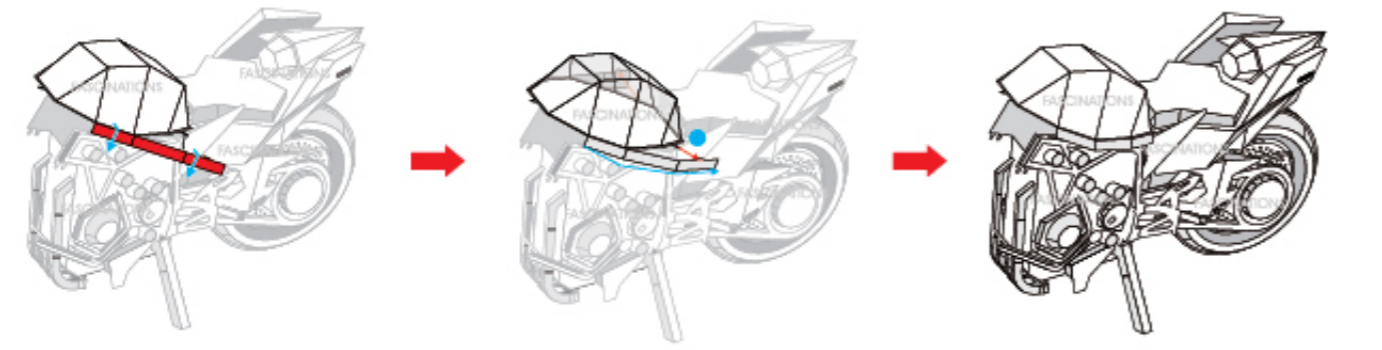
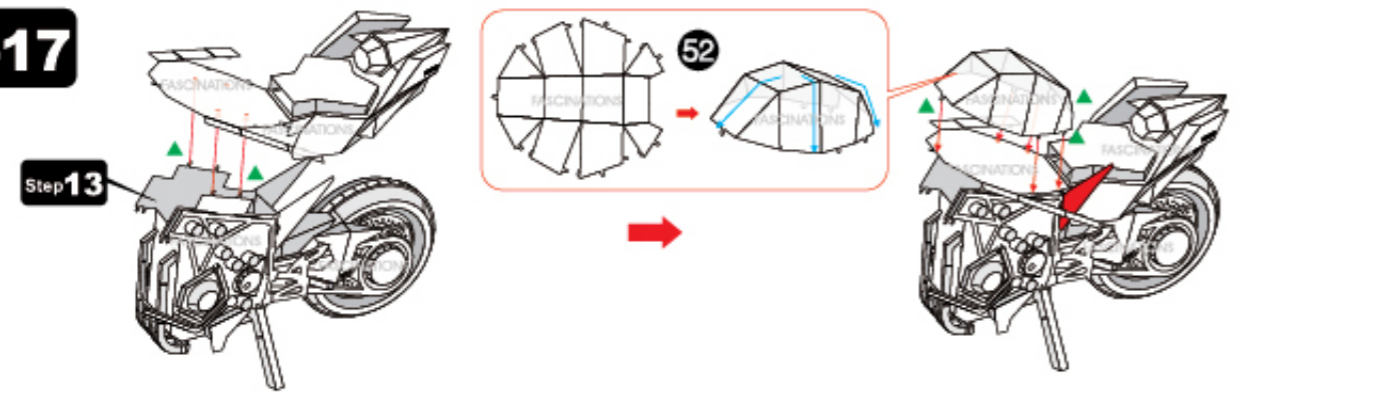
Step 15



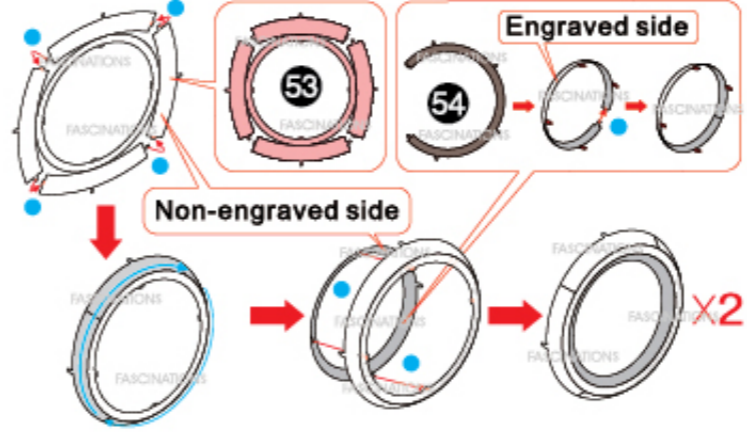
Step 17

Step 13

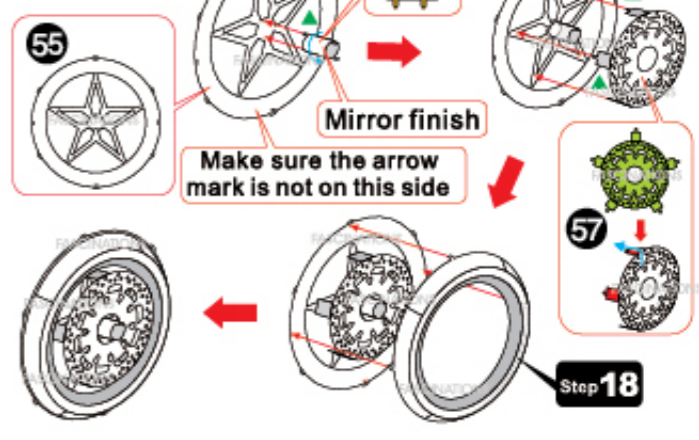
52



Step 18



Step 19

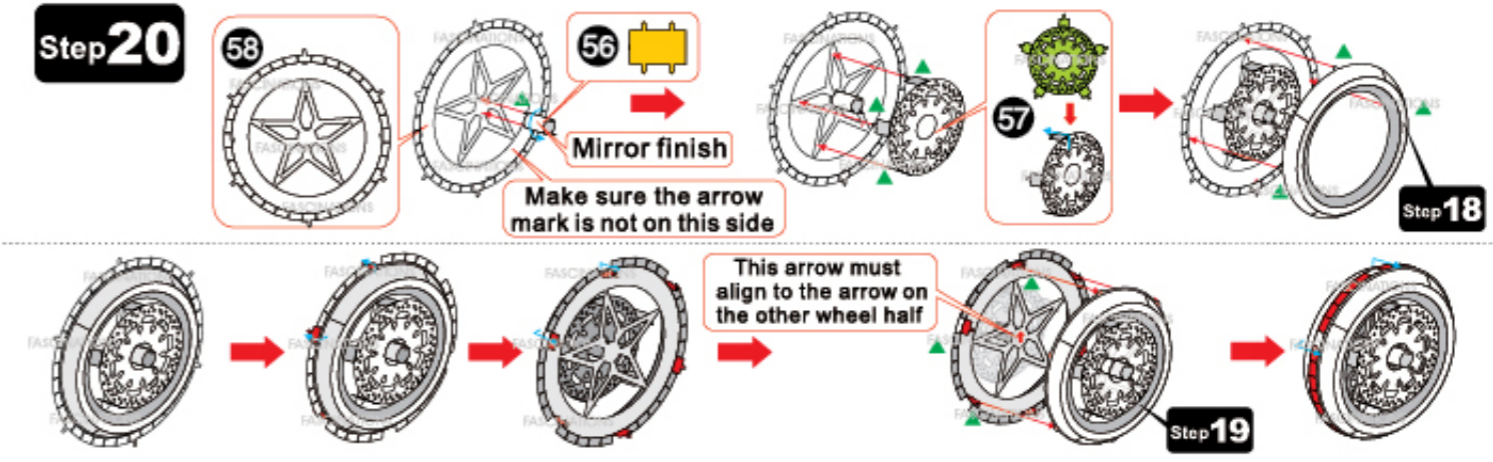


Step 20

58

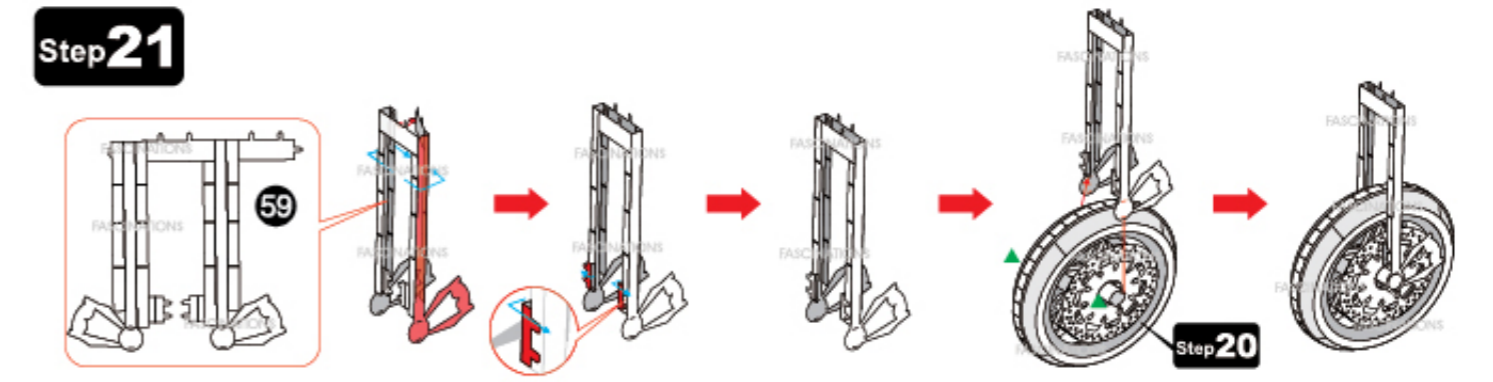
56

57



Step 21

59



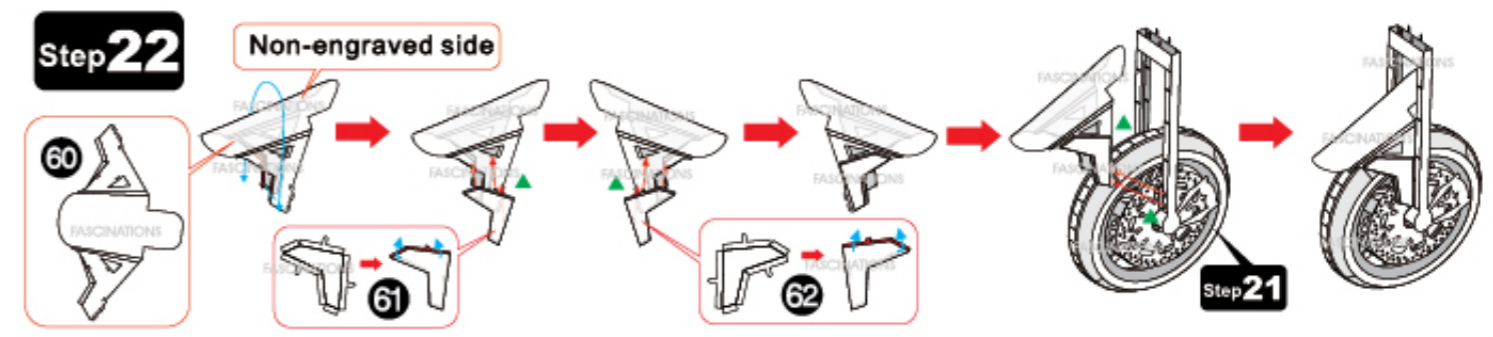
Step 22

Non-engraved side

60

61

62



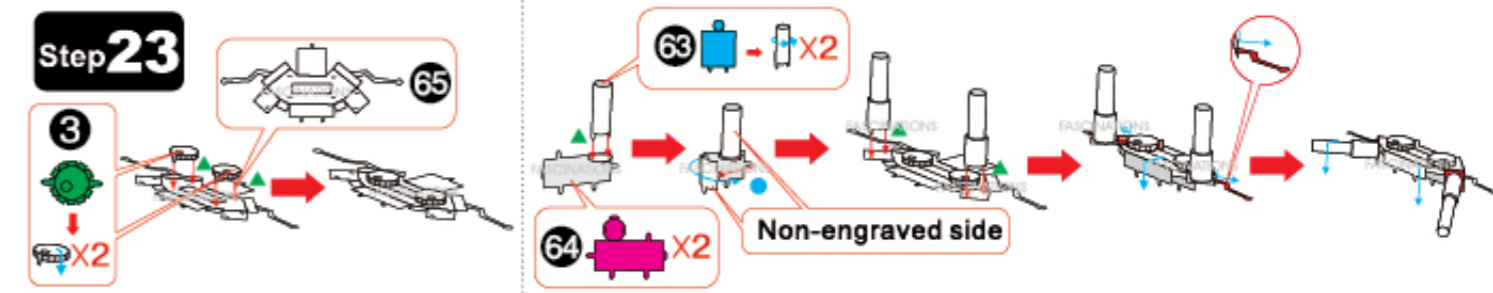
Step 23

3

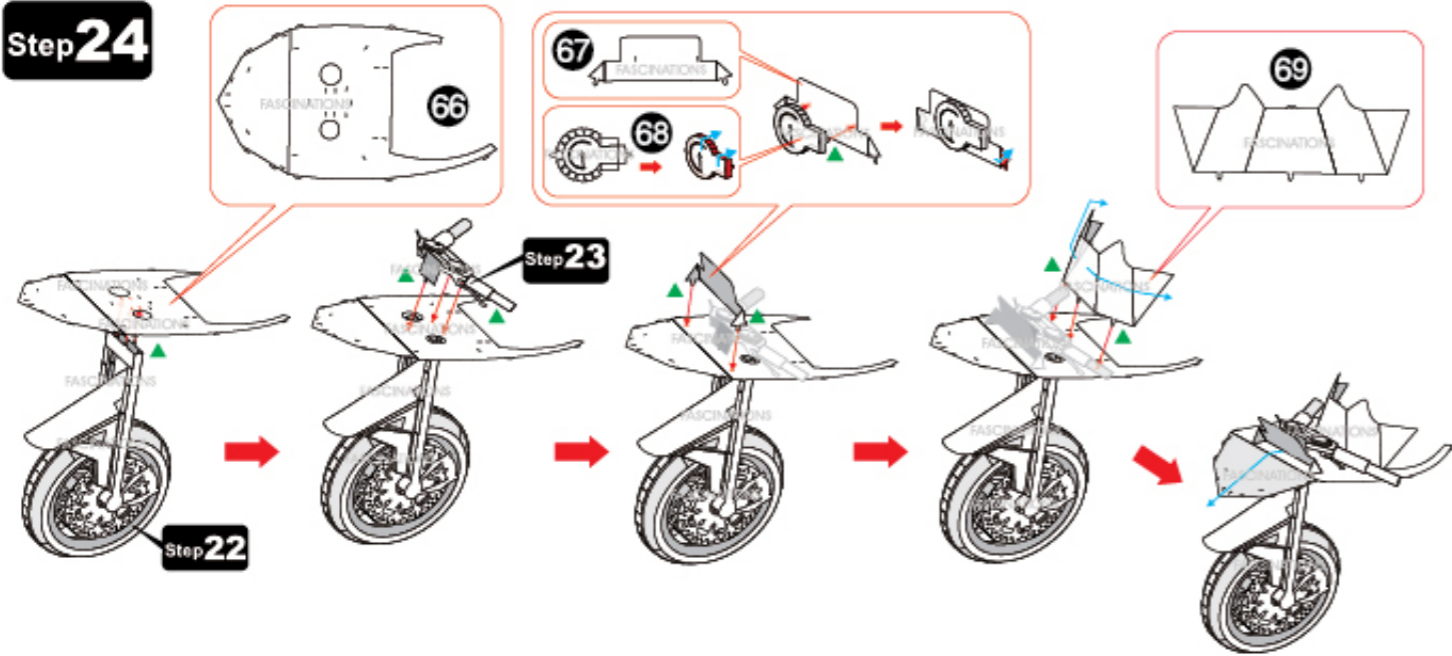
65

63

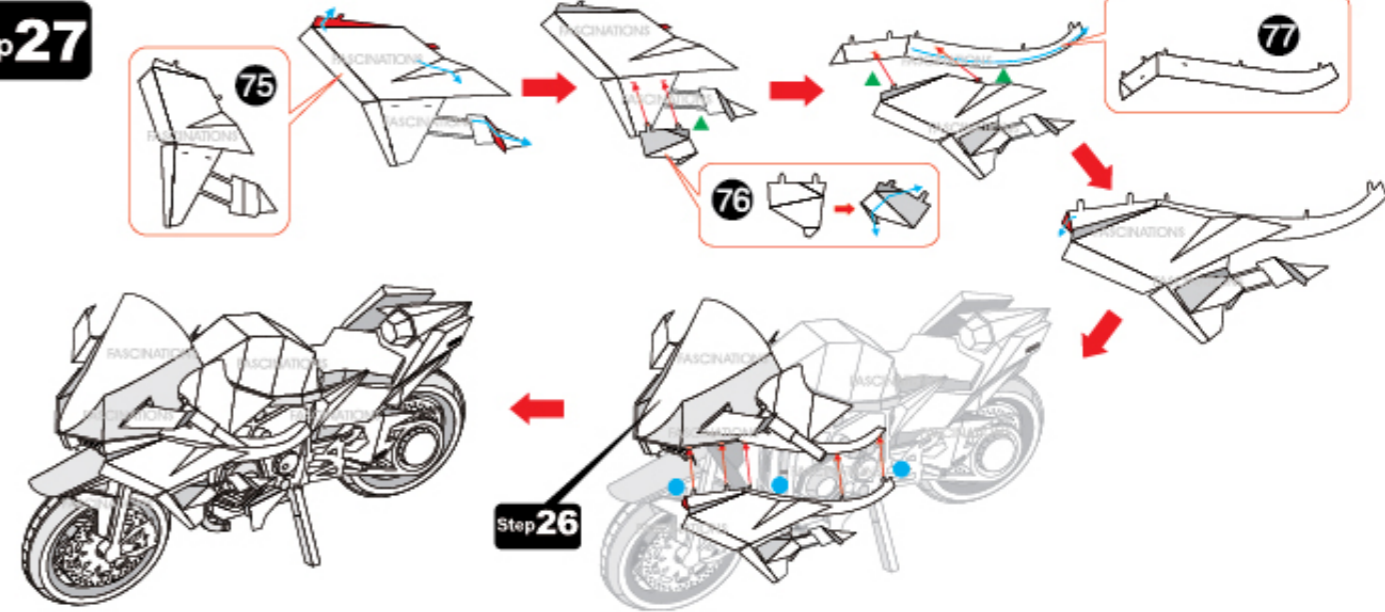
64



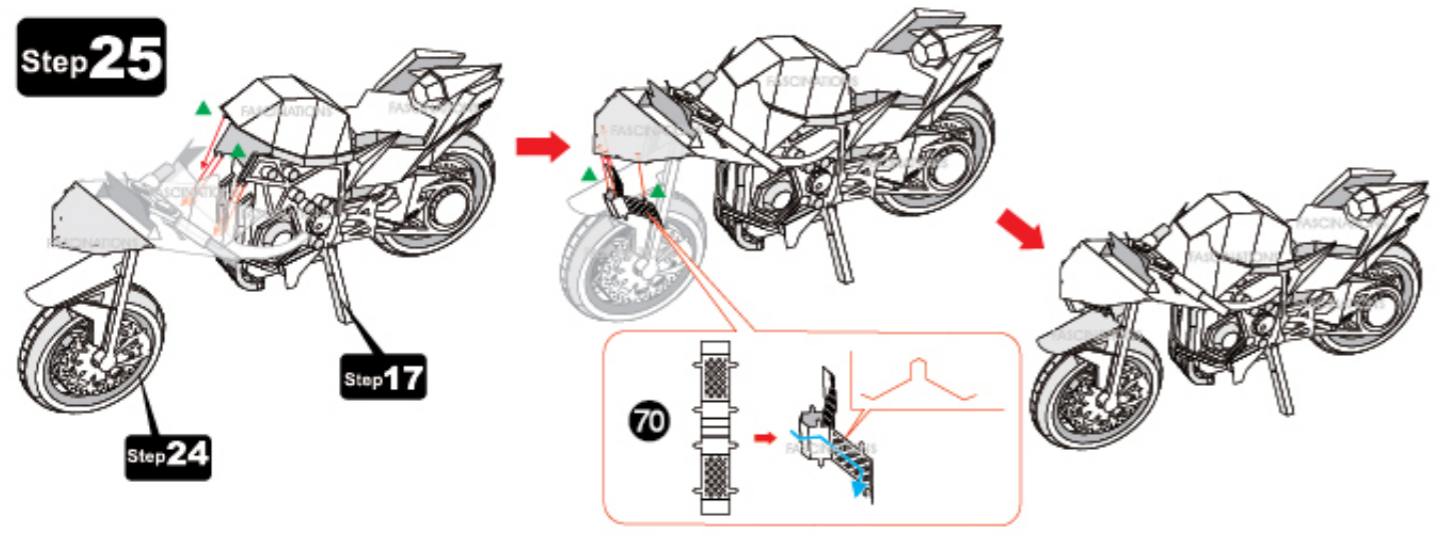
Step 24



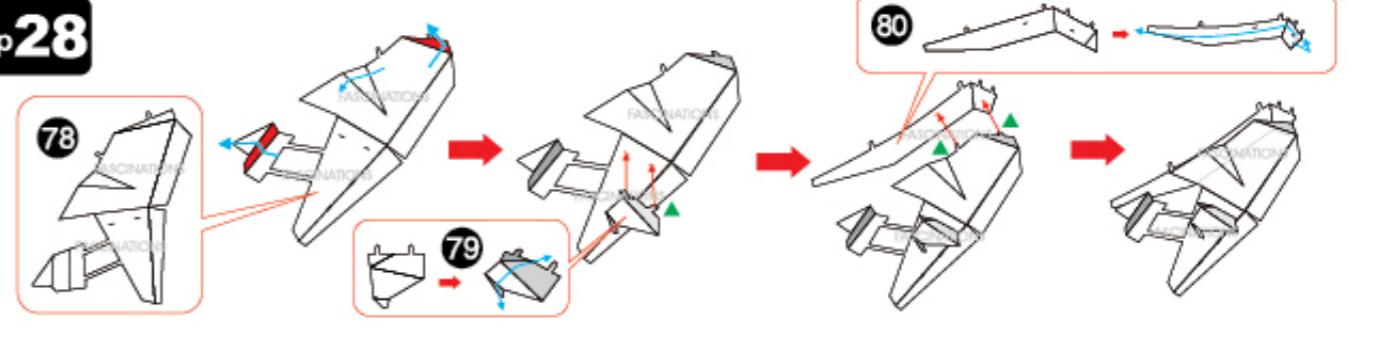
Step 27



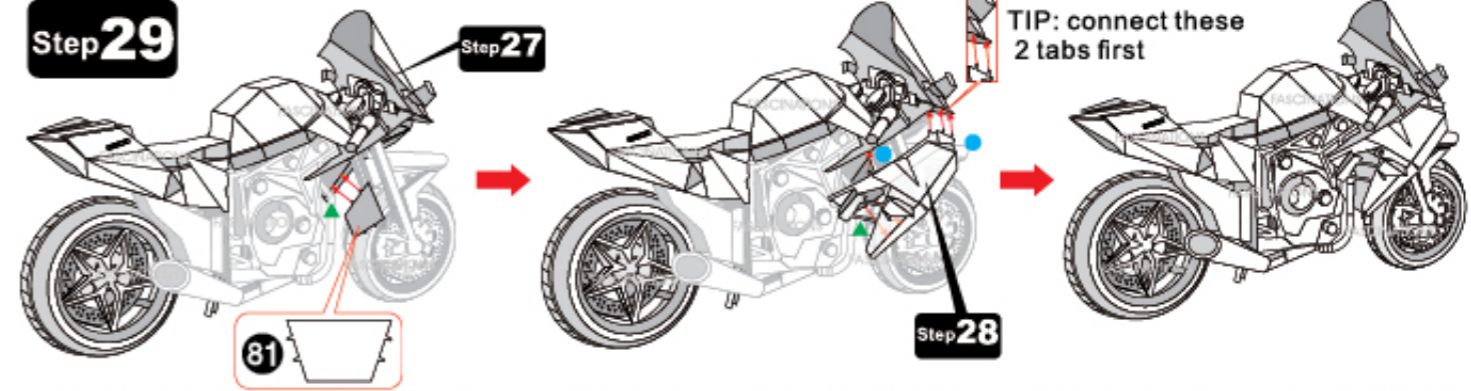
Step 25



Step 28



Step 29



Step 26

