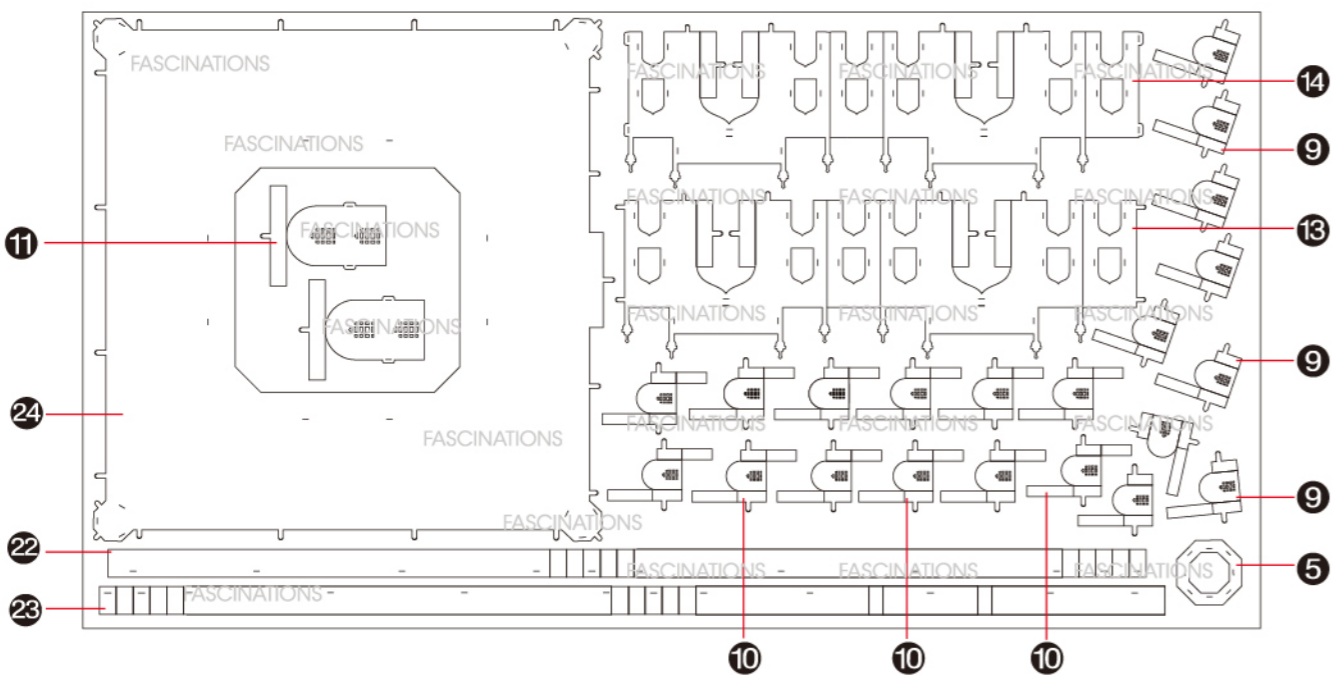
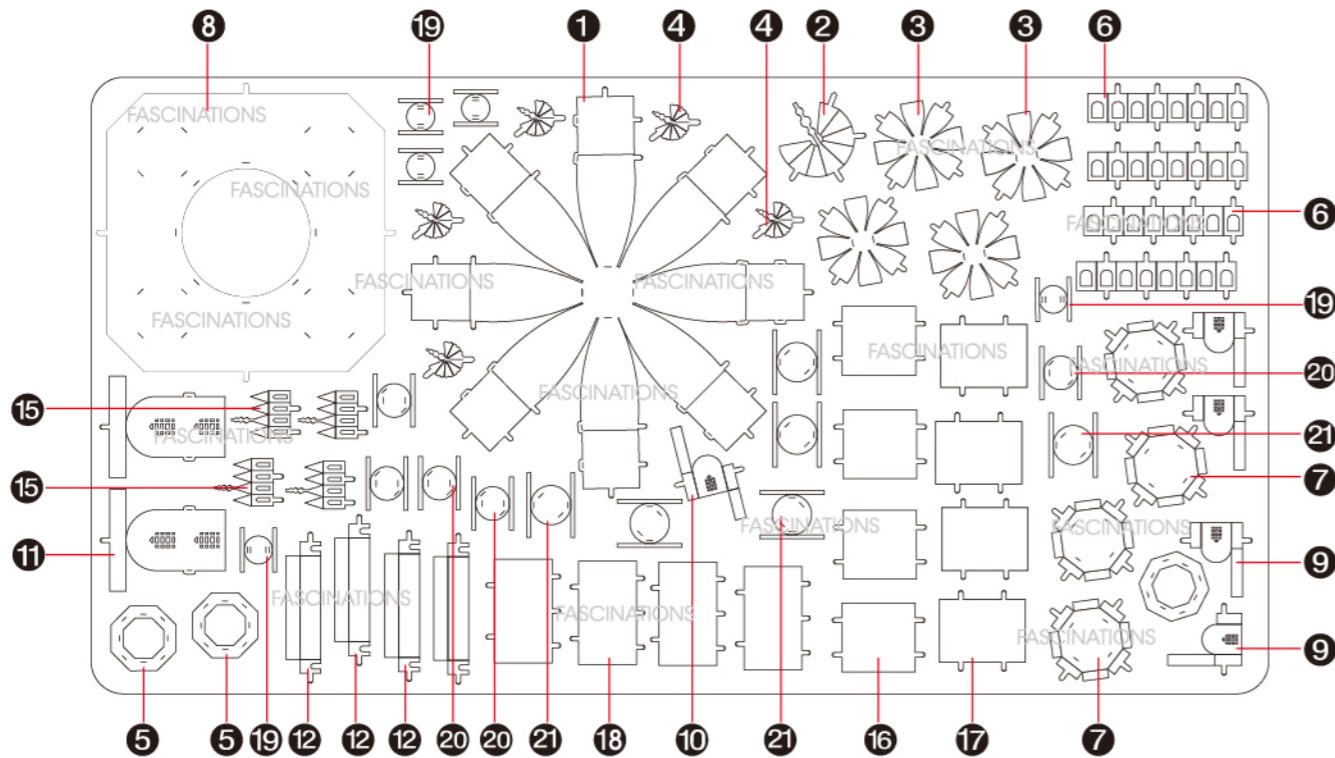




It is highly recommended that you visit www.metalearth.com/360/icx004 to see the completed model before assembling your own

3D METAL MODEL KITS

METAL SHEETS

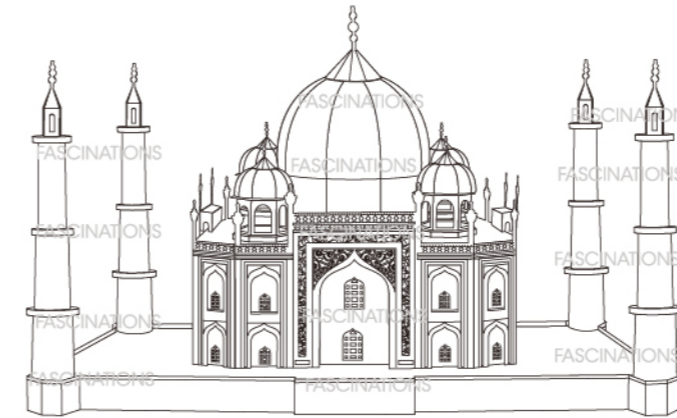


In order to avoid possible injury from sharp edges, please carefully discard the metal sheets after parts have been removed.

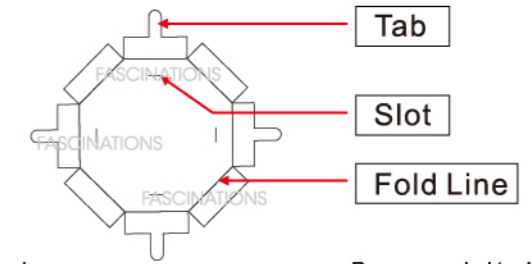
ICX004



Taj Mahal



TO CREATE THE BEST CONNECTIONS



Legends:

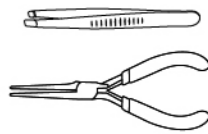
- Engraved side
- Non-engraved side
- Attention point
- Insert tab and bend 90 degrees
- Insert tab and twist 90 degrees

Recommended tools:

-Wire cutters: helpful for taking parts from the metal sheets.



-Tweezers or needle nose pliers: helpful for folding parts, bending and twisting tabs.

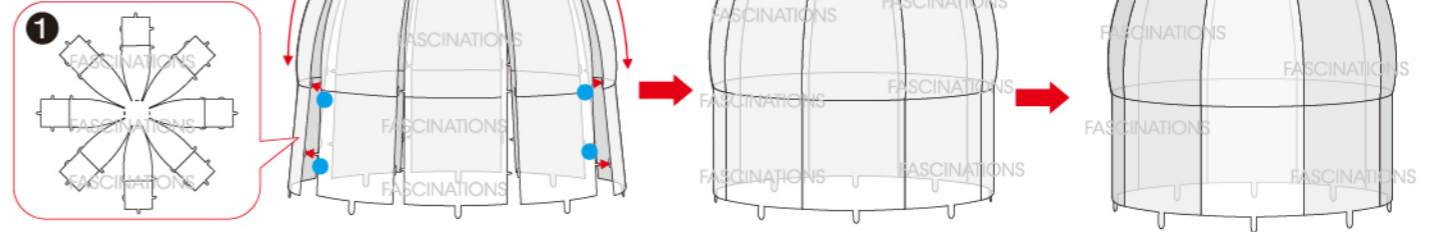


Assembly tip:

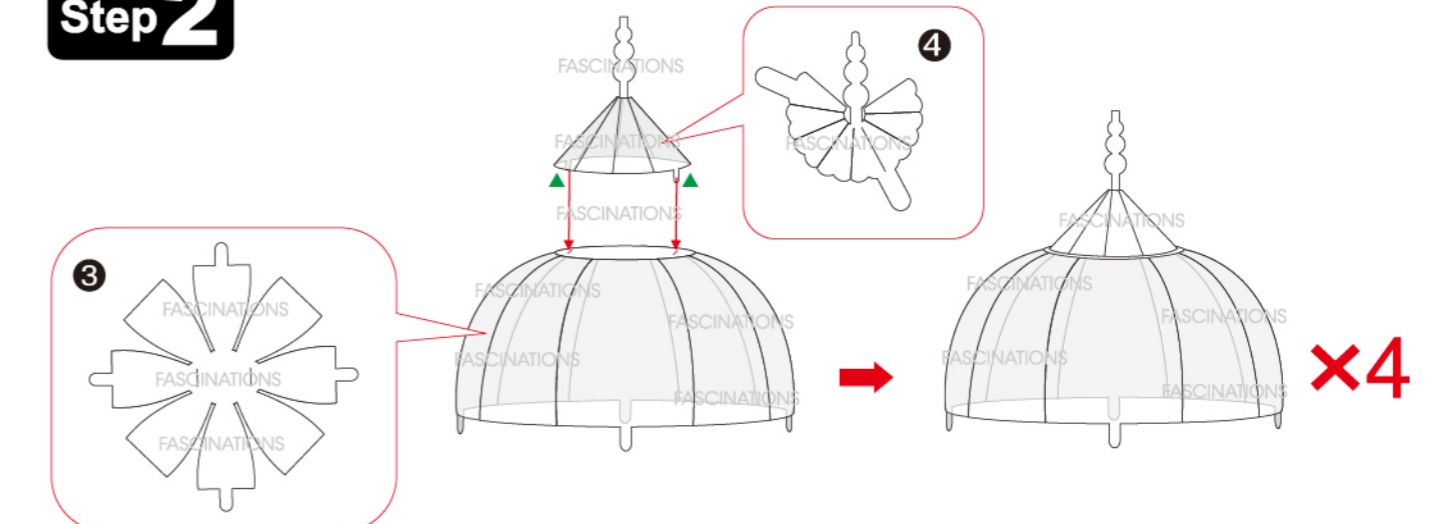
If needed, slightly twist tabs to hold parts together then untwist and bend them down for a nice finish

ASSEMBLY STEPS

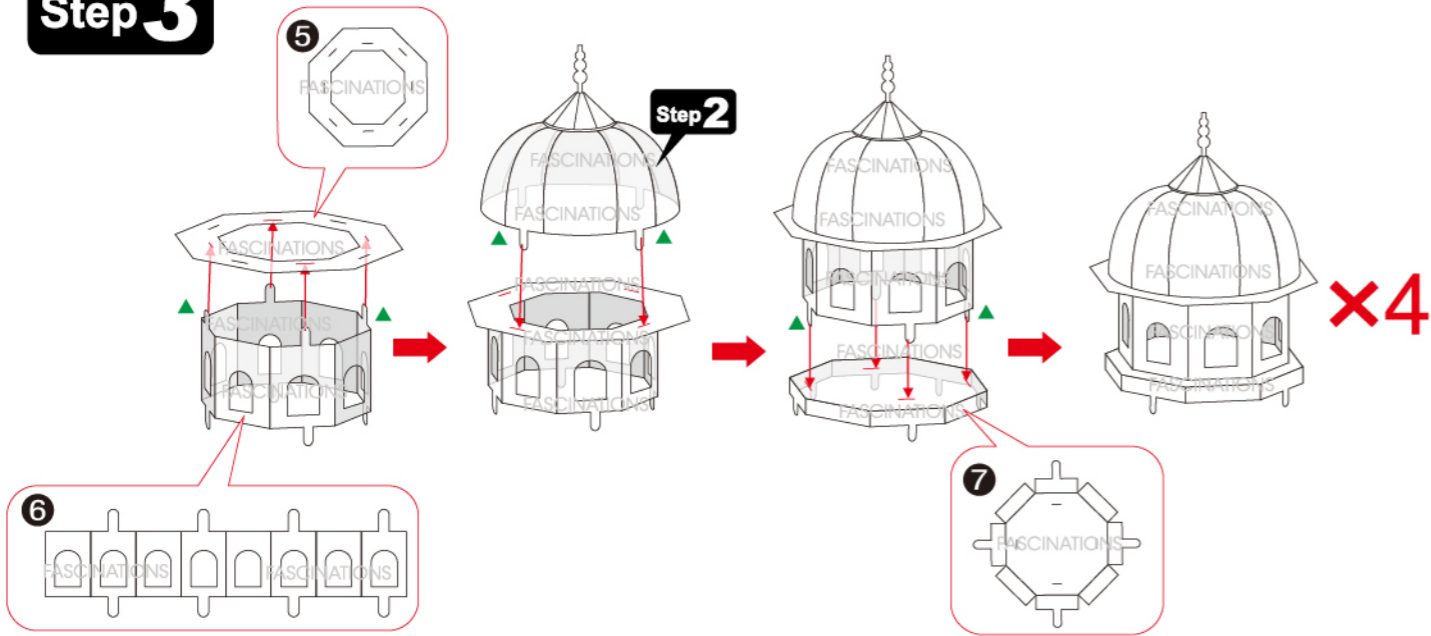
Step 1



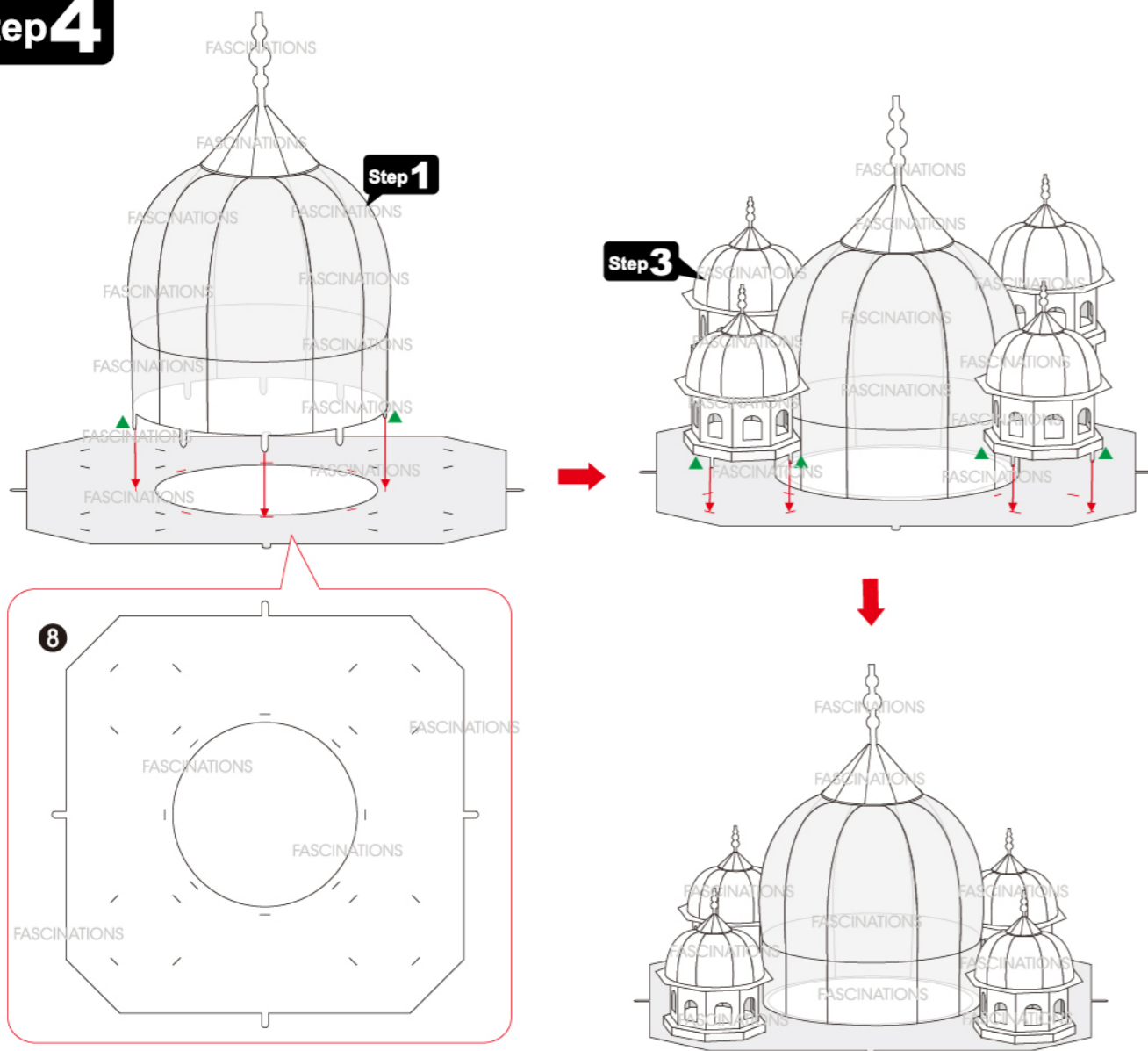
Step 2



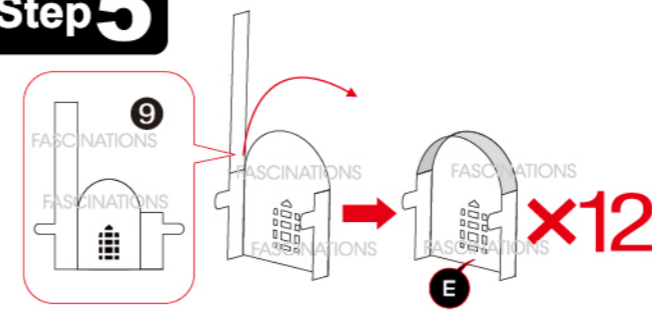
Step 3



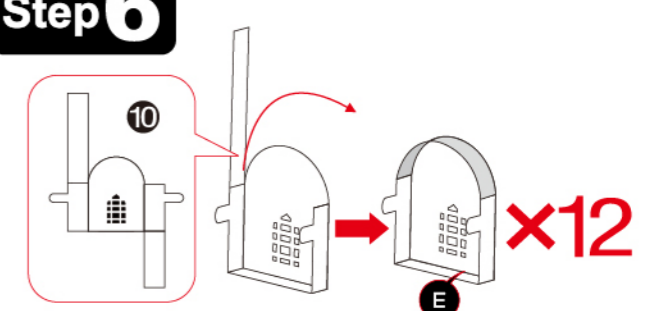
Step 4



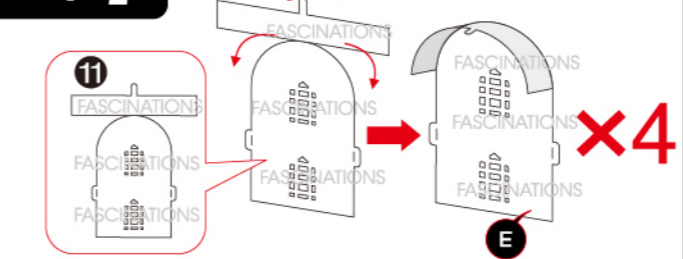
Step 5



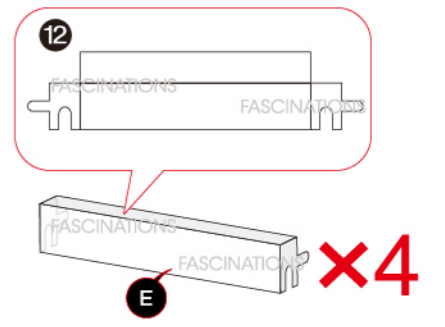
Step 6



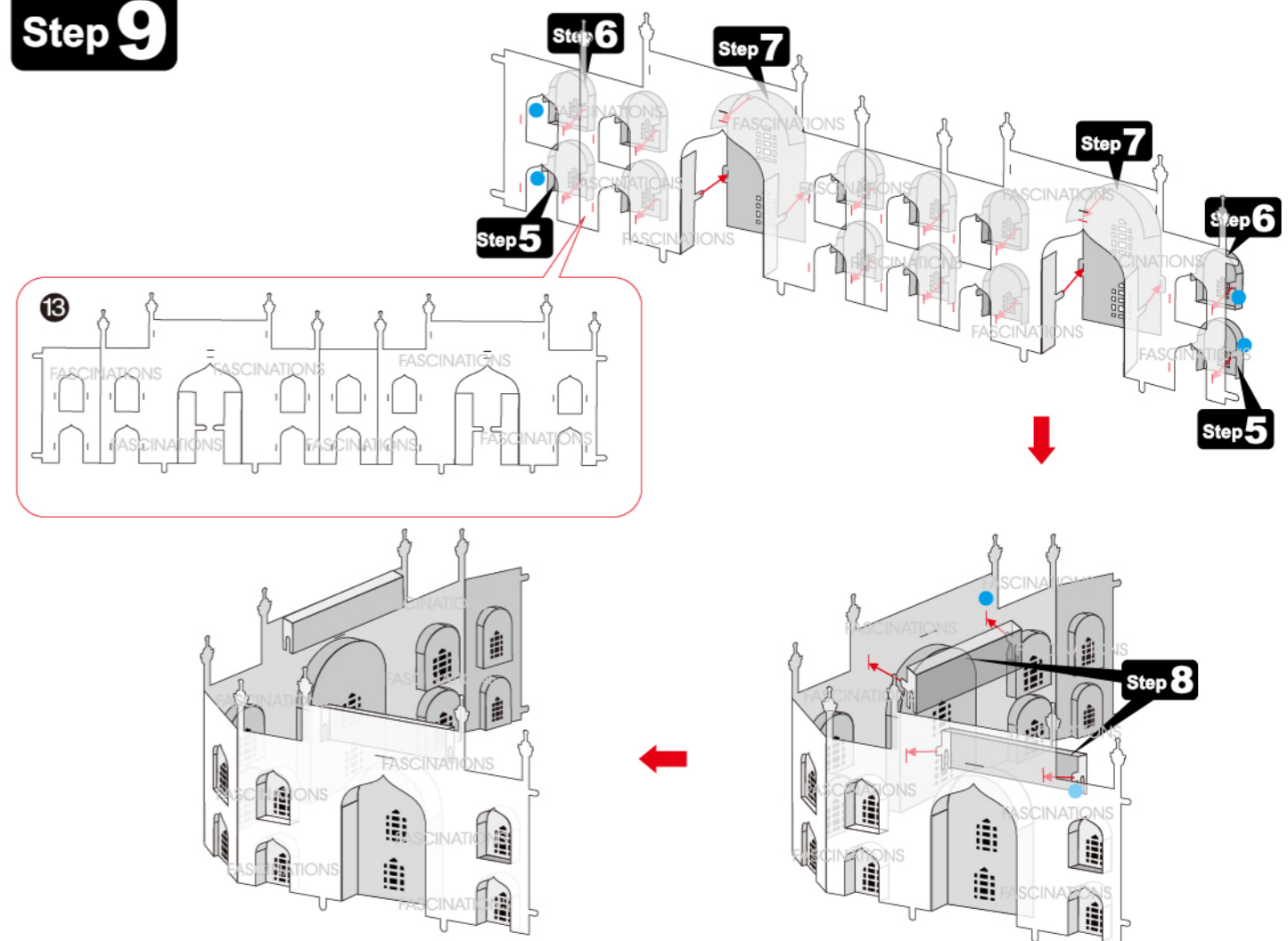
Step 7



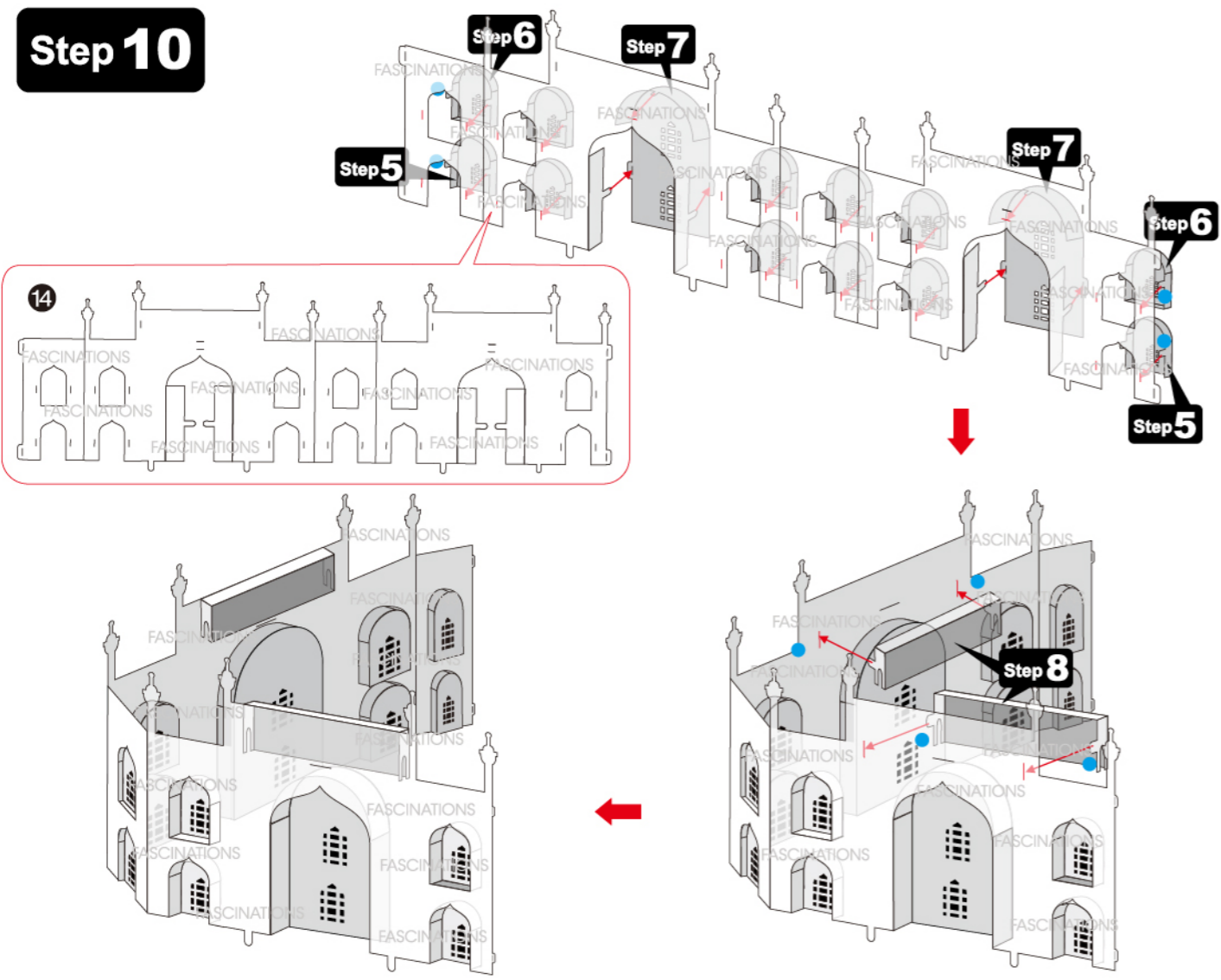
Step 8



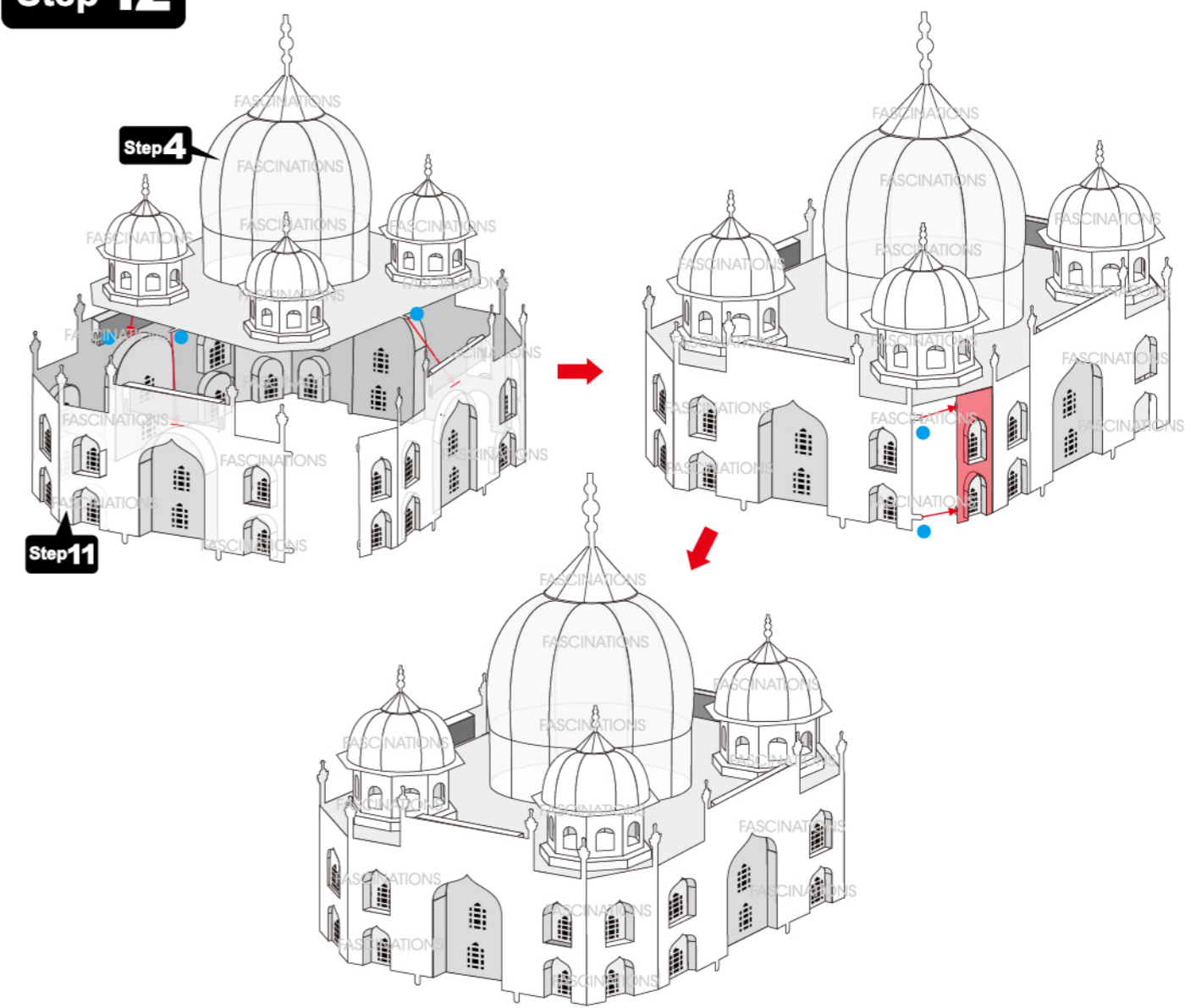
Step 9



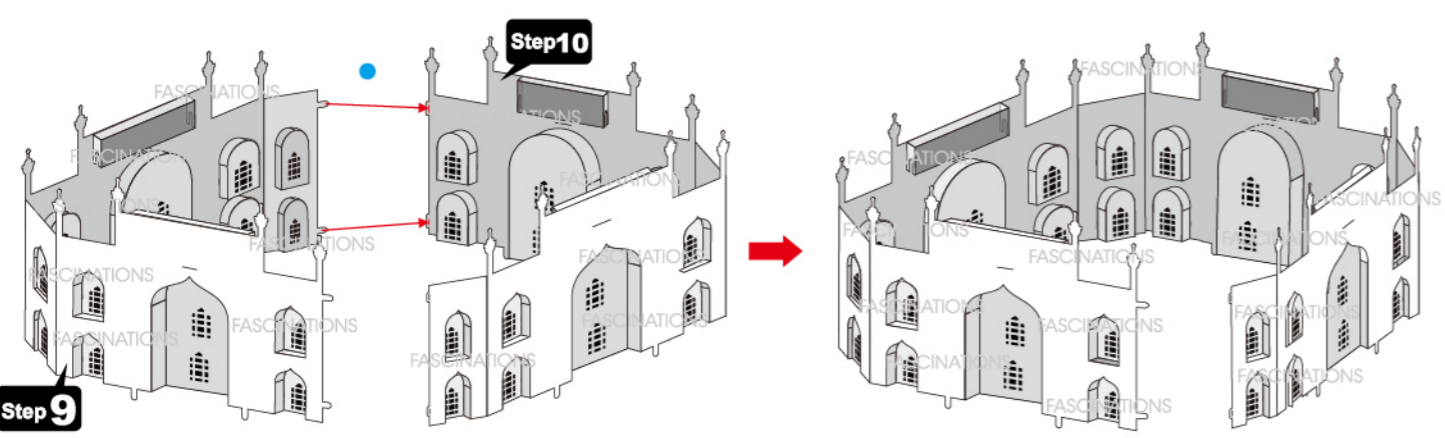
Step 10



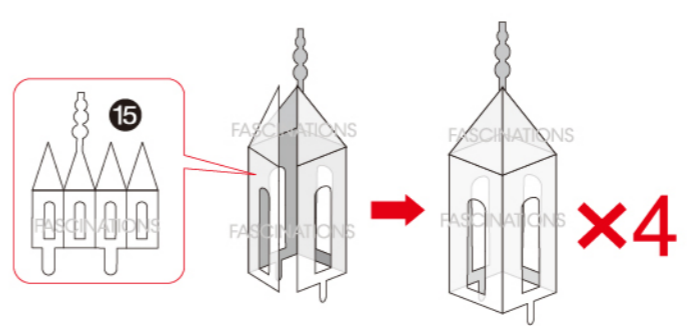
Step 12



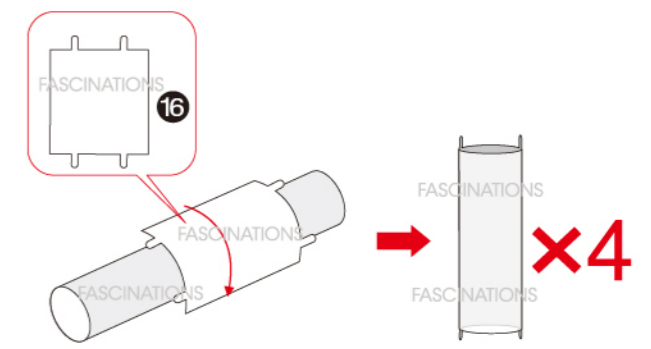
Step 11



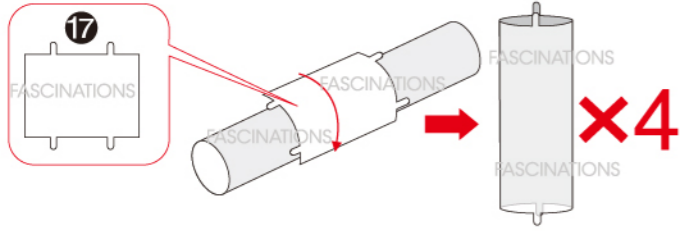
Step 13



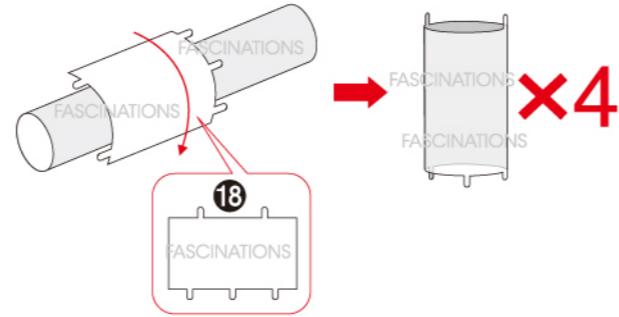
Step 14



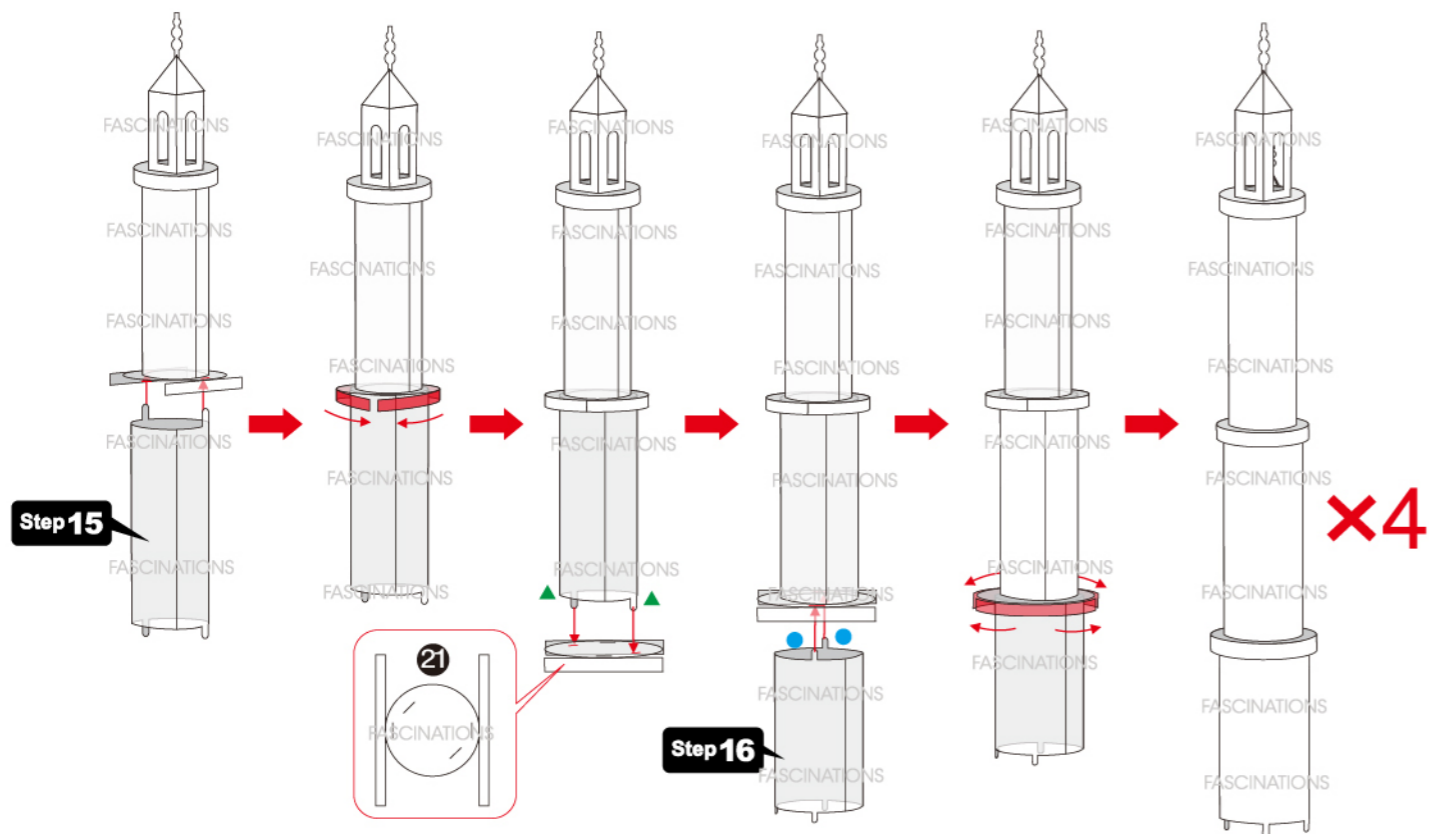
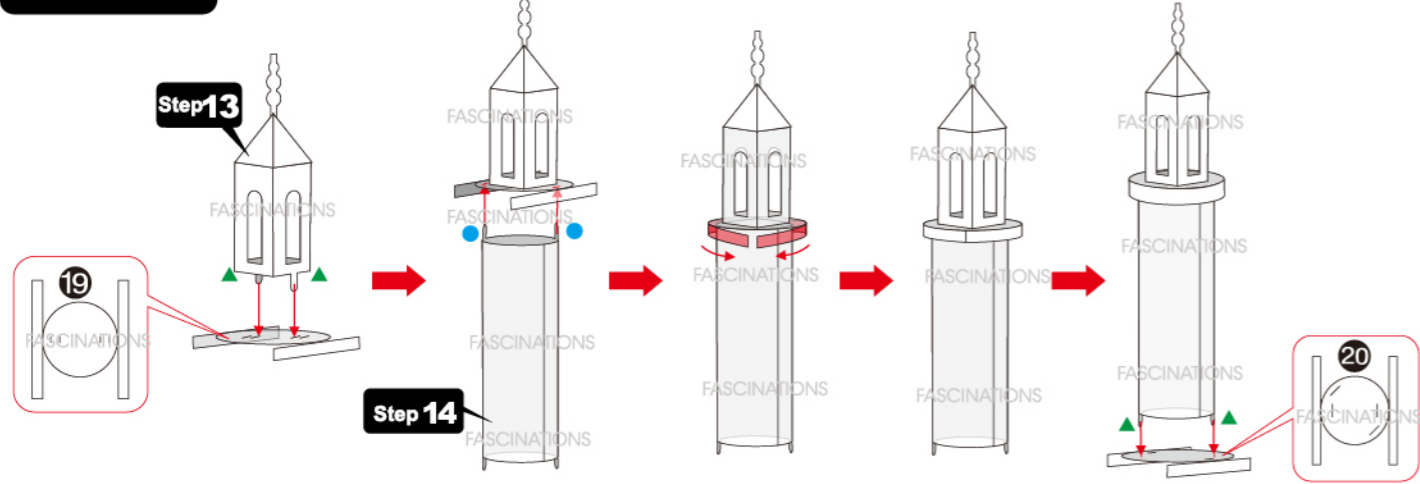
Step 15



Step 16



Step 17



Step 18

